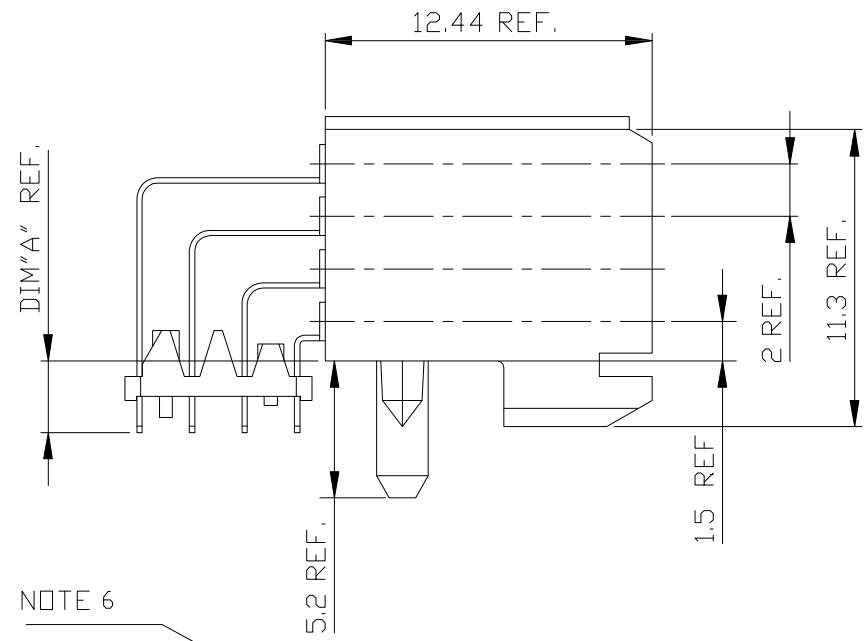
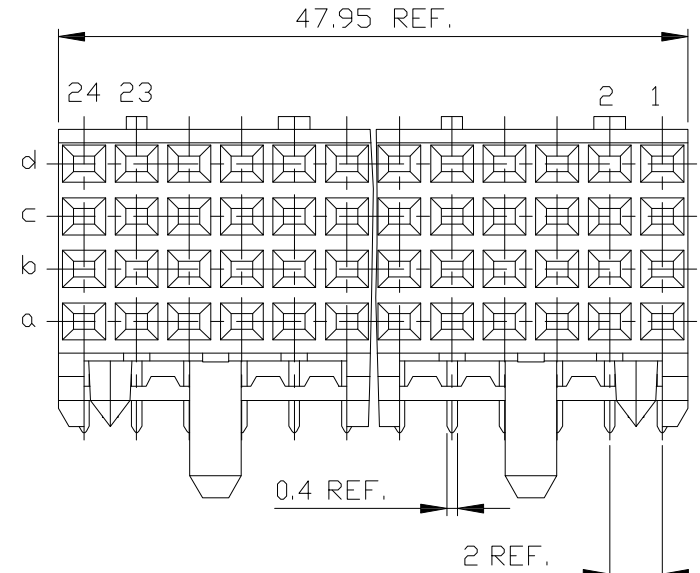
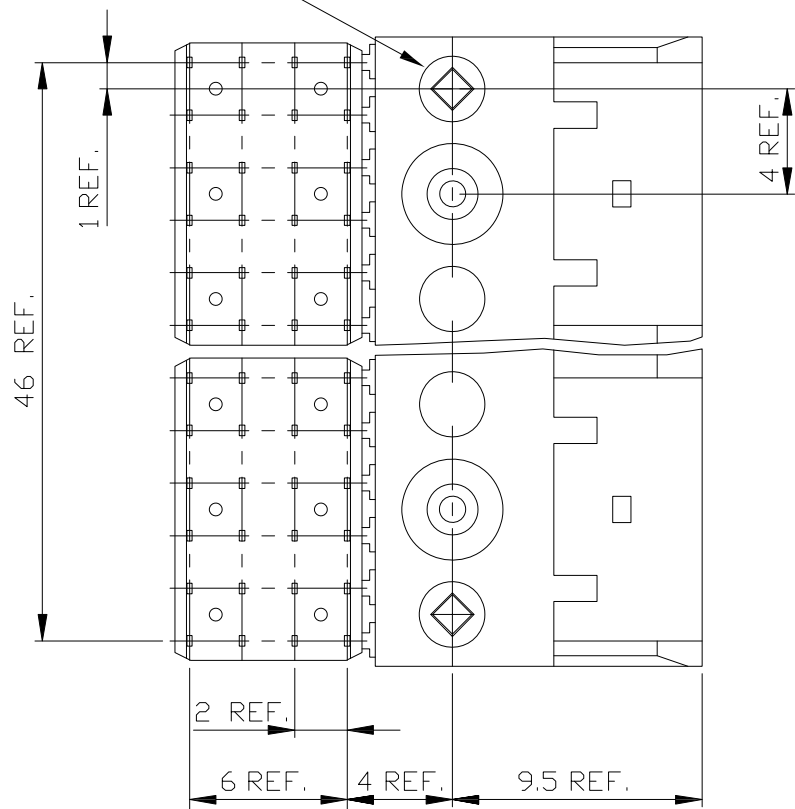


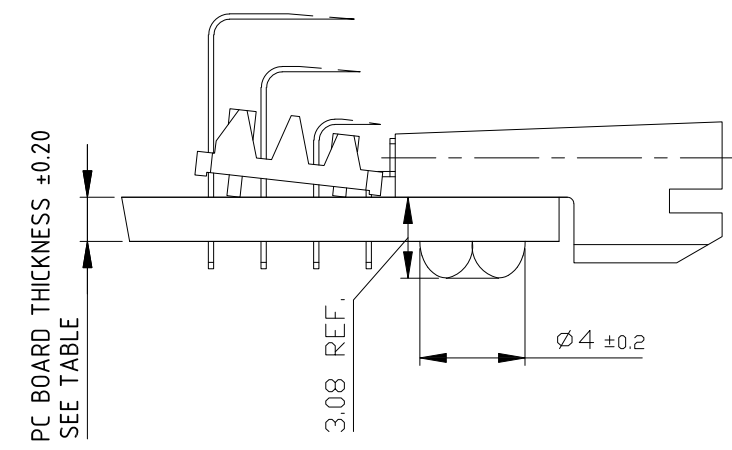
PC BOARD VERSIONS		
PRODUCTNR:	PCB THICKNESS	DIM"A"
70229-X01LF	1.6	2.90
70229-X11LF	2.4	3.53



NOTE 6

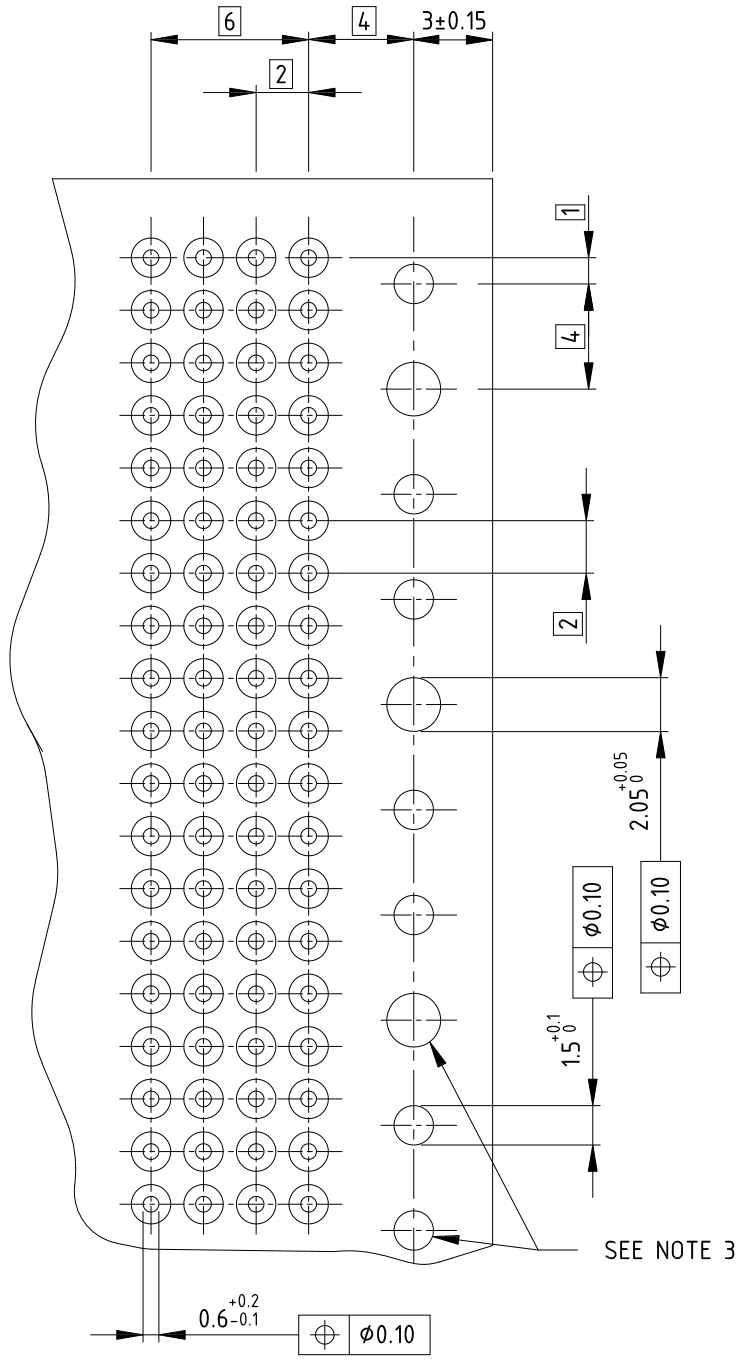


PRODUCT AFTER HOT RIVETTING



PART NUMBER : 70229-XYLFF

REFER NOTE 2  $\triangle$ P



RECOMMENDED HOLE PATTERN, COMPONENT SIDE.

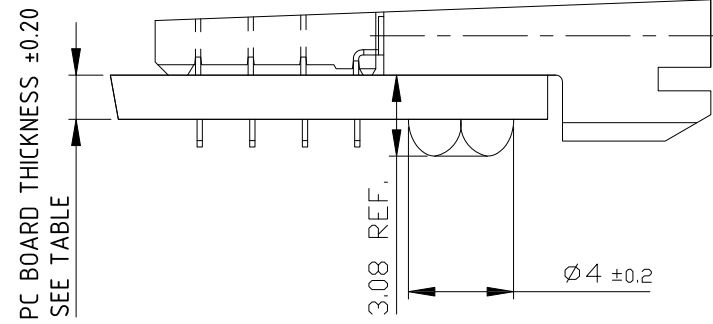
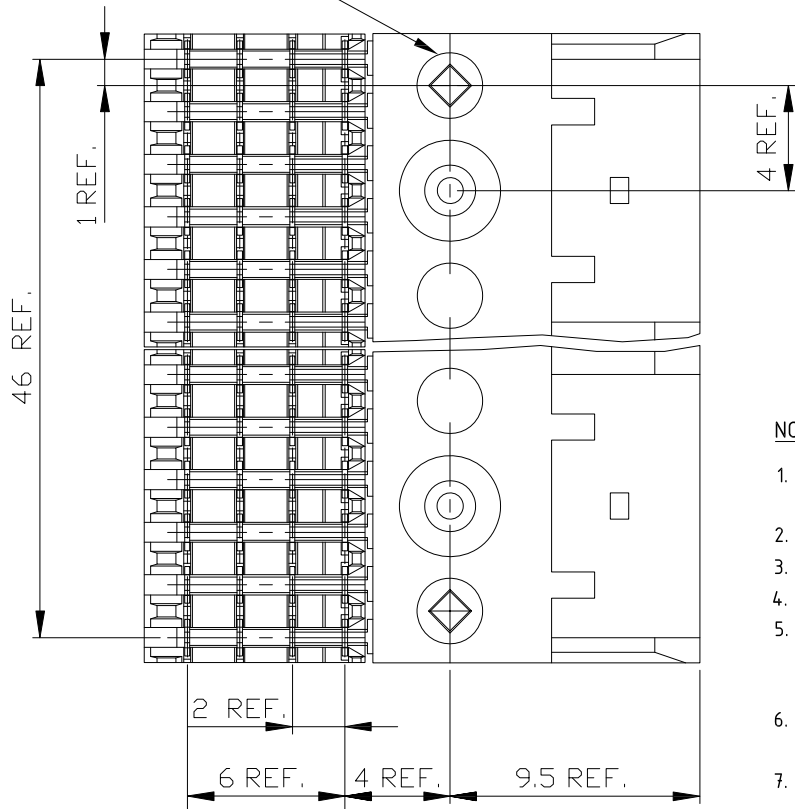
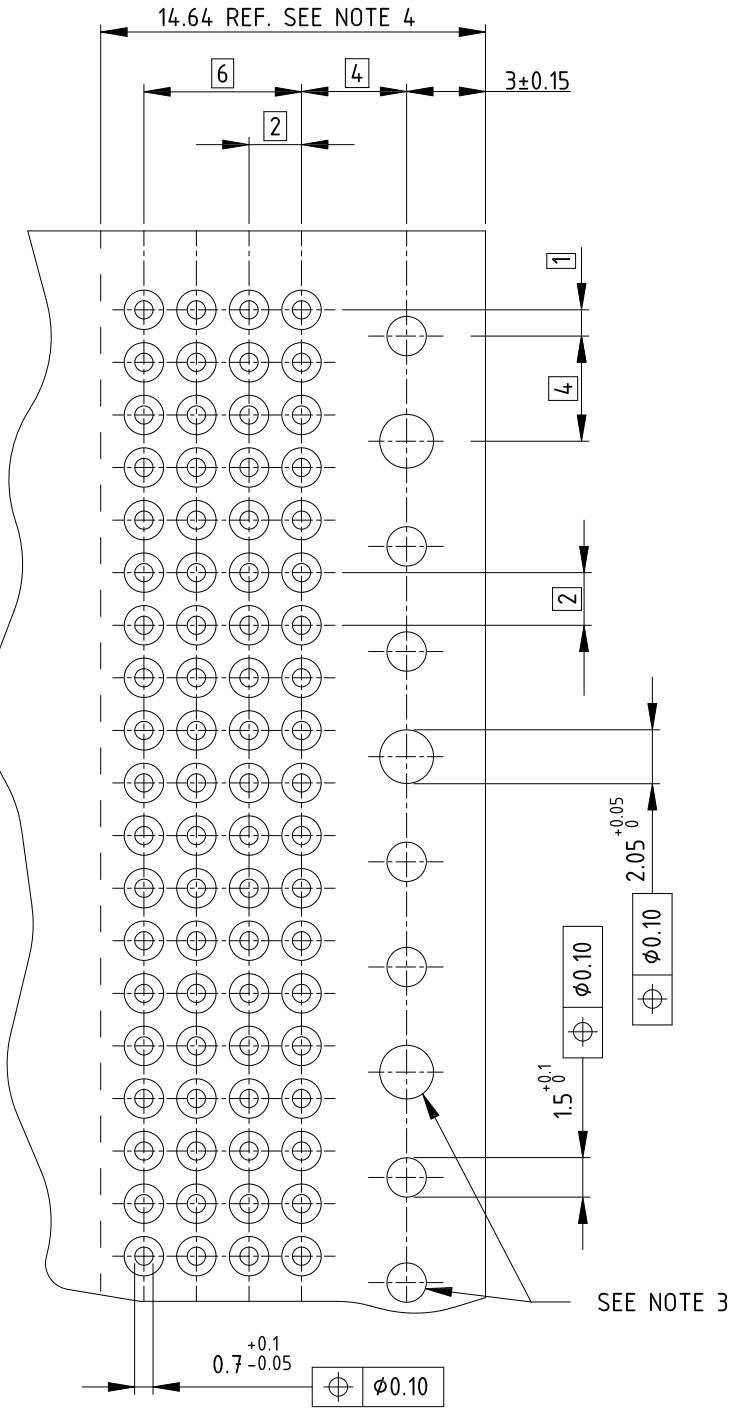
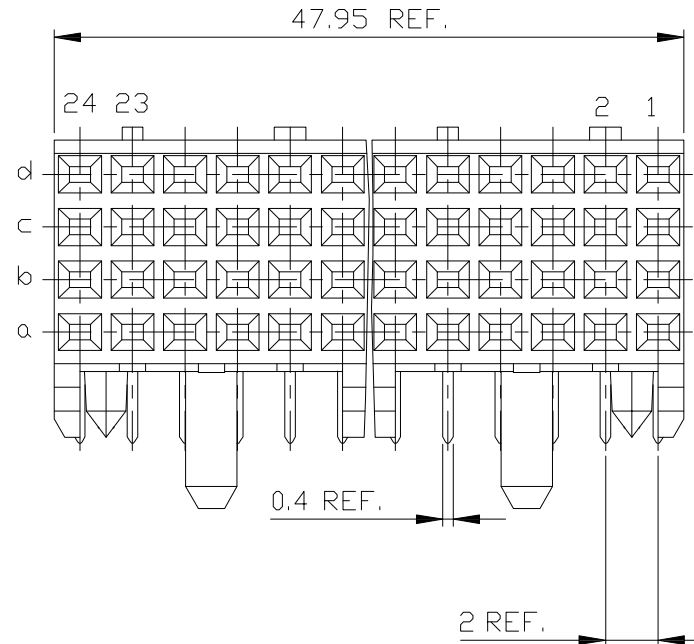
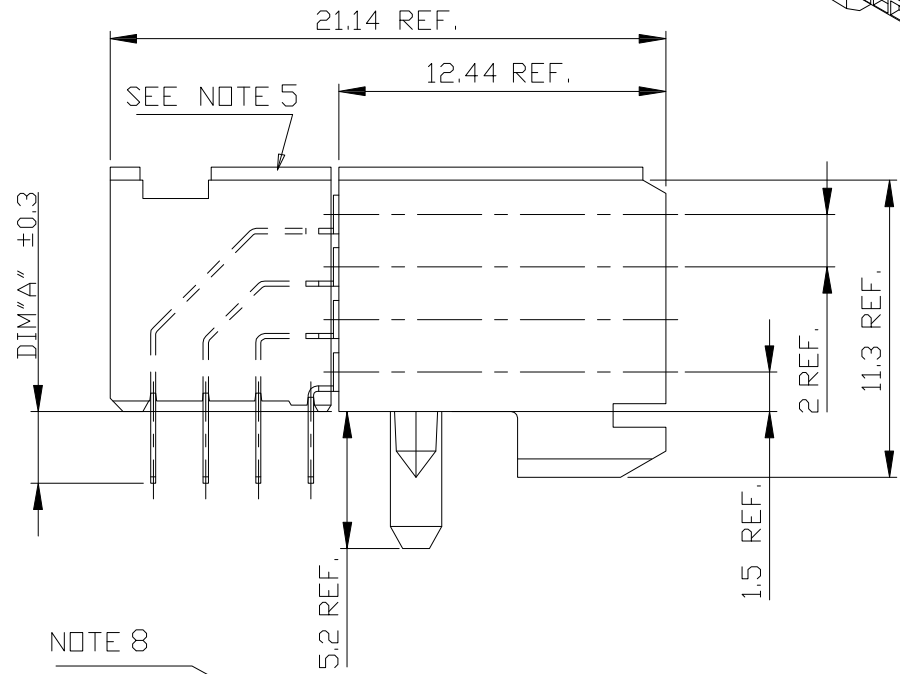
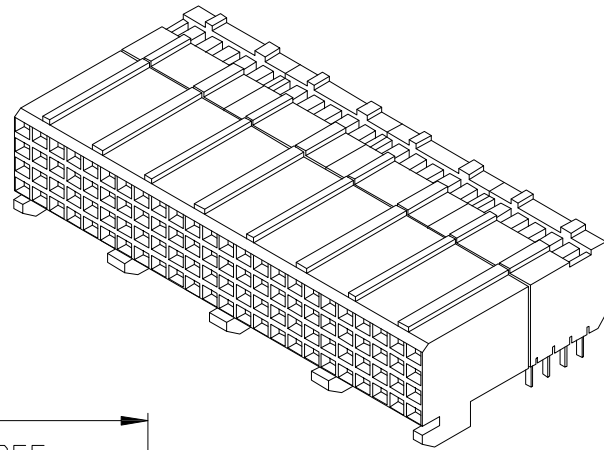
SEE NOTE 3

NOTES:

- MATERIAL : BODY : LCP UL94-V0  
: CONTACT : COPPER ALLOY.
- FOR PLATING PERFORMANCE REFER DRAWING # 10159408.  $\triangle$ A
- INDICATED HOLES ARE UNPLATED.
- THIS PRODUCT MEETS EUROPEAN UNION DIRECTIVES AND OTHER COUNTRY REGULATIONS AS DESCRIBED IN GS-47-0004.
- THE HOUSING WILL WITHSTAND EXPOSURE TO 260° PEAK TEMPERATURE FOR 10 SECONDS IN A WAVE SOLDER APPLICATION.
- DIAMOND LOCATION PEG ARE ONLY EXISTED ON THE BOTH SIDES OF PRODUCT.
- $\triangle$ A SYMBOL WILL BE NEXT TO ANY DIMENSION, VIEW, OR NOTE WHICH HAS BEEN MODIFIED WITH THE CURRENT DRAWING REVISION.

mat'l. code		surface		tolerance		projection		product family			
		ISO 1302 <input checked="" type="checkbox"/>		ISO 406 ISO 1101				METRAL (fm)			
ltr		ecn no	dr	date	tolerances unless otherwise specified		title		sheet 1 of 3		
K	DG04-0104	CLU		2004-12-21	0±0.3		RA FEMALE SIGNAL		size		
L	DG06-0477	CENH		2006-11-20	linear 0.00±0.13		STB 48mm VERSION		A2		
M	DG07-0168	CENH		2007-05-08	0°±2°		dwg no		70229		
N	DG09-0068	CENH		2009-06-06	dr		ARUN		2020-11-12		
P	ELX-1-38935	MINI		2020-11-12	engr		ALEX		2020-11-12		
						appd		SAN0J		2020-11-12	
sheet index		revision sheet		P P		P		type		Product Customer Drawing	
		1 2		3							

PC BOARD VERSIONS		
PRODUCTNR:	PCB THICKNESS	DIM"A"
70229-X02LF	1.6	2.90
70229-X12LF	2.4	3.53



**NOTES:**

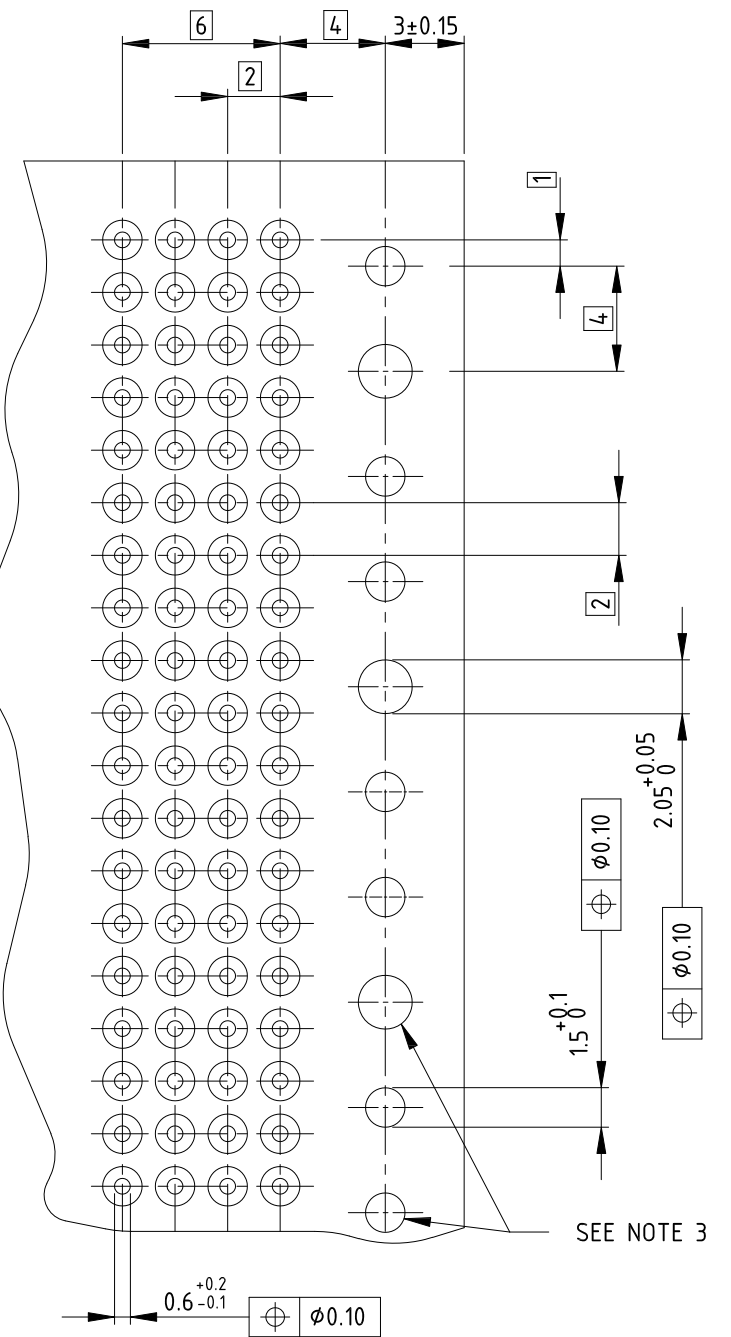
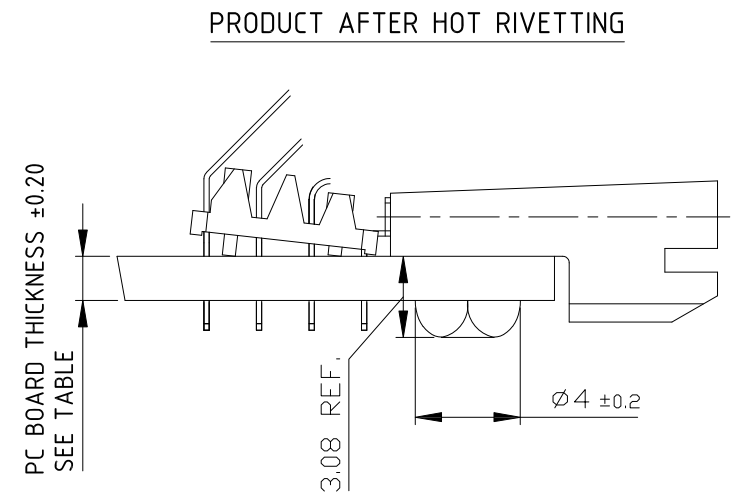
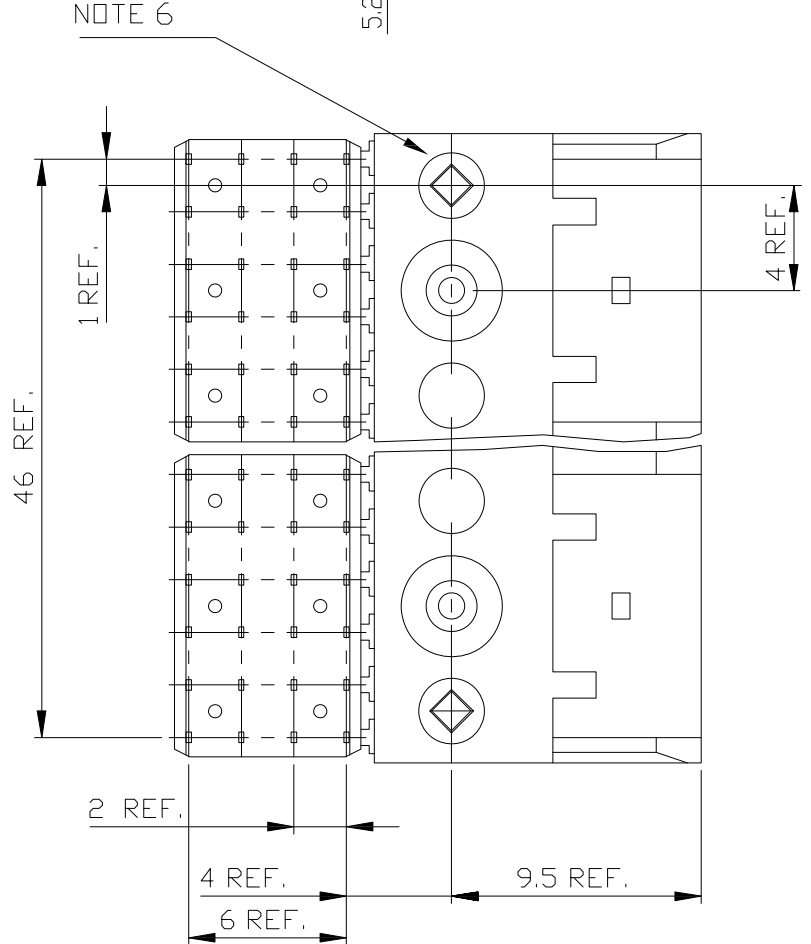
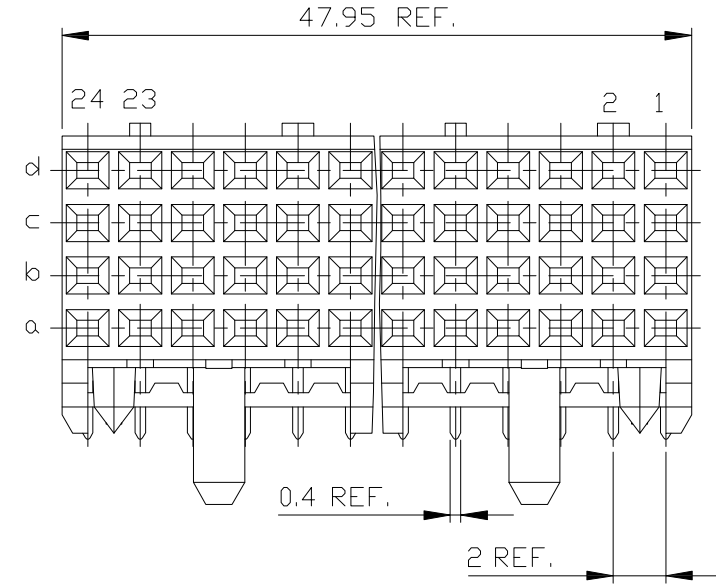
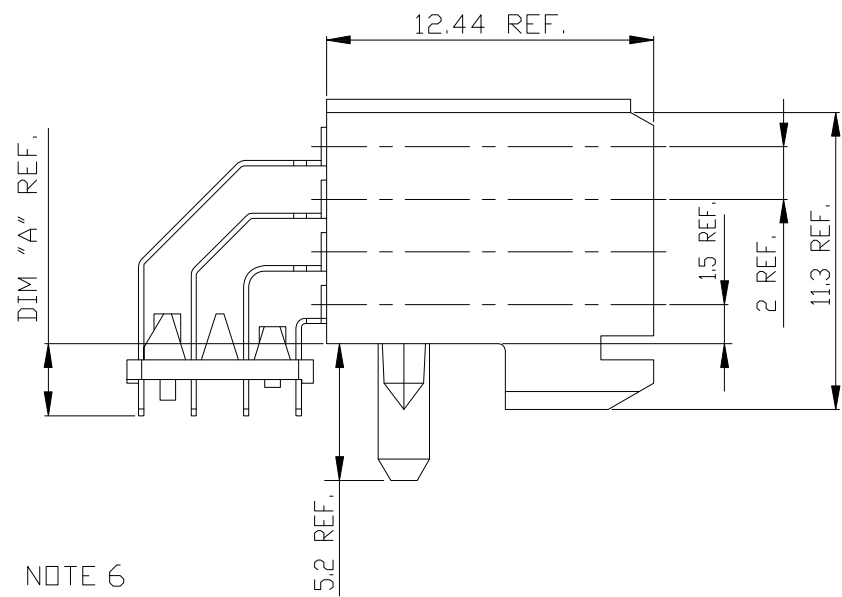
1. MATERIAL : BODY : LCP UL94-V0  
: CONTACT : COPPER ALLOY.
2. FOR PLATING PERFORMANCE REFER DRAWING # 101594.08  $\Delta$
3. INDICATED HOLES ARE UNPLATED
4. SET BACK FOR TAIL BLOCK
5. TOP SURFACE OF PRESS BLOCK MAY EXTEND UP TO 0.4MM HIGHER THAN HOUSING. THIS MAY AFFECT THE TAIL LENGTH BEFORE APPLICATION TO A BOARD.
6. THIS PRODUCT MEETS EUROPEAN UNION DIRECTIVES AND OTHER COUNTRY REGULATIONS AS DESCRIBED IN GS-47- 0004
7. THE HOUSING WILL WITHSTAND EXPOSURE TO 260° PEAK TEMPERATURE FOR 10 SECONDS IN A WAVE SOLDER APPLICATION
8. DIAMOND LOCATION PEG ARE ONLY EXISTED ON THE BOTH SIDES OF PRODUCT.
9.  $\Delta$ SYMBOL WILL BE NEXT TO ANY DIMENSION, VIEW, OR NOTE WHICH HAS BEEN MODIFIED WITH THE CURRENT DRAWING REVISION.

PART NUMBER : 70229-XYLF

REFER NOTE 2  $\Delta$  P

mat'l. code		surface		tolerance		projection		product family	
		ISO 1302 <input checked="" type="checkbox"/>		ISO 406 ISO 1101				METRAL (fm)	
ltr		ecn no	dr	date	tolerances unless otherwise specified		title		
K	DG04-0104	CLU		2004-12-21	0±0.3		RA FEMALE SIGNAL		
L	DG06-0477	CENH		2006-11-20	.00±0.13		STB 48mm VERSION		
M	DG07-0168	CENH		2007-05-08	0°±2°		dwg no		sheet 2 of 3
N	DG09-0068	CENH		2009-06-06	dr		ARUN		2020-11-12
P	ELX-I-38935	MINI		2020-11-12	engr		ALEX		2020-11-12
						chr		SANJ	
						appd			
sheet index		revision	P	P	P	Amphenol FCI		70229	
		sheet	1	2	3	type		Product Customer Drawing	

PC BOARD VERSIONS		
PRODUCTNR:	PCB THICKNESS	DIM "A"
70229-X03LF	1.6	2.90
70229-X13LF	2.4	3.53



**NOTES:**

- MATERIAL : BODY : LCP UL94-V0  
: CONTACT : COPPER ALLOY.
- FOR PLATING PERFORMANCE REFER DRAWING # 10159408.
- INDICATED HOLES ARE UNPLATED.
- THIS PRODUCT MEETS EUROPEAN UNION DIRECTIVES AND OTHER COUNTRY REGULATIONS AS DESCRIBED IN GS-47-0004.
- THE HOUSING WILL WITHSTAND EXPOSURE TO 260° PEAK TEMPERATURE FOR 10 SECONDS IN A WAVE SOLDER APPLICATION.
- DIAMOND LOCATION PEG ARE ONLY EXISTED ON THE BOTH SIDES OF PRODUCT.
- A WILL BE NEXT TO ANY DIMENSION, VIEW, OR NOTE WHICH HAS BEEN MODIFIED WITH THE CURRENT DRAWING REVISION.

REFER NOTE 2

PART NUMBER : 70229-XYLFF

mat'l. code		surface		tolerance		projection		product family	
		ISO 1302 <input checked="" type="checkbox"/>		ISO 406 ISO 1101				METRAL (fm)	
ltr		ecn no		date		tolerances unless otherwise specified		title	
K	DG04-0104	CLU	2004-12-21			0±0.3		RA FEMALE SIGNAL	
L	DG06-0477	CENH	2006-11-20	angles		linear		STB 48mm VERSION	
M	DG07-0168	CENH	2007-05-08	0°±2°		mm		dwg no	
N	DG09-0068	CENH	2009-06-06	dr		HEAVEN CEN 1990-09-18		sheet 3 of 3	
P	ELX-1-38935	MINI	2020-11-12	engr		ARUN 2020-11-12		size	
				chr		ALEX 2020-11-12		A2	
				appd		SANJ 2020-11-12		type	
								Product Customer Drawing	
sheet index	revision sheet	P	P	P					
		1	2	3					