

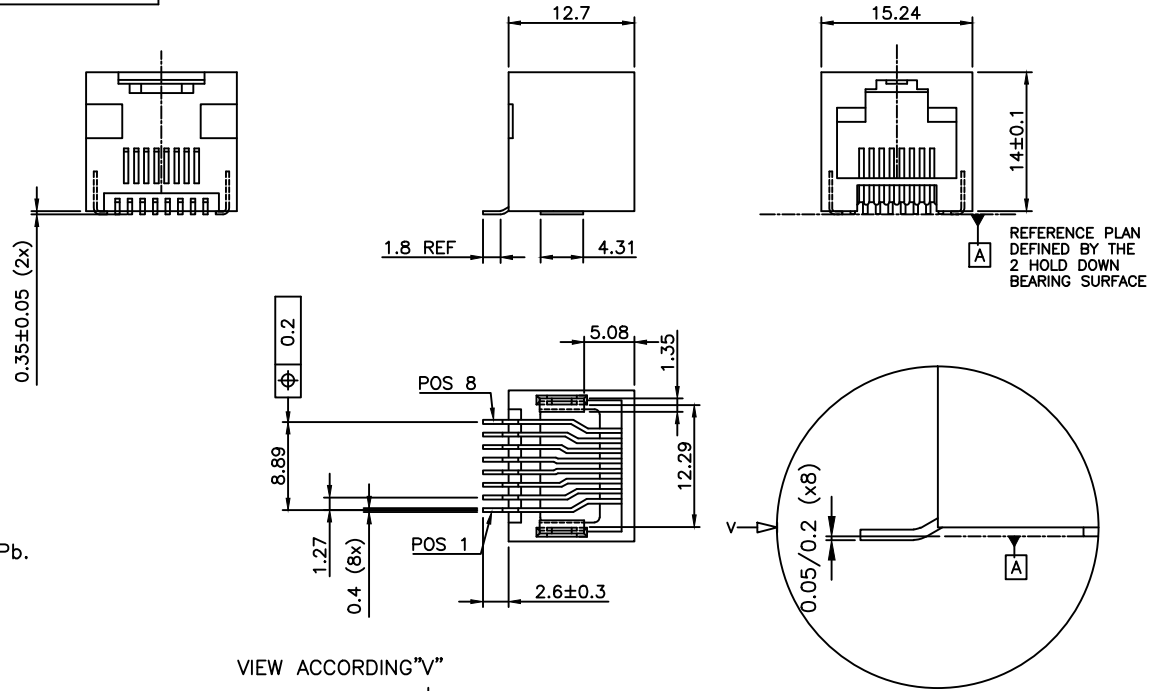
PRODUCT NUMBER  
73333-XXXLF

PLATING OPTION
1= GXT 0.76 $\mu$ m
3= GOLD 0.76 $\mu$ m
5= GOLD 1.27 $\mu$ m

PACKAGE OPTION
1= TAPE ON REEL
2= TUBE
3= TAPE ON REEL IN PLASTIC BAG

TERMINAL LOADING
1= FULLY LOADED
2= POS 1,2,7,8
3= POS 3,4,5,6

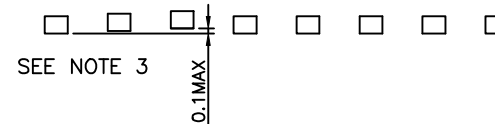
WHEN NEEDED, SUFFIX LETTER "LF" INDICATES THE PRODUCT IS RoHS COMPATIBLE, SEE NOTE 4.



NOTES:

- 1 - MATERIAL: HOUSING: HIGH TEMP. PCT, COLOUR BLACK.  
TERMINAL: PHOSPHOR BRONZE.
- 2 - PLATING: CONTACT AREA: SEE TABLE.  
SOLDER TAIL : 90/10 SnPb 2 $\mu$ m MIN.  
WHEN SUFFIX "LF" IS REQUIRED 2 $\mu$ m MIN MATTE TIN OVER 1.27 MIN Ni IS SUPPLIED INSTEAD OF SnPb.  
NO RAW EDGES EXCEPT SOLDER TAIL TIPS
- 3 - SOLDER TAILS COPLANARITY : 0.1 mm
- 4 - RoHS COMPATIBLE PRODUCT SPECIFICATIONS
  - a - PLATING:
    - "LF" MEANS THE PRODUCT IS LEAD-FREE, 2 $\mu$ m MINIMUM MATTE TIN OVER 1.27 $\mu$ m MINIMUM NICKEL UNDERPLATE.
  - b - MANUFACTURING PROCESS COMPATIBILITY
    - THE HOUSING WILL WITHSTAND EXPOSURE TO 245°C PEAK TEMPERATURE FOR 30 SECONDS MAX IN A CONVECTION, INFRA-RED OR VAPOR PHASE OR REFLOW OVEN.
- c - LABELING:
  - MEETS PACKAGING SPECS AS PER GS-14-920
- d - LEGAL STATEMENT: SEE GS-47-0004
- 5 - PACKAGING FOR OPTION 3 : EACH REEL IS WRAPPED INTO A PLASTIC BAG TO PROTECT FROM MOISTURE DURING STACKING TIME.

VIEW ACCORDING "V"



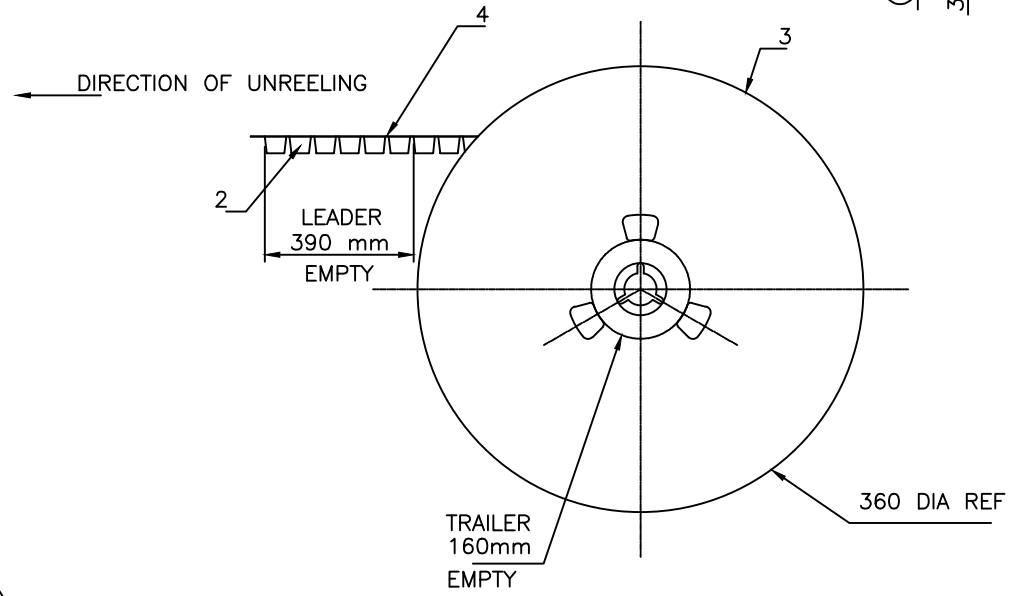
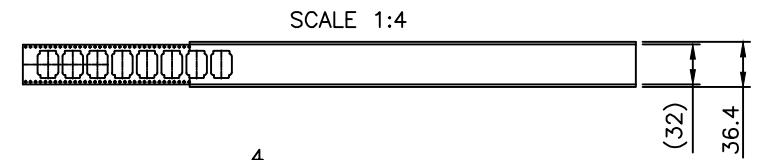
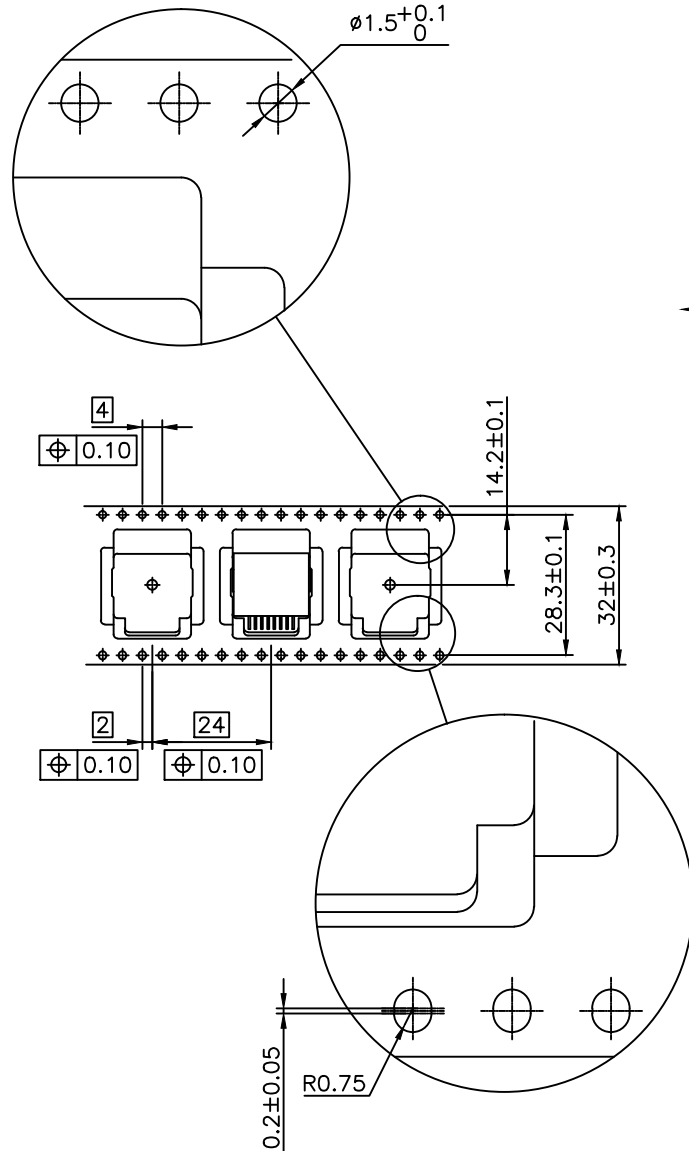
SEE NOTE 3

CUSTOMER COPY FOR REFERENCE ONLY

mat'l. code		surface		tolerance		projection		product family	
		ISO 1302		ISO 406 ISO 1101		mm		MODULAR JACK	
ltr		ecn no		dr		date		title	
H		F06-0240		DLE		06.07.18		SMT RA JACK	
J		F10-0238		APA		10.10.25		8 POS INSIDE	
K		B-15798		JFA		13.09.09		scale 2:1	
L		F-21888		AMA		15.09.09		dwg no	
				dr		D LEGRAND		sheet 1 of 3	
				enrg		P NIZZI		size	
F		F04-0363		DLE		04.10.19		73333	
G		F05-0247		DLE		05.09.12		A3	
				chr		D LEGRAND		type	
				appd		P NZ		CUSTOMER Drawing	
sheet		revision		L		D		B	
index		sheet		1		2		3	

PRODUCT NUMBER  
SEE SHEET 1

LTR	PART NAME	QTY
1	PRODUCT	230
2	TAPE	1
3	REEL	1
4	COVER TAPE	1



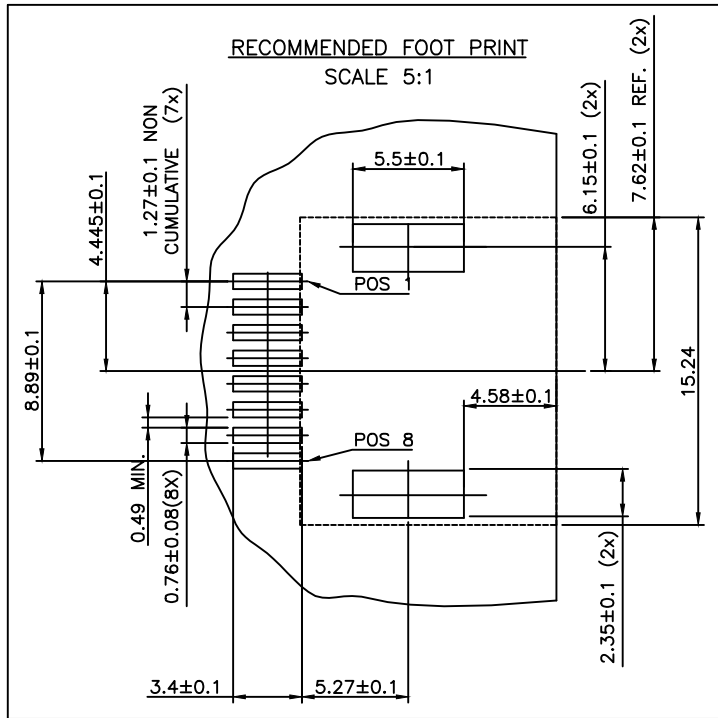
1- IN ACCORDANCE WITH EIA-481 AND IEC 296-3

CUSTOMER COPY FOR REFERENCE ONLY

mat'l. code		surface		tolerance		projection		product family	
		ISO 1302		ISO 406 ISO 1101				MOD-JACK	
ltr		ecn no		dr		date		title	
C		F80620		DLE		98.11.26		SMT RA JACK	
D		F06-0240		DLE		06.07.18		8 POS. INSIDE	
				angles		linear		scale 1:1	
				dr		D LEGRAND		06.07.18	
				engr		P NIZZI		06.07.18	
				chr		D LE		06.07.18	
				appd		P NZ		06.07.18	
sheet index		revision sheet						dwg no	
								73333	
								sheet 2 of 3	
								size	
								A3	
								type	
								CUSTOMER Drawing	



Copyright FCJ



FCIconnect.com

Copyright FCI

**CUSTOMER COPY FOR REFERENCE ONLY**

mat'l. code		surface		tolerance		projection		product family	
		ISO 1302 ✓		ISO 406 ISO 1101				MODULAR JACK	
ltr		ecn no		dr		date		title	
A		F04-0363		DLE		04.10.19		SMT RA JACK 8 POS INSIDE	
B		F06-0240		DLE		06.07.18			
		angles		linear				scale 2:1	
		±2'							
		dr		D LEGRAND		04.10.19		dwg no	
		engr		P NIZZI		04.10.19		sheet 3 of - size	
		chr		D LEGRAND		04.10.19		73333	
		appd		P NZ		04.10.19		A4	
sheet index		revision sheet						type	
								CUSTOMER Drawing	



form: A4

1

2