

1

2

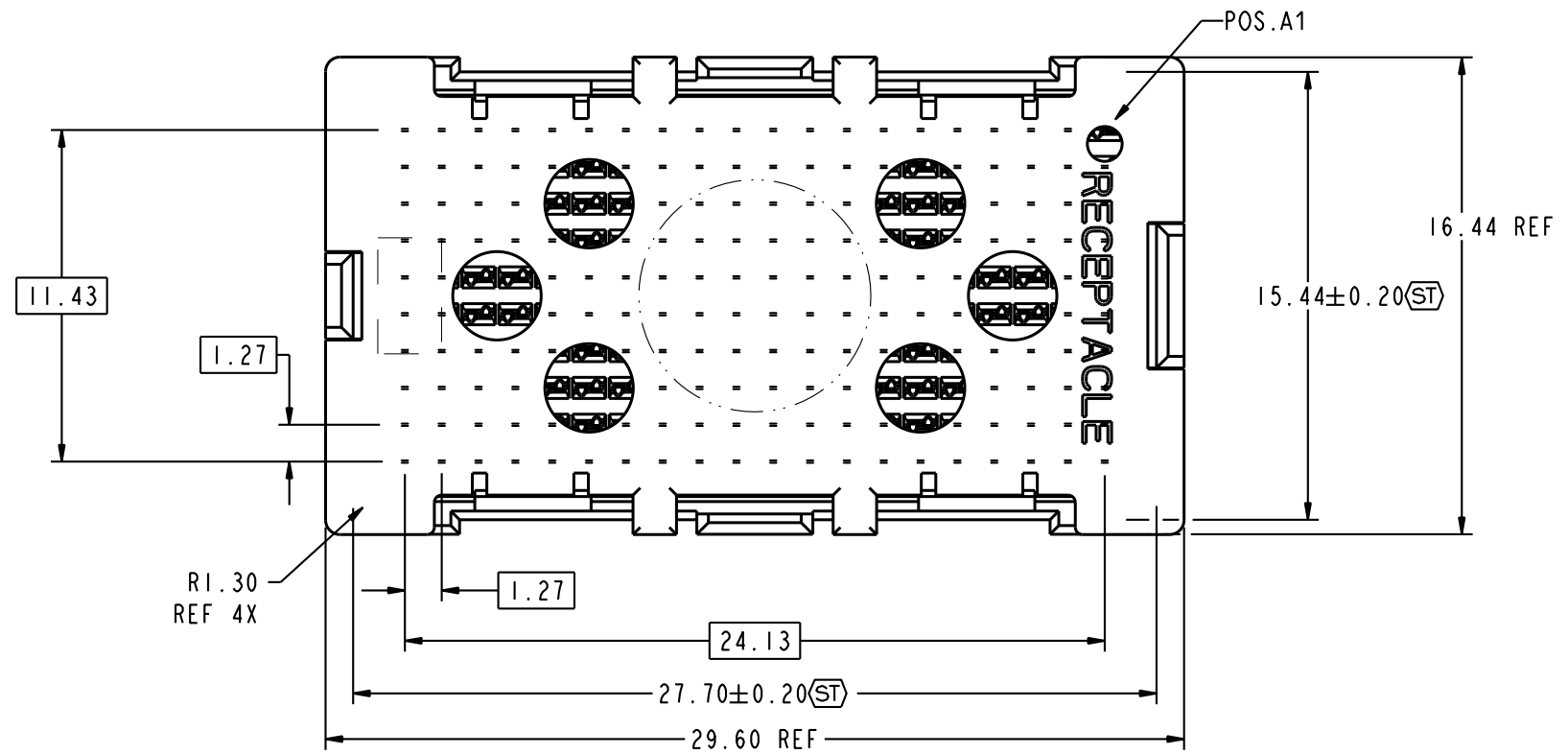
3

4

PRODUCT No	PICK-UP CAP (NATURAL OR BLACK COLOR)	CONTACT PLATING AND THICKNESS	SOLDER BALL	NOTES
84517-001	YES	15u" (.38um) Au	SnPb	
84517-001LF	YES	15u" (.38um) Au	LEAD FREE	6
84517-091	YES	15u" (.38um) GXT	SnPb	
84517-091LF	YES	15u" (.38um) GXT	LEAD FREE	6
84517-101	YES	30u" (.76um) Au	SnPb	
84517-101LF	YES	30u" (.76um) Au	LEAD FREE	6
84517-191	YES	30u" (.76um) GXT	SnPb	
84517-191LF	YES	30u" (.76um) GXT	LEAD FREE	6
84517-201	YES	SPECIAL NOTE 4	SnPb	4
84517-201LF	YES	SPECIAL NOTE 4	LEAD FREE	4 AND 6
84517-291	YES	GXT SPECIAL NOTE 4	SnPb	4
84517-291LF	YES	GXT SPECIAL NOTE 4	LEAD FREE	4 AND 6

A

A



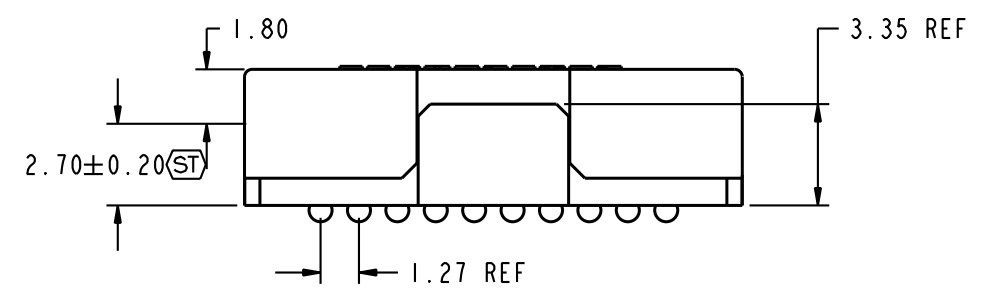
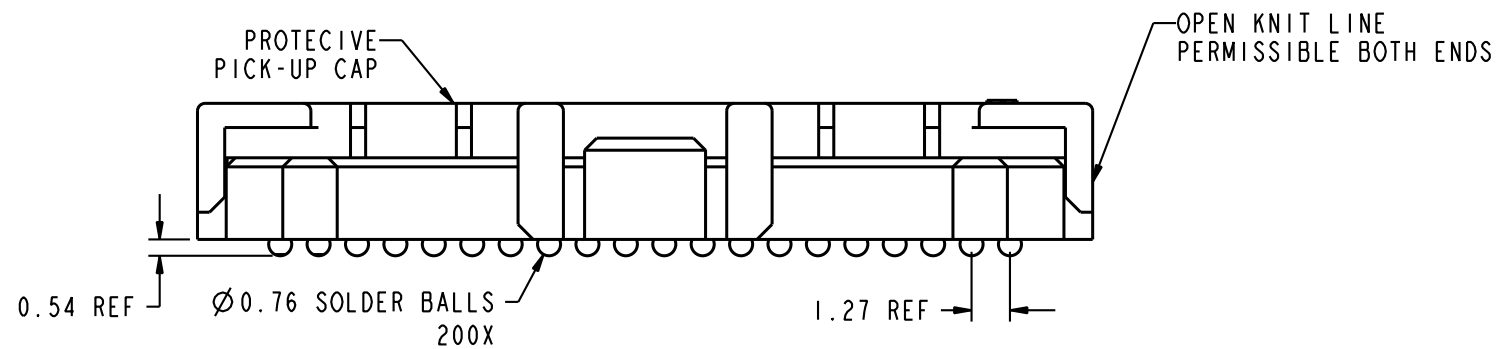
B

B

Amphenol FCI

C

C



© 2016 AFCI

D

D

spec ref	dr	Jayaseelan, Va	2020/07/31	projection	mm	size	A3	scale	4:1
tolerance std	eng	Robert Brown	2020/11/17			ecn no	ELX-V-37845-1	rel level	Released
ASME Y14.5	chr	-	-						
surface	linear	0.X	±.3	Amphenol FCI	title 4mm RECPT. ASSY. 10x20=200 POS.	dwg no 84517	rev J	cat. no.	Product - Customer Drw
		0.XX	±.10						
ASME Y14.5	angular	0°	±2°						sheet 1 of 3

2

3

NOTES:

① MAT'L

HOUSING: LCP
CONTACT: COPPER ALLOY

PLATING

CONTACT: (SEE TABLE ON SHEET 1)
SOLDER BALL: (SEE TABLE ON SHEET 1)
EUTECTIC SnPb OR LEAD FREE
95.5Sn/4Ag/0.5Cu

② OVERALL BOARD-TO-BOARD STACK HEIGHTS
AVAILABLE USING THIS CONNECTOR (84517):

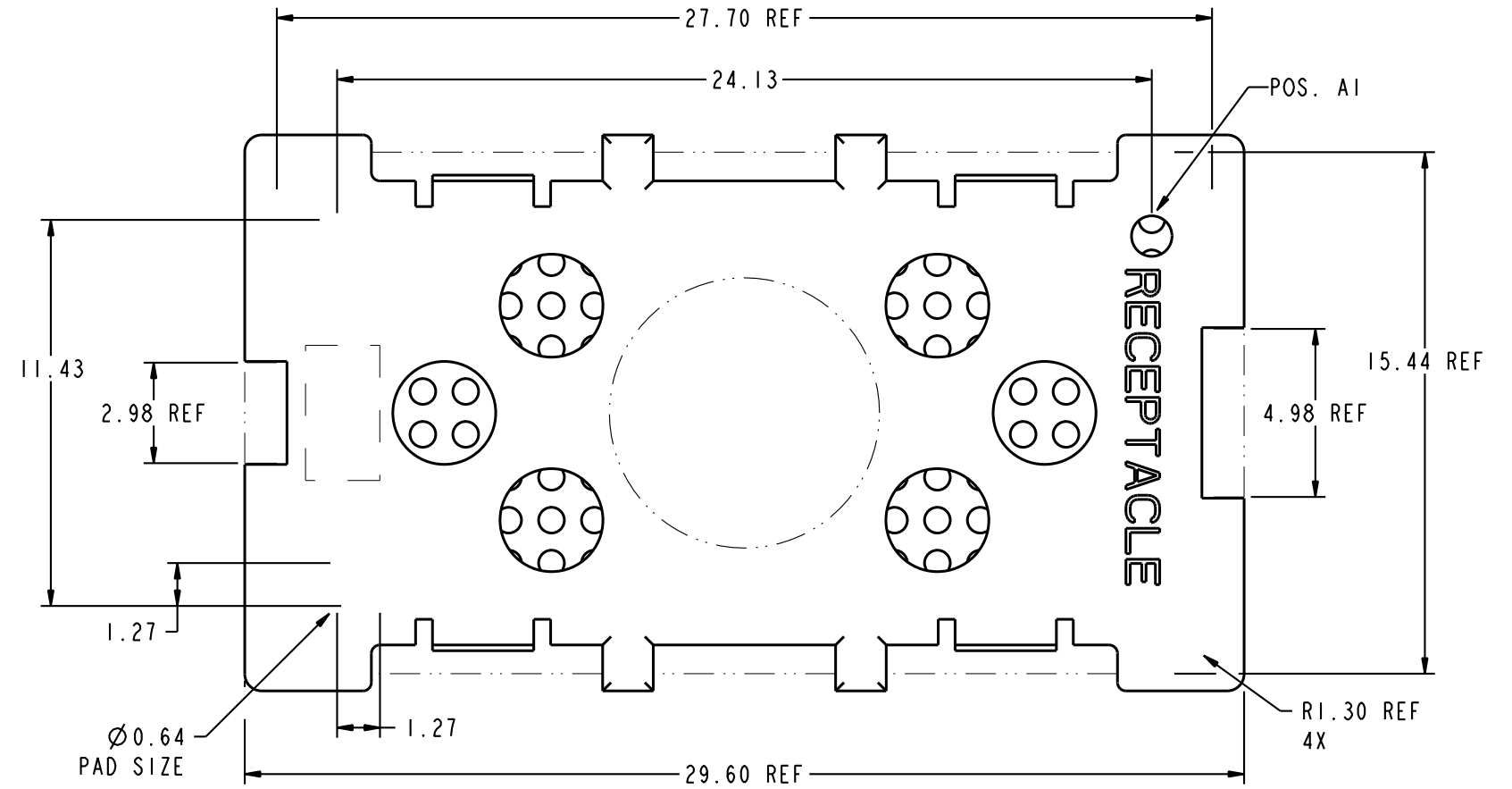
MATED HEIGHT	WITH PLUG P/N
4mm	84516
10mm	84530

④ PLATING FOR INDICATED -2XX SERIES PRODUCT NUMBERS
MEET THE REQUIREMENTS OF GR-1217-CORE,
CENTRAL OFFICE ENVIRONMENT, 25 YEAR LIFE EXPECTANCY.
THE CONTACTS IN THESE PRODUCT NUMBERS ALSO HAVE
SPECIAL CONTACT GEOMETRY.

⑤ FOR PROPER APPLICATION FOLLOW FCI APPLICATION
SPECIFICATION GS-20-033. LEAD FREE SOLDER BALLS WILL
NOT SOLDER PROPERLY IN A LEADED SOLDER PROCESS
DUE TO A HIGHER REFLOW TEMPERATURE. LEAD FREE
PRODUCT IS THEREFORE NOT BACKWARDS COMPATIBLE WITH
LEADED OR SOME SOLDERING APPLICATIONS. REFERENCE
FCI APPLICATION SPECIFICATION.

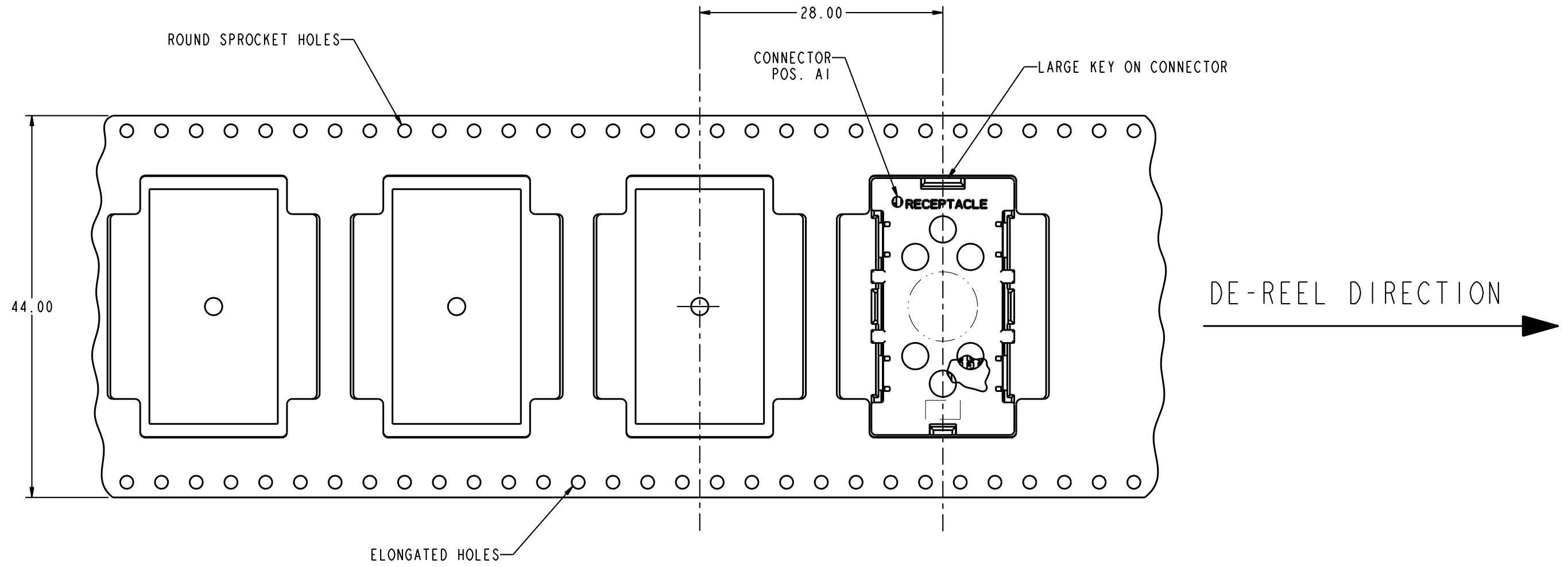
⑥ THIS PRODUCT MEETS EUROPEAN UNION DIRECTIVES AND
OTHER COUNTRY REGULATIONS AS DESCRIBED IN GS-47-0004
PRODUCT MEETING THIS DIRECTIVE IS IDENTIFIED IN THE LOT
CODE NUMBER MARKED ON EACH PART BY HAVING AN "X"
IN THE SEVENTH CHARACTER POSITION.

9. A Δ SYMBOL WILL BE NEXT TO ANY DIMENSION, NEW VIEW OR
NOTE WHICH HAS BEEN MODIFIED WITH THE CURRENT DRAWING REVISION.



BOARD PATTERN

spec ref		dr	Jayaseelan, Va	2020/07/31	projection	mm	size	A3	scale	5:1
tolerance std		eng	Robert Brown	2020/11/17			ecn no	ELX-V-37845-1		
ASME Y14.5		chr	-	-				rel level	Released	
TOLERANCES UNLESS OTHERWISE SPECIFIED		appr	Matthew Emenhe	2020/11/17	product family		MEG-ARRAY		rev	
surface	linear	0.X		±.3	Amphenol FCI	4mm RECPT. ASSY. 10x20=200 POS.		dwg no 84517	rev J	
		0.XX		±.10						
0.XXX		±.050								
ASME Y14.5	angular	0°		±2°	cat. no.	Product - Customer Drw		sheet 2 of 3		



spec ref		dr	Jayaseelan, Va	2020/07/31	projection	mm	size	A3	scale	2:1
tolerance std		eng	Robert Brown	2020/11/17			ecn no		ELX-V-37845-1	
ASME Y14.5		chr	-	-			rel level		Released	
TOLERANCES UNLESS OTHERWISE SPECIFIED		appr	Matthew Emenhe	2020/11/17	product family		MEG-ARRAY		rel level	
surface	<input checked="" type="checkbox"/> linear <input type="checkbox"/> angular	0.X	±.3	Amphenol FCi	title 4mm RECPT. ASSY. 10x20=200 POS.		dwg no 84517		rev J	
		0.XX	±.10							
		0.XXX	±.050							
ASME Y14.5	0°	±2°	cat. no.	Product - Customer Drw			sheet 3 of 3			