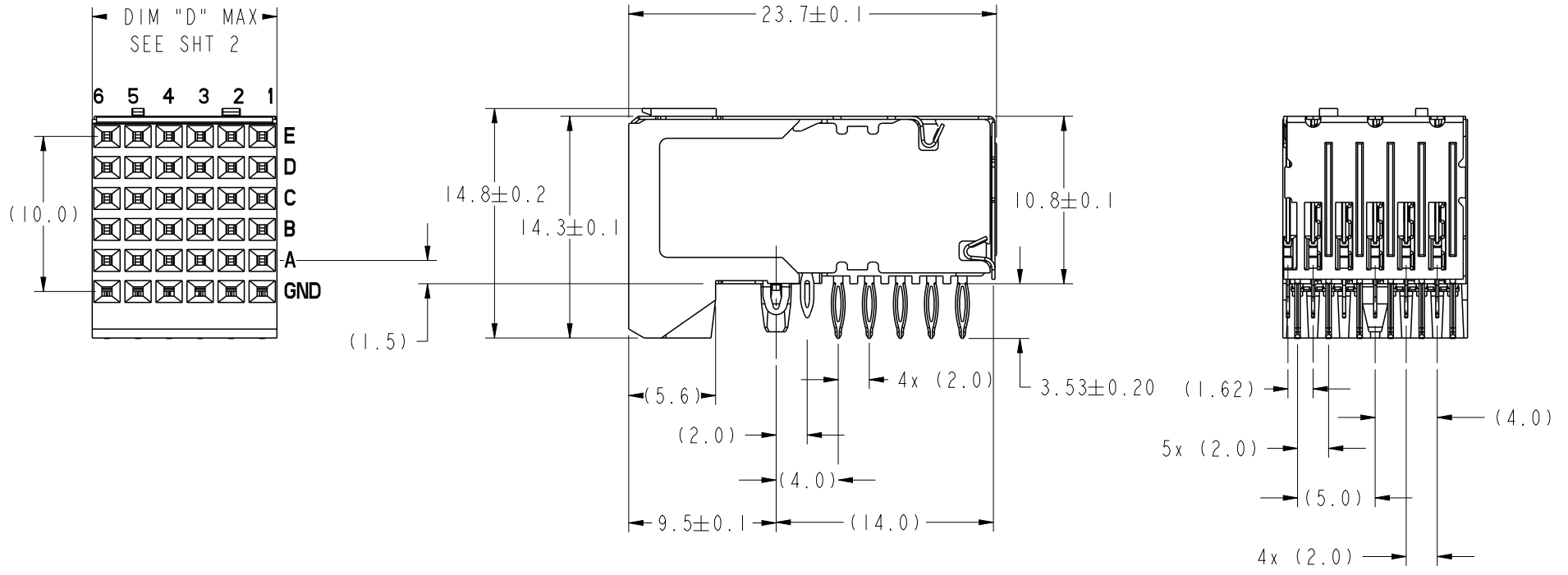
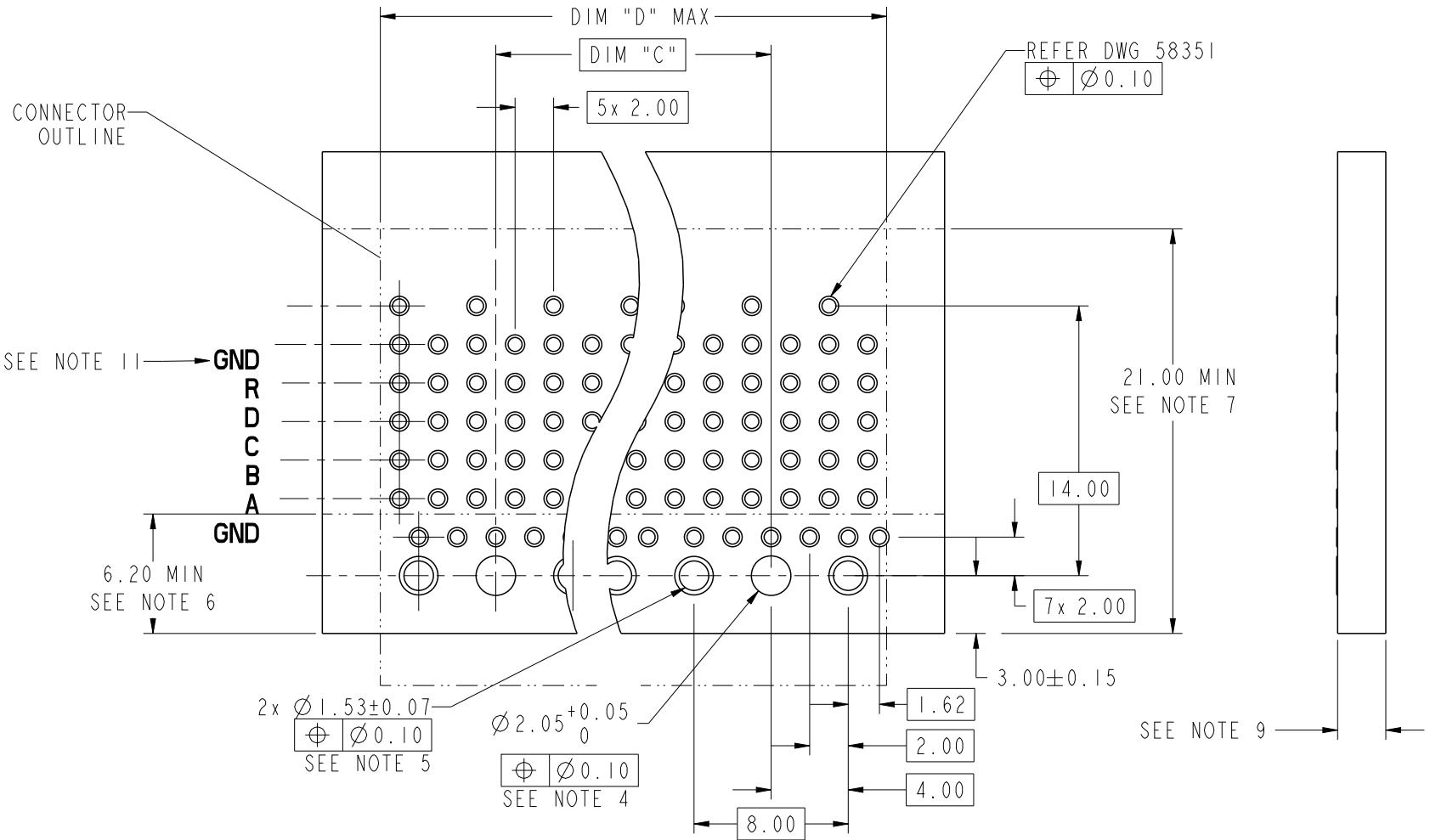


| PRODUCT NUMBER | DIM "C" | DIM "D" |
|----------------|---------|---------|
| 84854-X01LF | -- | 11.98 |
| 84854-X02LF | 12.00 | 23.98 |
| 84854-X03LF | 24.00 | 35.98 |
| 84854-X04LF | 36.00 | 47.98 |
| 84854-X05LF | 48.00 | 59.98 |
| 84854-X06LF | 60.00 | 71.98 |



| | | | | | | | | | | | | |
|---------------------------------------|---------|-------|----------------|------------|----------------|--------|-----------------------------|---------------|--------|----------|-----|---|
| spec ref | | dr | Narayanan, Aru | 2020/11/21 | projection | MM | size | A4 | scale | 3:1 | | |
| tolerance std | | eng | Narayanan, Aru | 2020/12/22 | | | ecn no | ELX-I-39415-1 | | | | |
| ISO 406 ISO 1101 | | chr | - | - | | | | rel level | | Released | | |
| TOLERANCES UNLESS OTHERWISE SPECIFIED | | appr | Kuriakose, San | 2020/12/22 | product family | | METRAL 1000 | | | | | |
| surface | linear | 0.X | ±0.3 | | Amphenol FCI | title | RA SIGNAL RECEPTACLE | | dwg no | 84854 | rev | T |
| | | 0.XX | ±0.13 | | | | 5 ROW MONOBLOCK FOR 3.4 PCB | | | | | |
| | | 0.XXX | ±0.050 | | | | cat. no. | | | | | |
| 1302 | angular | 0° | ±2° | | | | | | | | | |





Creo F:14:ELX-MC-AC, REV F, 2020-12-21

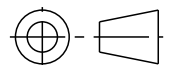



RECOMMENDED PCB HOLE PATTERN
COMPONENT SIDE
FOR PTH DETAILS REFER DRAWING 58351

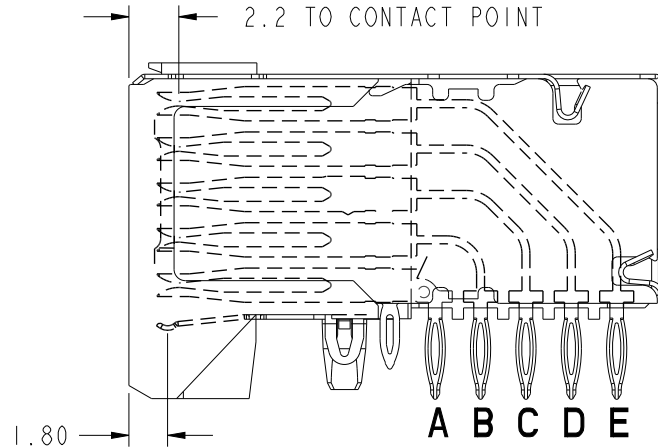
| | | | | | | | | | | | | | |
|---------------------------------------|--|--|--|--|--|---------|--|----------------------|--|------------------------|--|--------------|--|
| spec ref | | dr Narayanan, Aru 2020/11/21 | | projection | | size A4 | | scale 3:1 | | | | | |
| tolerance std | | eng Narayanan, Aru 2020/12/22 | | | | MM | | ecn no ELX-I-39415-1 | | | | | |
| ISO 406 ISO 1101 | | chr - | | | | | | rel level Released | | | | | |
| TOLERANCES UNLESS OTHERWISE SPECIFIED | | appr Kuriakose, San 2020/12/22 | | product family METRAL(tm) | | rev | | | | | | | |
| surface 1302 ✓ | | linear 0.X ±0.3 0.XX ±0.13 0.XXX ±0.050 angular 0° ±2° | | Amphenol FCI RA SIGNAL RECEPTACLE 5 ROW MONOBLOCK FOR 3.4 PCB | | | | dwg no 84854 | | T | | | |
| | | | | | | | | cat. no. | | Product - Customer Drw | | sheet 2 of 4 | |

NOTES:

1. MATERIAL : BODY : THERMOPLASTIC UL94-V0
: CONTACT : COPPER ALLOY. 
2. FOR PLATING PERFORMANCE REFER DRAWING #10159408. 
3. UNLESS OTHERWISE SPECIFIED ALL DIMENSIONS AND TOLERANCES ARE IN ACCORDANCE WITH ASSY Y14.5M, 1994
4. Ø2.05 HOLE IS UNPLATED.
5. Ø1.53 PLATED HOLES (2x) ARE FOR GROUNDS.
6. AVOID TRANCES IN THIS AREA ON TOP OF PCB DUE TO EXPOSED GROUND SHIELD.
7. COMPONENT KEEP OUT ZONE FOR PRESS BLOCK CLEARANCE.
8. SEE GS-20-017 FOR APPLICATION OF CONNECTOR TO PCB.
9. PCB THICKNESS RANGE: 1.3mm TO 3.4mm.
10. SEE PRODUCT SPECIFICATION GS-12-110 FOR PRODUCT PERFORMANCE CHARACTERISTICS.
11. THIS GROUND ROW OF VIA-HOLES ONLY REQUIRED FOR PREVIOUS REVISIONS OF THIS DESIGN WHERE THE TOP SHIELDS HAD EON. PRESS FIT. DUE TO INVENTORIES OF PREVIOUS VERSION WE RECOMMEND THEY BE DESIGNED IN.
12. PRODUCTS MEETS EUROPEAN UNION DIRECTIVES AND OTHER COUNTRY REGULATIONS AS  DESCRIBED IN GS-47-0004.
ALL PRODUCTS WILL WITHSTAND EXPOSURE TO 260° FOR 60 SECONDS IN A CONVENTION INFRA-RED OR VAPOUR PHASE REFLOW OVEN.
13. A  SYMBOL WILL BE NEXT TO ANY DIMENSION, VIEW, OR NOTE WHICH HAS BEEN MODIFIED WITH THE CURRENT DRAWING REVISION.

| | | | | | | | | | | | |
|---------------|---------------------------------------|--------|------|----------------|---------------------|---|---|--------------|---------------|----------|-----|
| spec ref | | dr | | Narayanan, Aru | 2020/11/21 | projection  | MM  | size | A4 | scale | 3:1 |
| tolerance std | TOLERANCES UNLESS OTHERWISE SPECIFIED | eng | | Narayanan, Aru | 2020/12/22 | | | ecn no | ELX-I-39415-1 | | |
| | | chr | | - | - | | | | | | |
| ISO 406 | 1302 ✓ | appr | | Kuriakose, San | 2020/12/22 | product family | METRAL(tm) | | rel level | Released | |
| ISO 1101 | | linear | 0.X | ±0.3 | Amphenol FCI | RA SIGNAL RECEPTACLE | | dwg no | 84854 | | rev |
| | | | 0.XX | ±0.13 | | | | | | | |
| | 0.XXX | ±0.050 | | | | | | | | | |
| | angular | 0° | ±2° | cat. no. | | Product - Customer Drw | | sheet 3 of 4 | | | |

| DISTANCE FROM CONTACT POINT TO BOARD | |
|--------------------------------------|----------|
| CONTACT | DISTANCE |
| A | 12.5 |
| B | 16.2 |
| C | 19.5 |
| D | 22.3 |
| E | 25.2 |



CONTACT POINT AND SKEW

| | | | | | | | | | | | |
|--------------------------------------|---------------------------------------|--------|-----------------|------------------------|---|------------|--------------|---------------|----------|-----|---|
| spec ref | | dr | Narayanan, Aru | 2020/11/21 | projection | MM | size | A4 | scale | 3:1 | |
| tolerance std ISO 406 ISO 1101 | TOLERANCES UNLESS OTHERWISE SPECIFIED | eng | Narayanan, Aru | 2020/12/22 | | | ecn no | ELX-I-39415-1 | | | |
| | | chr | - | - | | | | rel level | Released | | |
| surface | 1302 | appr | Kuriakose, San | 2020/12/22 | product family | METRAL(tm) | | | | | |
| linear | 0.X | ±0.3 | Amphenol FCi | title | RA SIGNAL RECEPTACLE 5 ROW MONOBLOCK FOR 3.4 PCB | | dwg no | 84854 | | rev | T |
| | 0.XX | ±0.13 | | | | | | | | | |
| | 0.XXX | ±0.050 | | | | | | | | | |
| angular | 0° | ±2° | cat. no. | Product - Customer Drw | | | sheet 4 of 4 | | | | |