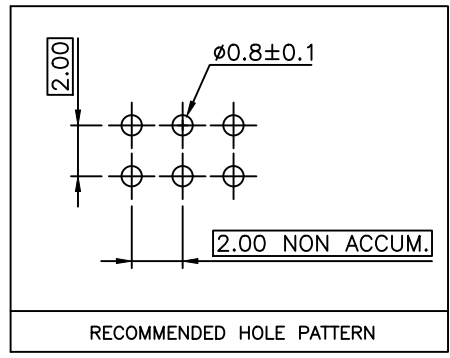
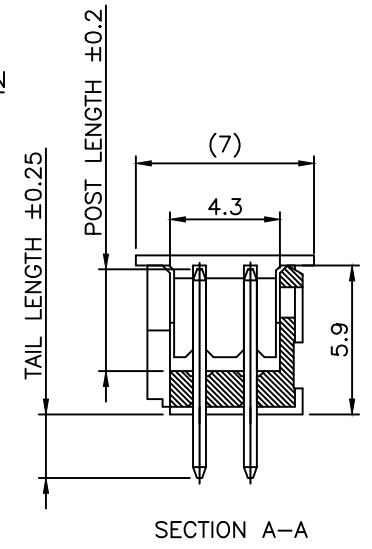
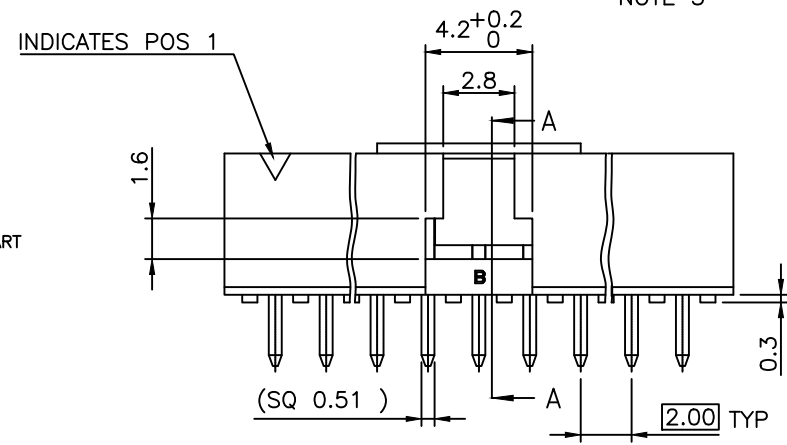
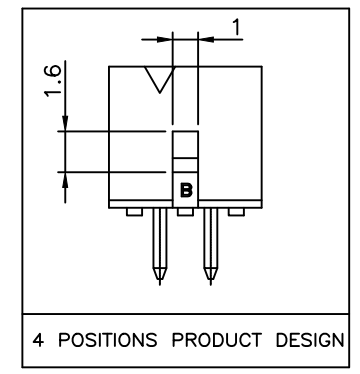
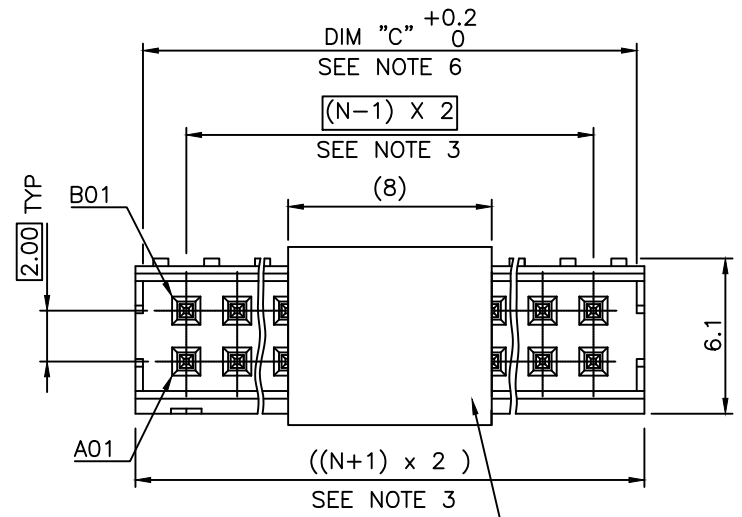


PRODUCT NUMBER
98414-XXX-XX-XXXLF

PLATING _____ RoHS COMPATIBLE, SEE NOTE 8
 S = 0.38µm GOLD/GXT ON CONTACT AREA
 2µm MIN MATTE TIN ON TAIL
 POLARIZATION, SEE NOTE 7
 PACKAGING, SEE NOTE 5
 TOTAL NB OF POSITIONS, 04 TO 50 POS
 COLOR OPTION NOTE 1
 G = 0.76µm GOLD/GXT ON CONTACT AREA
 2µm MIN MATTE TIN ON TAIL
 F = GOLD FLASH ON CONTACT AREA
 2µm MIN MATTE TIN ON TAIL
 T = 2.0-6.0µm FULL MATTE TIN
 1.27µm Ni MIN UNDERLAYER

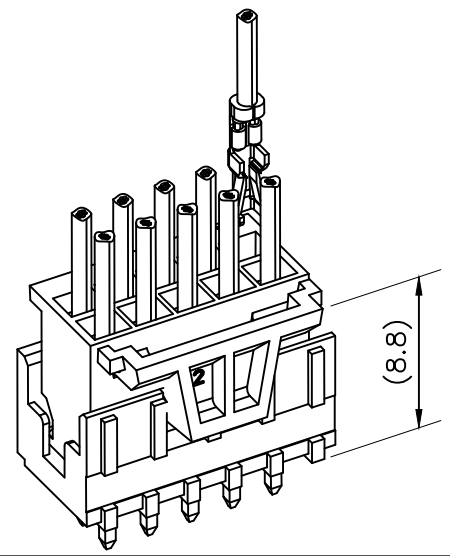
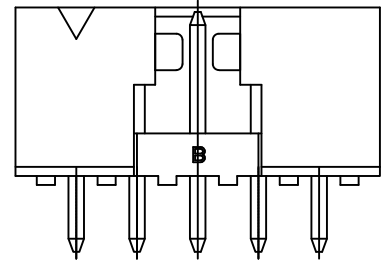
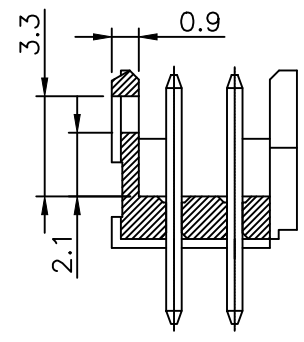
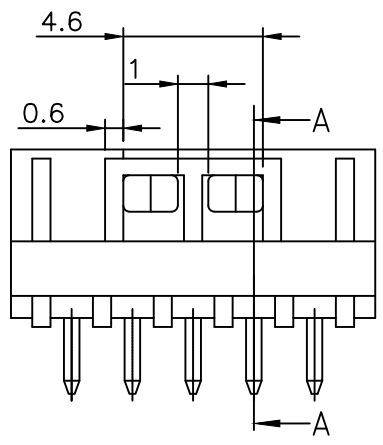
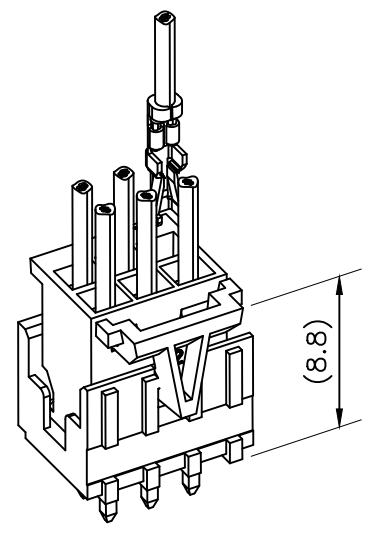
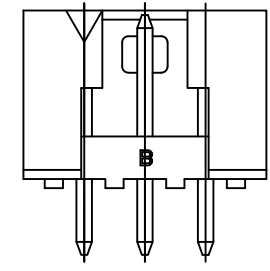
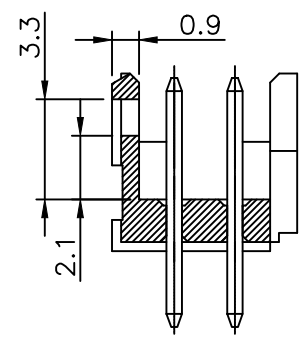
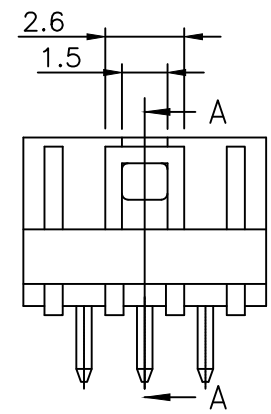
PIN STYLE	POST LENGTH	TAIL LENGTH
04	4.00	2.00
06	4.00	2.50
08	4.00	3.10
10	4.00	3.70

- NOTES:
- MATERIAL HOUSING: HIGH TEMP. THERMOPLASTIC UL-94VO
 - = STANDARD COLOR CREAM
 B = OPTIONAL COLOR BLACK
 - MATERIAL TERMINAL: COPPER ALLOY
 - TO DETERMINE DIMENSIONS:
 N = NUMBER OF POSITIONS PER ROW
 - 7N MIN. PIN RETENTION IN EITHER DIRECTION.
 - PACKAGING:
 = STANDARD PACKAGING IN POLYBAGS
 - = POLYBAGS PACKAGING WHEN POLARISATION FEATURE APPLICABLE
 B = TUBE WITH PICK-UP CAP FOR 12 UP TO 50 POS
 U = TUBE AVAILABLE FROM 06 TO 50 POS
 UV = TUBE WITHOUT PICK UP CAP FOR CUSTOMER DEDICATED PART
 A = TAPE & REEL WITH PICK UP CAP
 AV = TAPE & REEL WITH PICK UP CAP FOR CUSTOMER DEDICATED PART
 KV = TAPE & REEL WITHOUT PICK UP CAP FOR CUSTOMER DEDICATED PART
 - DIM "C" = (N x 2) + 1.4
 EXAMPLE: N = 7
 DIM "C" = (7 x 2) + 1.4 = 15.4 mm
 - FOR POLARIZATION, SPECIFIED PIN
 EXAMPLE : A03 = ROW A, POSITION 03 TO OMIT PIN
 OMIT FROM PRODUCT NUMBER IF THIS FEATURE IS NOT APPLICABLE.
 - RoHS COMPATIBLE PRODUCT SPECIFICATIONS
 - PLATING:
 - "LF" MEANS THE PRODUCT IS LEAD-FREE,
 2µm MINIMUM MATTE TIN OVER 1.27µm MINIMUM NICKEL UNDERPLATE.
 - MANUFACTURING PROCESS COMPATIBILITY
 - THE HOUSING WILL WITHSTAND EXPOSURE TO 260°C PEAK TEMPERATURE FOR 30 SECONDS MAX IN A CONVECTION, INFRA-RED, OR VAPOR PHASE OR REFLOW OVEN
 - THE HOUSING WILL WITHSTAND EXPOSURE TO 260°C ±5°C SOLDER BATH TEMPERATURE FOR 5 SECONDS IN A WAVE SOLDER APPLICATION WITH A 1.6mm MIN THICK CIRCUIT BOARD.
 - LABELLING:
 - MEETS PACKAGING SPECS AS PER GS-14-920
 - THIS PRODUCT MEETS EUROPEAN DIRECTIVES AND OTHER COUNTRY REGULATIONS AS DISCRIBED IN GS-47-0004



mat'l. code		surface		tolerance		projection		product family	
SEE NOTES		ISO 1302 ✓		ISO 406 ISO 101		101		MINITEK	
ltr	ecn no	dr	date	tolerances unless otherwise specified		mm		title	
X	F-39558	DDE	21.01.07	angles	linear	X.X ± 0.3	X.XX ± 0.13	SHR HEADER	
S	B-19190	LMU	14.10.24			X.XXX ± 0.05	scale 1:1	2.00 VERTICAL TMT	
T	B-19797	AMA	14.12.16	dr	L.MULIN	04.09.27		dwg no	
U	B-19988	LMU	15.01.13	engr	J.COMPAGNON	04.09.27		sheet 1 of 2	
V	F-34383	LMU	19.07.30	chr				size	
W	F-34619	DDE	19.08.20	app	JM.C	04.09.27		98414	
sheet		revision	X	B			type		CUSTOMER Drawing
index		sheet	1	2					A3

2x3 POS AND 2x4 POS CONFIGURATION
NO LATCHING AVAILABLE FOR 2x2 POS



2x5 POS UP TO 2x25 POS CONFIGURATION

LATCHING FEATURES WHEN USED IN COMBINATION
WITH ACTIVE LATCH HOUSING 10073599

mat'l. code SEE NOTES				surface ISO 1302 ✓		tolerance ISO 406 ISO 101		projection 101		product family MINITEK	
ltr ecn no dr date				tolerances unless otherwise specified		title		sheet 2 of - size			
A F08-0113 LMU 08.01.17				X.X ±0.3		SHR HEADER		98414 A3			
B F-39558 DDE 21.01.07				angles linear X.XX ±0.13		2.00 VERTICAL TMT		type CUSTOMER Drawing			
				X.XXX ±0.05		scale 1:1					
				dr L.MULIN 07.11.06		FCJ					
				engr J.COMPAGNON 07.11.06							
				chr							
				appd JM.C 07.11.06							
sheet index		revision sheet									



Copyright FCI