

PRODUCT NUMBER
98424-X52-XX-XXXLF

PLATING
S = 0.38µm GOLD/GXT
ON CONTACT AREA
2µm MIN MATTE
TIN ON TAIL

G = 0.76µm GOLD/GXT
ON CONTACT AREA
2µm MIN MATTE TIN ON TAIL

F = GOLD FLASH
ON CONTACT AREA
2µm MIN MATTE TIN ON TAIL

T = 2.0-6.0µm FULL MATTE TIN

1.27µm Ni MIN UNDERLAYER

RoHS COMPATIBLE, SEE NOTE 8

POLARIZATION (SEE NOTE 7)

PACKAGING OPTIONAL LETTER (SEE NOTE 5)

TOTAL NB OF POSITIONS, 04 TO 50

COLOR OPTION NOTE 1

NOTES:

- MATERIAL HOUSING: HIGH TEMP. THERMOPLASTIC UL-94VO
- = STANDARD COLOR CREAM
B = OPTIONAL COLOR BLACK
- MATERIAL TERMINAL: COPPER ALLOY
- TO DETERMINE DIMENSIONS:
N = NUMBER OF POSITIONS PER ROW
- 7N MIN. PIN RETENTION IN EITHER DIRECTION.

5. PACKAGING:

- = STANDARD PACKAGING IN POLYBAGS
- = POLYBAGS PACKAGING WHEN POLARISATION FEATURE APPLICABLE
- U = TUBE AVAILABLE FROM 08 TO 50 POS
- A = TAPE AND REEL WITH PICK UP CAP, AS AVAILABLE
- K = TAPE AND REEL WITHOUT PICK UP CAP, AS AVAILABLE.
- C = TAPE AND REEL WITH SPECIAL LARGE CAP, ONLY FOR 98424-Y52-06CLF FOR ALL SPECIAL PACKAGING, FCI TO BE CONTACTED
- UV = TUBE WITHOUT PICK UP CAP FOR CUSTOMER DEDICATED PART
- AV = TAPE & REEL WITH PICK UP CAP FOR CUSTOMER DEDICATED PART
- KV = TAPE & REEL WITHOUT PICK UP CAP FOR CUSTOMER DEDICATED PART

6. DIM "C" = (N x 2) + 1.4

EXAMPLE: N = 7
DIM "C" = (7 x 2) + 1.4 = 15.4 mm

7. FOR POLARIZATION, SPECIFIED PIN

EXAMPLE : A03 = ROW A, POSITION 03 TO OMIT PIN
OMIT FROM PRODUCT NUMBER IF THIS FEATURE IS NOT APPLICABLE

8. RoHS COMPATIBLE PRODUCT SPECIFICATIONS

a - PLATING:

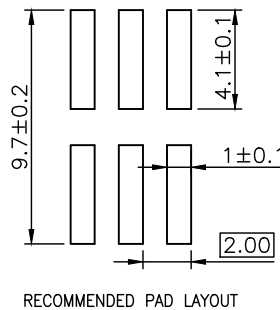
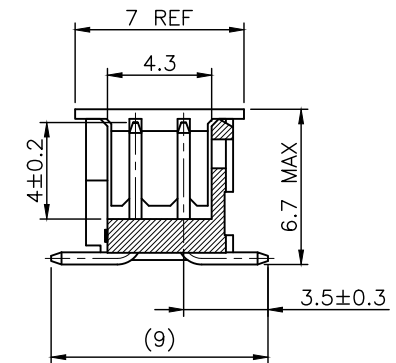
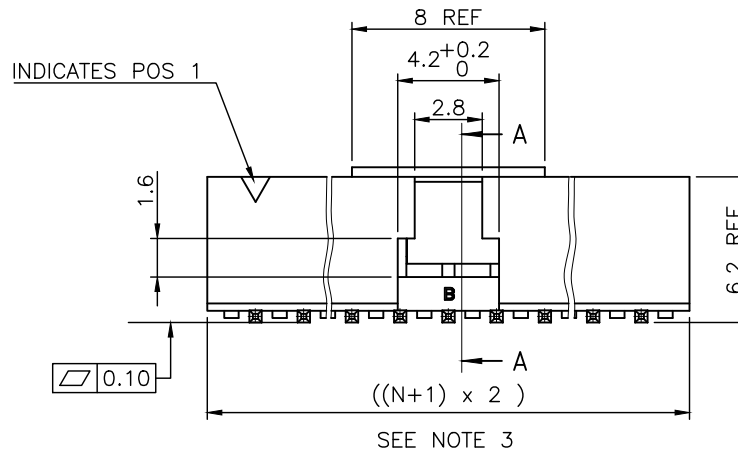
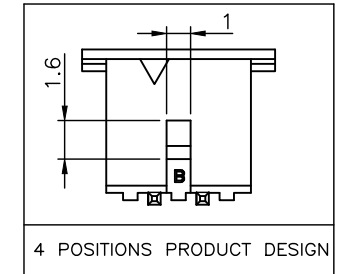
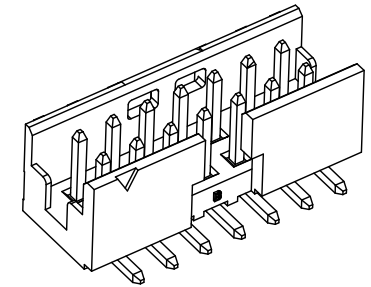
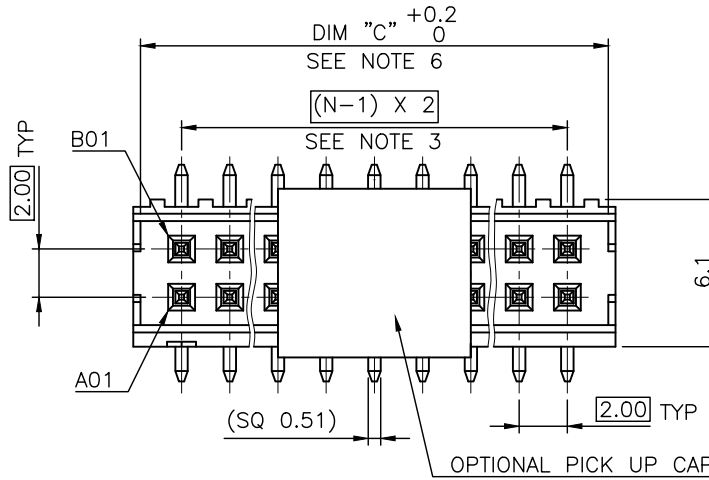
- "LF" MEANS THE PRODUCT IS LEAD-FREE,
2µm MINIMUM MATTE TIN OVER 1.27µm
MINIMUM NICKEL UNDERPLATE.

b - MANUFACTURING PROCESS COMPATIBILITY

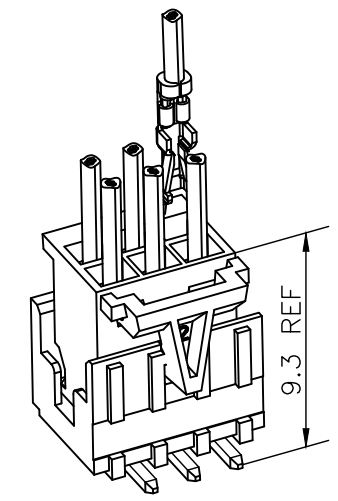
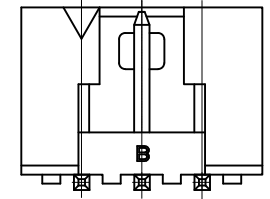
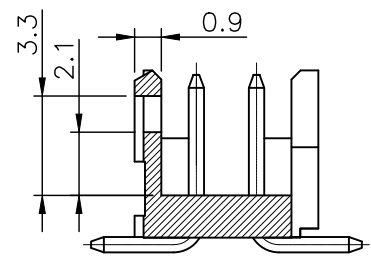
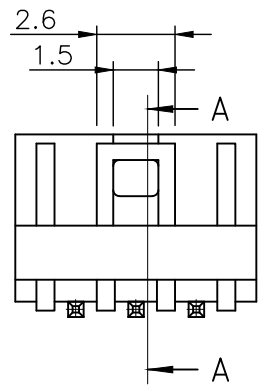
- THE HOUSING WILL WITHSTAND EXPOSURE TO
260°C PEAK TEMPERATURE FOR 30 SECONDES
MAX IN A CONVECTION, INFRA-RED OR VAPOR
PHASE OR REFLOW OVEN.

c - LABELLING:

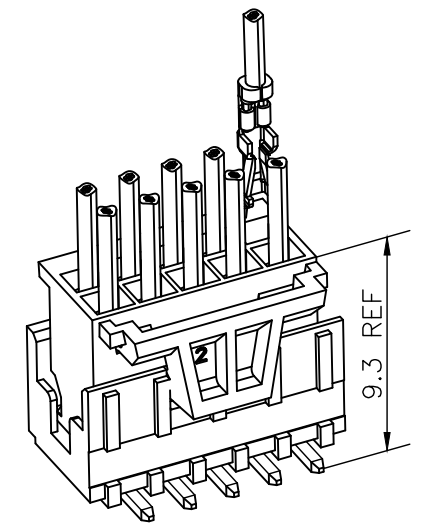
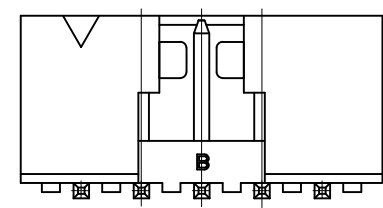
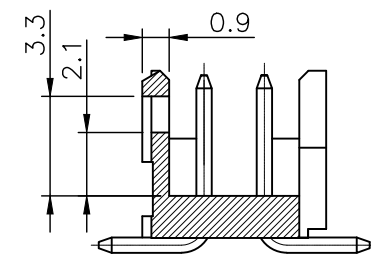
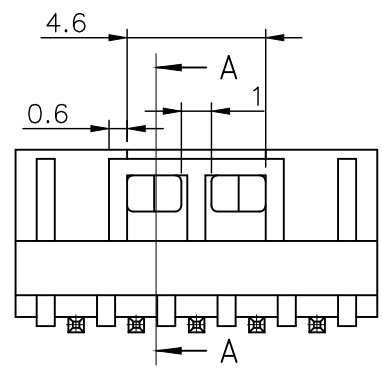
- MEETS PACKAGING SPECS AS PER GS-14-920
- THIS PRODUCT MEETS EUROPEAN DIRECTIVES
AND OTHER COUNTRY REGULATIONS AS DISCRIBED
IN GS-47-0004.



mat'l. code				surface		tolerance		projection		product family	
SEE NOTES				ISO 1302		ISO 406 ISO 101		MINITEK		MINITEK	
ltr	ecn no	dr	date	tolerances unless otherwise specified				title			
W	B-26204	JCA	17.02.27	angles		linear		mm		SHR HEADER	
X	F-35976	DDE	20.01.24			X.X ±0.3				2.00 VERTICAL SMT	
						X.XX ±0.13		scale 1:1			
						X.XXX ±0.05					
S	B-19190	LMU	14.10.24	dr	L.MULIN	04.09.27	FCI		sheet 1 of 2		size
T	B-19797	AMA	14.12.16	engr	J.COMPAGNON	04.09.27			98424		A3
U	B-19988	LMU	15.01.13	chr					CUSTOMER Drawing		
V	F-23051	AMA	16.01.15	appd	JMC	04.09.27					
sheet	revision	X	B								
index	sheet	1	2								



2x3 POS AND 2x4 POS CONFIGURATION
NO LATCHING AVAILABLE FOR 2x2 POS



2x5 POS UP TO 2x25 POS CONFIGURATION

LATCHING FEATURES WHEN USED IN COMBINATION
WITH ACTIVE LATCH HOUSING 10073599

mat'l. code		surface		tolerance		projection		product family	
SEE NOTES		ISO 1302 ✓		ISO 406 ISO		101		MINITEK	
ltr	ecn no	dr	date	tolerances unless otherwise specified				title	
A	F08-0113	LMU	08.01.17	angles	linear	X.X	±0.3	SHR HEADER	
B	F-35976	DDE	20.01.24			X.XX	±0.13	2.00 VERTICAL SMT	
						X.XXX	±0.05	scale 1:1	
		dr	L.MULIN					sheet 2 of - size	
		enr	J.COMPAGNON					98424 A3	
		chr						type CUSTOMER Drawing	
		appd	JM.C						
sheet index	revision sheet								



Copyright FCJ