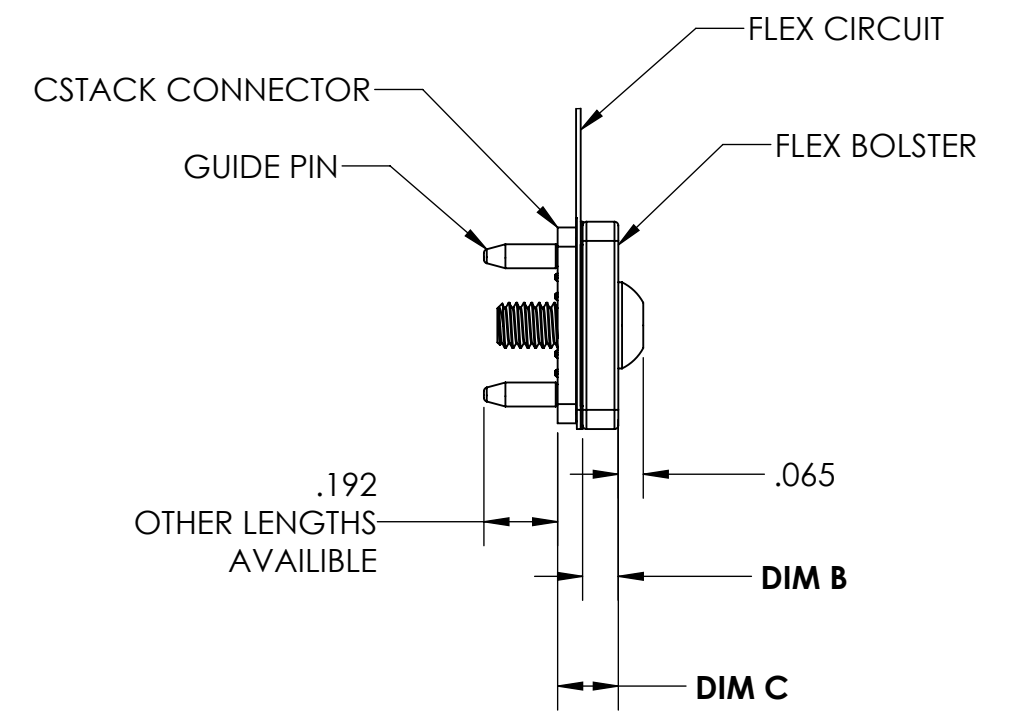


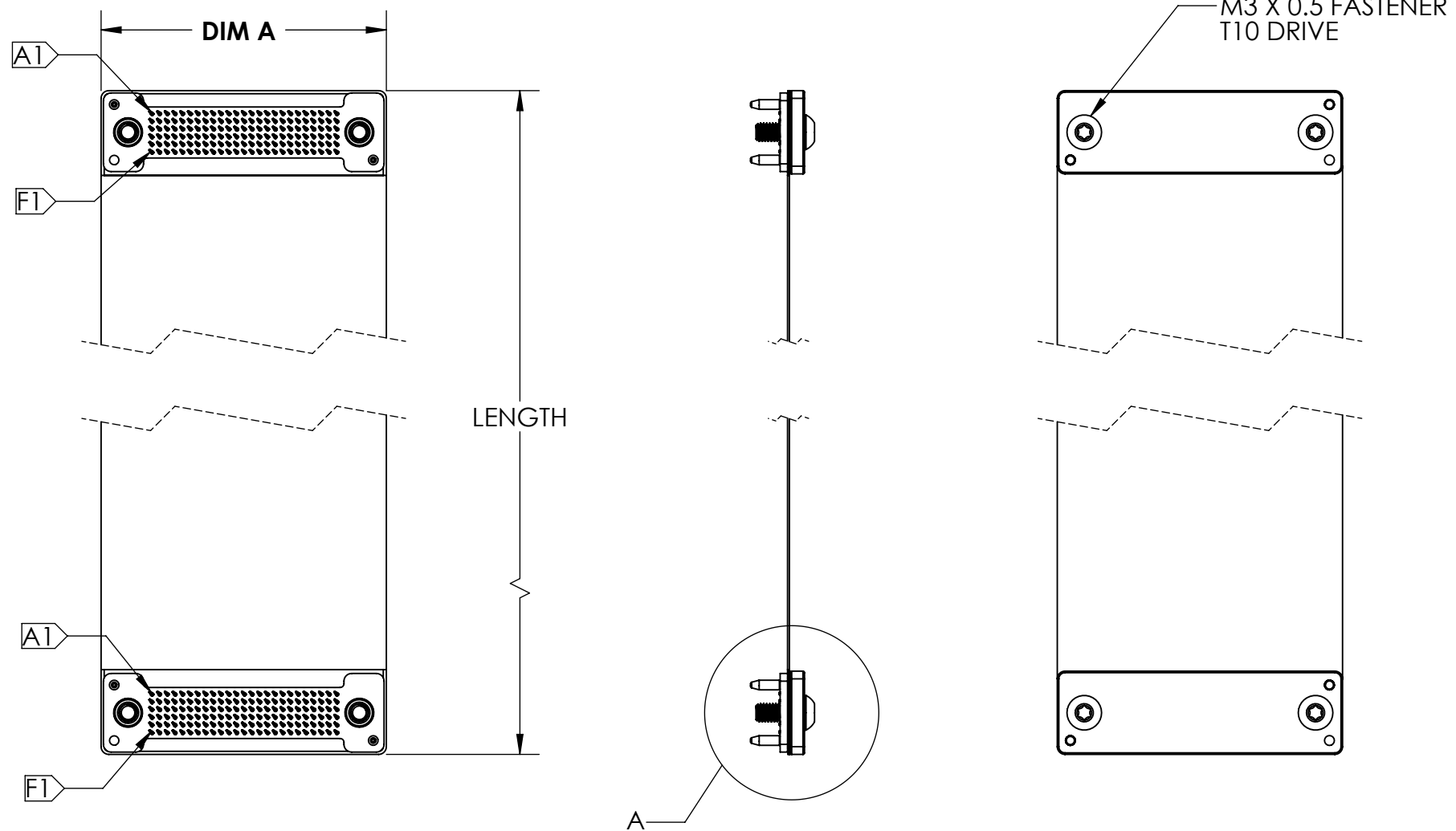
REVISIONS

REV	DESCRIPTION	DATE	DWN
3	CORRECTED PART NUMBER TABLE	09/21/2016	RL

PART NUMBER	cSTACK ARRAY	DIM A	DIM B	DIM C	DIM D	DIM E	WIRING SCHEME
xxxx-005	6X5	.850	.033	.098	.675	.200	CUSTOMER SPECIFIC
xxxx-010	6X10	1.100	.033	.098	.925	.450	CUSTOMER SPECIFIC
xxxx-015	6X15	1.350	.054	.119	1.175	.700	CUSTOMER SPECIFIC
xxxx-020	6X20	1.600	.075	.140	1.425	.950	CUSTOMER SPECIFIC
xxxx-025	6X25	1.850	.090	.155	1.675	1.200	CUSTOMER SPECIFIC
xxxx-030	6X30	2.100	.120	.185	1.925	1.450	CUSTOMER SPECIFIC
xxxx-035	6X35	2.350	.150	.215	2.175	1.700	CUSTOMER SPECIFIC
xxxx-040	6X40	2.600	.164	.229	2.425	1.950	CUSTOMER SPECIFIC
xxxx-045	6X45	2.850	.194	.249	2.675	2.200	CUSTOMER SPECIFIC
xxxx-050	6X50	3.100	.209	.264	2.925	2.450	CUSTOMER SPECIFIC



DETAIL A  
SCALE 2 : 1



**CONFIGURATION DRAWING**  
**ALL CONNECTOR SIZES ARE NOT TOOLED FOR PRODUCTION.**  
**ALL CONNECTOR SIZES ARE AVAILABLE FOR PROTOTYPE BUILDS.**

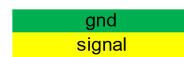
<small>THIS DOCUMENT CONTAINS CONFIDENTIAL AND PROPRIETARY INFORMATION OF AMPHENOL INTERCON SYSTEMS AND MAY NOT BE DISCLOSED, REPRODUCED OR OTHERWISE USED WITHOUT WRITTEN PERMISSION</small>				AMPHENOL INTERCON SYSTEMS INC. HARRISBURG, PA 17110	
<small>ALL DIMENSIONS AND TOLERANCES PER ASME Y14.5M-1994</small>		<small>THIRD ANGLE PROJECTION</small>		NAME <b>CSTACK FLEX CABLE ASSEMBLY CONFIGURATION DRAWING</b>	
INSPECTION ◇ FIRST PIECE △ SPC ○ IN-PROCESS		TOLERANCES UNLESS SPECIFIED OTHERWISE 2PLC ± .010 3PLC ± .005 4PLC ± .002 ANGLES ± 1°		SIZE <b>B</b>	PROD CODE 43
MATERIAL -		FINISH -		DRAWING NUMBER <b>C- 9952</b>	REV <b>3</b>
SCALE 1:1		CUSTOMER		SHEET 1 OF 4	

### EXAMPLE PIN MAP FOR SINGLE ENDED SIGNALS CUSTOM PATTERNS AVAILABLE

	1	2	3	4	5	6	7	8	9	10	11	12	13	14	15	16	17	18	19	20
A	s	g	s	g	s	g	s	g	s	g	s	g	s	g	s	g	s	g	s	g
B	g	s	g	s	g	s	g	s	g	s	g	s	g	s	g	s	g	s	g	s
C	s	g	s	g	s	g	s	g	s	g	s	g	s	g	s	g	s	g	s	g
D	g	s	g	s	g	s	g	s	g	s	g	s	g	s	g	s	g	s	g	s
E	s	g	s	g	s	g	s	g	s	g	s	g	s	g	s	g	s	g	s	g
F	g	s	g	s	g	s	g	s	g	s	g	s	g	s	g	s	g	s	g	s

**NETLIST EXAMPLE**

A1 - A1  
C1 - C1  
.  
.  
.  
F20-F20

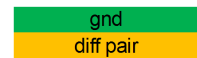


### EXAMPLE PIN MAP FOR DIFFERENTIAL SIGNALS CUSTOM PATTERN AVAILABLE

	1	2	3	4	5	6	7	8	9	10	11	12	13	14	15	16	17	18	19	20	21	22	23	24	25
A	g	+	g	+	g	+	g	+	g	+	g	+	g	+	g	+	g	+	g	+	g	+	g	+	g
B	g	-	g	-	g	-	g	-	g	-	g	-	g	-	g	-	g	-	g	-	g	-	g	-	g
C	+	g	+	g	+	g	+	g	+	g	+	g	+	g	+	g	+	g	+	g	+	g	+	g	+
D	-	g	-	g	-	g	-	g	-	g	-	g	-	g	-	g	-	g	-	g	-	g	-	g	-
E	g	+	g	+	g	+	g	+	g	+	g	+	g	+	g	+	g	+	g	+	g	+	g	+	g
F	g	-	g	-	g	-	g	-	g	-	g	-	g	-	g	-	g	-	g	-	g	-	g	-	g

**NETLIST EXAMPLE**

C1/D1 - C1/D1  
A2/B2 - A2/B2  
.  
.  
.  
C25/D25 - C25/D25



**FLEX CIRCUIT DESIGN NOTES:**

1. FLEX CIRCUIT DESIGN PER IPC 2223
2. FLEX CIRCUIT CURRENT CAPACITY CALCULATED PER IPC 2221
3. USE 0.5 A PER CONTACT FOR POWER NETS.
4. SINGLE ENDED, DIFFERENTIAL, POWER AND GROUND SIGNALS MAY BE ARBITRARILY ASSIGNED.
5. IMPEDANCE CONTROL TOLERANCE ±10%

THIS DOCUMENT CONTAINS CONFIDENTIAL AND PROPRIETARY INFORMATION OF AMPHENOL INTERCON SYSTEMS AND MAY NOT BE DISCLOSED, REPRODUCED OR OTHERWISE USED WITHOUT WRITTEN PERMISSION				AMPHENOL INTERCON SYSTEMS INC. HARRISBURG, PA 17110	
ALL DIMENSIONS AND TOLERANCES PER ASME Y14.5M-1994 THIRDS ANGLE PROJECTION 		NAME <b>CSTACK FLEX CABLE ASSEMBLY CONFIGURATION DRAWING</b>			
INSPECTION ◇ FIRST PIECE △ SPC ○ IN-PROCESS		TOLERANCES UNLESS SPECIFIED OTHERWISE 2PLC ±.010 3PLC ±.005 4PLC ±.002 ANGLES ± 1°		SIZE <b>B</b>	PROD CODE 43
MATERIAL ○		FINISH ○		DRAWING NUMBER <b>C- 9952</b>	REV <b>3</b>
SCALE 1:2		CUSTOMER		SHEET 2 OF 4	

# EXPLODED VIEW

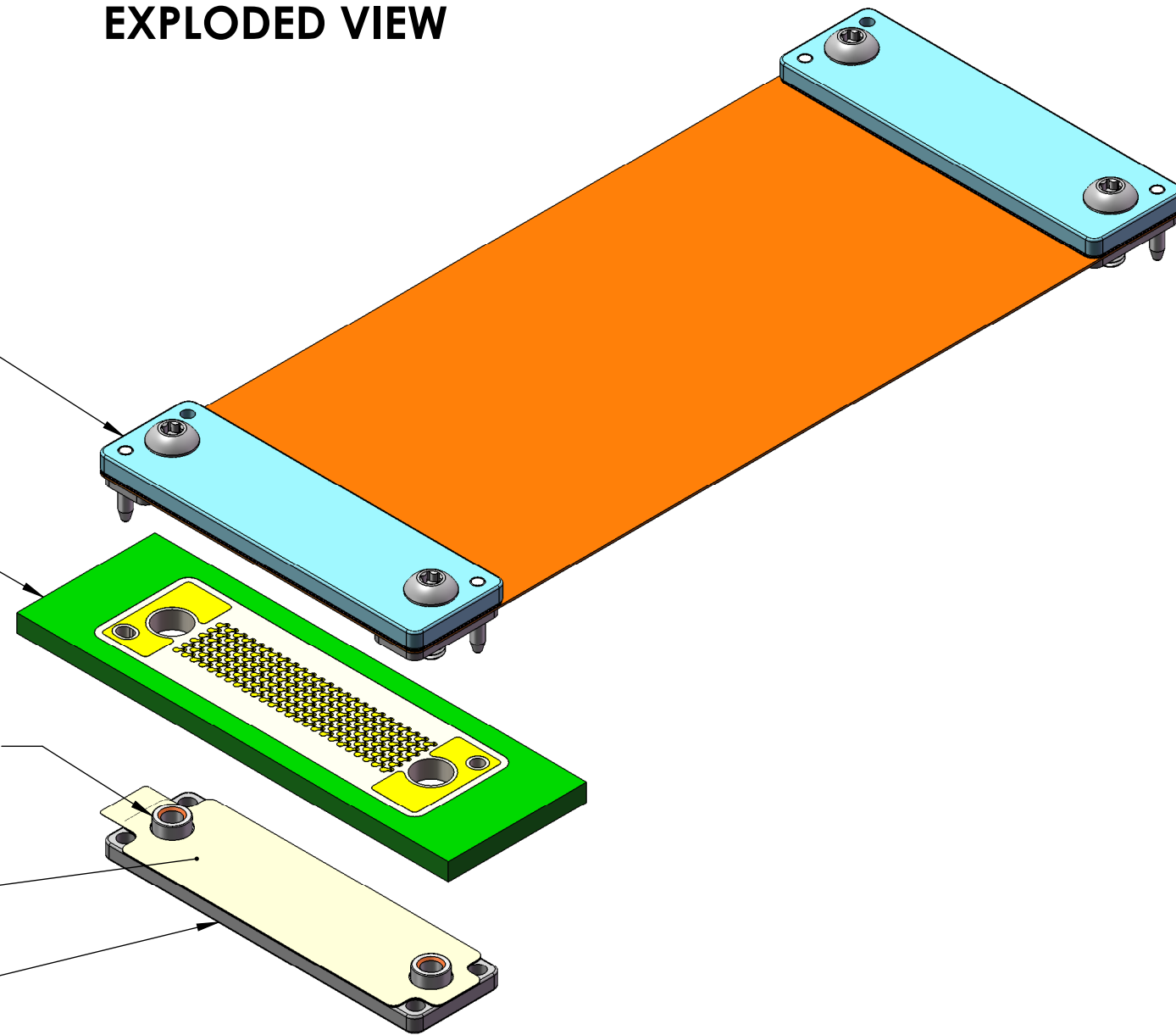
FLEX CABLE ASSEMBLY

CIRCUIT BOARD

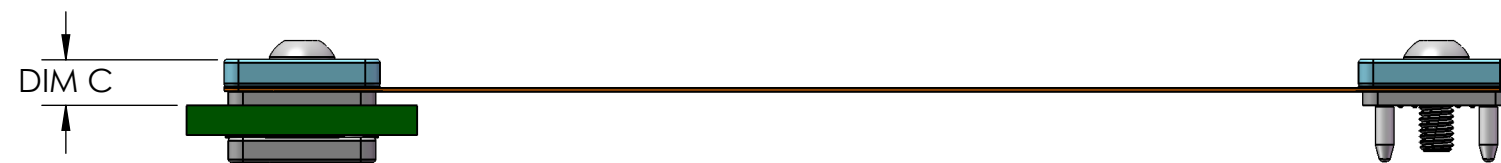
M3 X 0.5 THREADED INSERT

INSULATOR

PCB BOLSTER



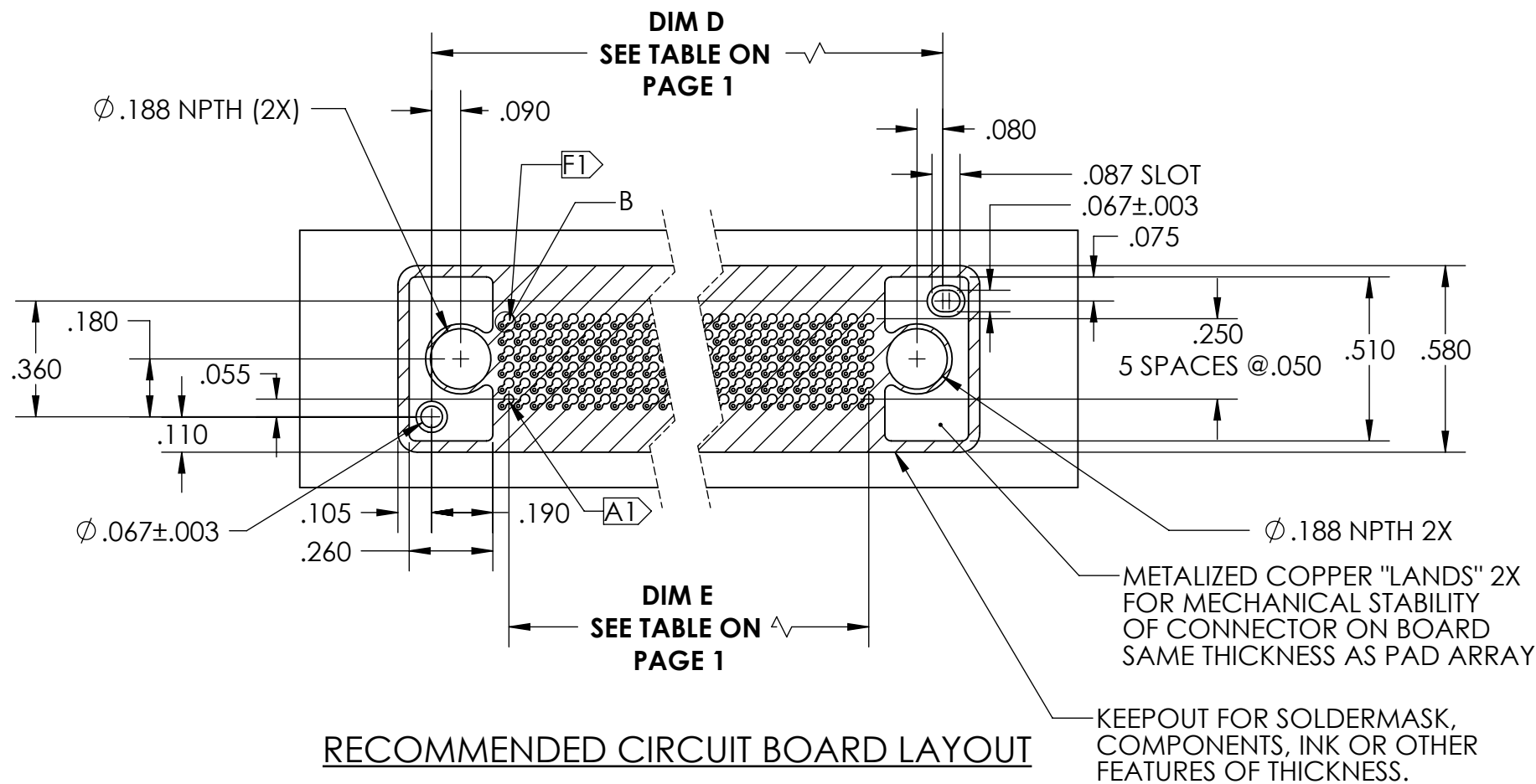
# MATED VIEW



THIS DOCUMENT CONTAINS CONFIDENTIAL AND PROPRIETARY INFORMATION OF AMPHENOL INTERCON SYSTEMS AND MAY NOT BE DISCLOSED, REPRODUCED OR OTHERWISE USED WITHOUT WRITTEN PERMISSION

ALL DIMENSIONS AND TOLERANCES PER ASME Y14.5M-1994	THIRD ANGLE PROJECTION
INSPECTION	TOLERANCES UNLESS SPECIFIED OTHERWISE
◇ FIRST PIECE	2PLC ± .010
△ SPC	3PLC ± .005
○ IN-PROCESS	4PLC ± .002
	ANGLES ± 1°
MATERIAL	FINISH

<b>Amphenol</b> InterCon Systems		AMPHENOL INTERCON SYSTEMS INC. HARRISBURG, PA 17110	
NAME <b>CSTACK FLEX CABLE ASSEMBLY CONFIGURATION DRAWING</b>			
SIZE <b>B</b>	PROD CODE 43	DRAWING NUMBER C- 9952	REV 3
SCALE 1:2	CUSTOMER		SHEET 3 OF 4



**NOTES:**

- 1. MATERIALS:**  
 cLGA HOUSING: LIQUID CRYSTAL POLYMER, UL 94 V-0, COLOR: BLACK.  
 cLGA CONTACT: BERYLLIUM COPPER, .0017 THICK, PLATED WITH 20 MICROINCHES MINIMUM HARD GOLD OVER 10 MICROINCHES MINIMUM SOFT GOLD OVER 30 TO 70 MICROINCHES SULFAMATE NICKEL.  
 FLEX CIRCUIT: COPPER/POLYIMIDE LAMINATE, UL 94 V-0.  
 BOLSTER: E-COATED COLD ROLLED STEEL.  
 INSULATOR: FLAME RETARDANT POLYPROPYLENE.  
 SCREW: STAINLESS STEEL.  
 LOCATOR PIN: STAINLESS STEEL.
- 2. PC BOARD PAD PLATING REQUIREMENTS:**  
 30 MICROINCHES MINIMUM HARD ELECTROPLATED GOLD OVER 100 MICROINCHES MINIMUM ELECTROPLATED NICKEL.
- 3. PC BOARD BOLSTERING REQUIREMENT:**  
 FLATNESS AT BOARD MATING FACE: .002" [.05 mm].  
 M3 X 0.5 THREADS TWO PLACES, CLEARANCE FOR ASSEMBLY PINS.  
 INSULATING MEMBER BETWEEN BOARD AND BOLSTER.
- 4. SCREW TORQUE REQUIREMENT:** 6-8 IN\*LB [0.7-0.9 N\*m]
- 5. ALL cLGA CONNECTORS SHOWN ON THIS DRAWING ARE ON A .050 X .050 PITCH.**
- 6. ALL UNITS ARE IN INCHES UNLESS OTHERWISE SPECIFIED.**

THIS DOCUMENT CONTAINS CONFIDENTIAL AND PROPRIETARY INFORMATION OF AMPHENOL INTERCON SYSTEMS AND MAY NOT BE DISCLOSED, REPRODUCED OR OTHERWISE USED WITHOUT WRITTEN PERMISSION		AMPHENOL INTERCON SYSTEMS INC. HARRISBURG, PA 17110	
ALL DIMENSIONS AND TOLERANCES PER ASME Y14.5M-1994 THIRD ANGLE PROJECTION		NAME <b>CSTACK FLEX CABLE ASSEMBLY CONFIGURATION DRAWING</b>	
INSPECTION ◇ FIRST PIECE △ SPC ○ IN-PROCESS	TOLERANCES UNLESS SPECIFIED OTHERWISE 2PLC ± .010 3PLC ± .005 4PLC ± .002 ANGLES ± 1°	SIZE <b>B</b>	PROD CODE 43
MATERIAL ○ FINISH ○		DRAWING NUMBER <b>C- 9952</b>	REV <b>3</b>
SCALE 2:1		CUSTOMER	SHEET 4 OF 4