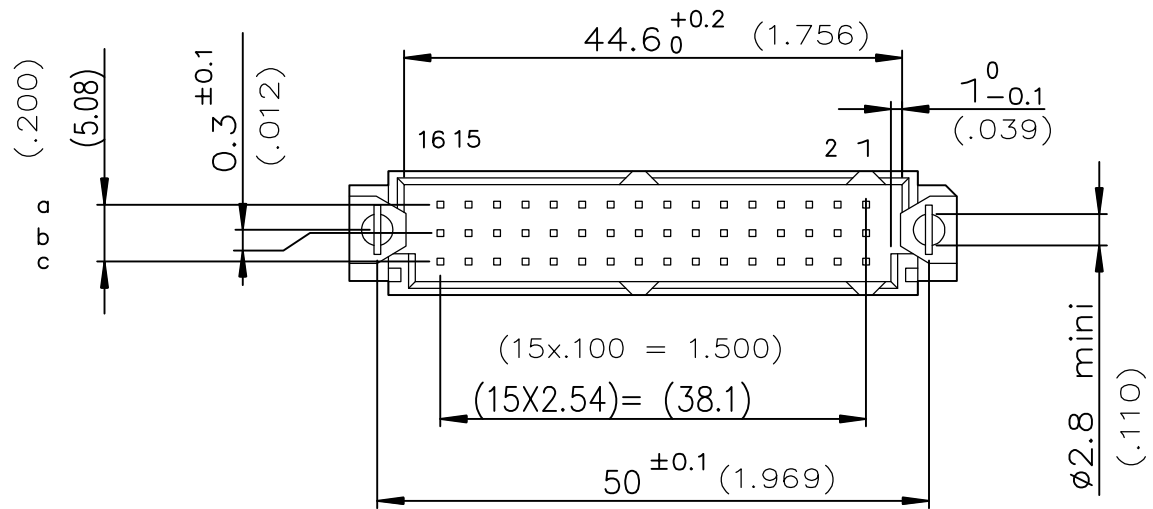
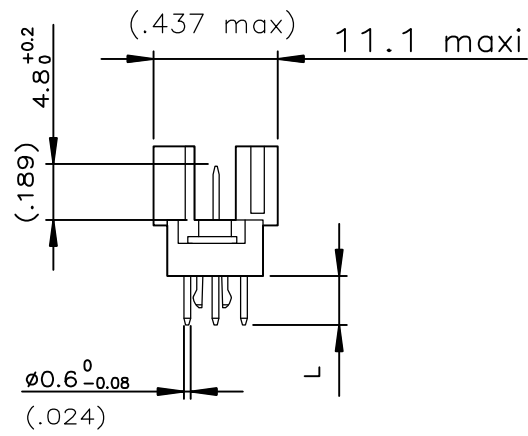
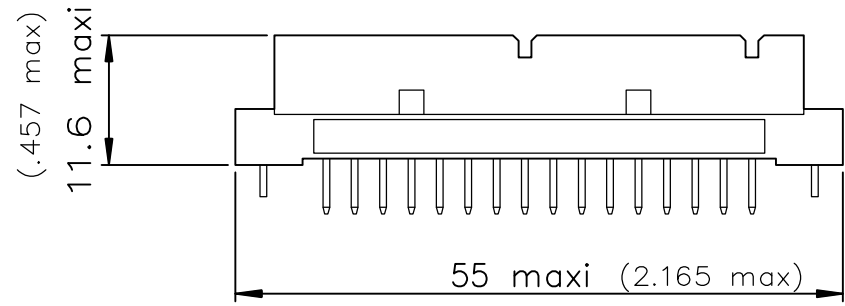
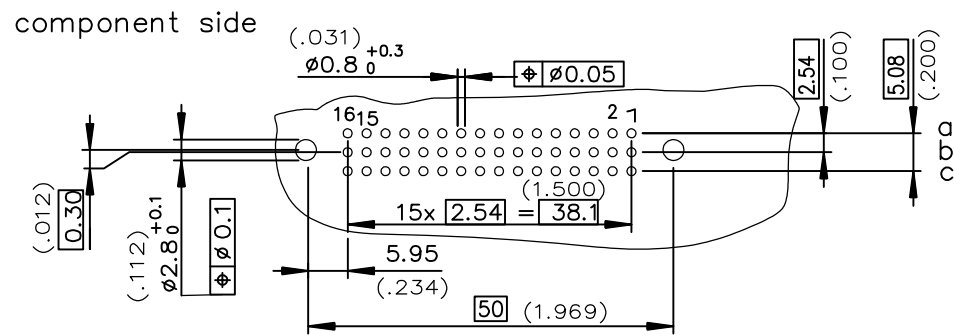


DIMENSIONS mm (inches)



PCB DRILLING



PART NUMBER	8609			76				5
PIN OUT	rows a-b-c	---	---	3	48			
	rows a-c	---	---	4	32			
	rows a-b	---	---	2	32			
NUMBER OF CONTACTS								
TERMINATION	L = 2.70 ±0.25 (.106)	---	---					24
	L = 4.65 ±0.25 (.183)	---	---					14
OPTIONS	no option	---	---					7
	with harpoons	---	---					H
		---	---					A
		---	---					R
PERFORMANCE CLASS	DIN 41612 class 3	---	---					4
	DIN 41612 class 2	---	---					5
	DIN 41612 class 1	---	---					6
TERMINATION TYPE	LEAD FREE	---	---					E1LF

mat'l. code	SEE DWG C-8609-0000A	surface	ISO 1302 ✓	tolerance	ISO 406 ISO 1101	projection	product family	8609		
ltr	ecn no	dr	date	tolerances unless otherwise specified		mm	title	STRAIGHT MALE - STYLE R/2		
B		ROU	1996/02/20	angles	.0±.1			scale 1.5	SOLDER TO BOARD	
C	LS05-001	JTA	2005/03/01	linear	.00±.1		dwg no		sheet 1 of 1	size
D	LS06-0095	LGO	2006/07/21	0°±2'	.000±.1			C-8609-0278		
E	LS08-0036	HLE	2008/01/31	dr	ROUILLARD	1992/07/07	Amphenol FCi		Product	Customer
F	ELX-I-24788	MJA	2016/08/23	engr	TARON	1992/07/07				
G	ELX-I-40614	MJA	2021/04/12	chr	M JACOB	2021/04/12				
				appd	SANOJ	2021/04/12				
sheet index	revision sheet	G	1							