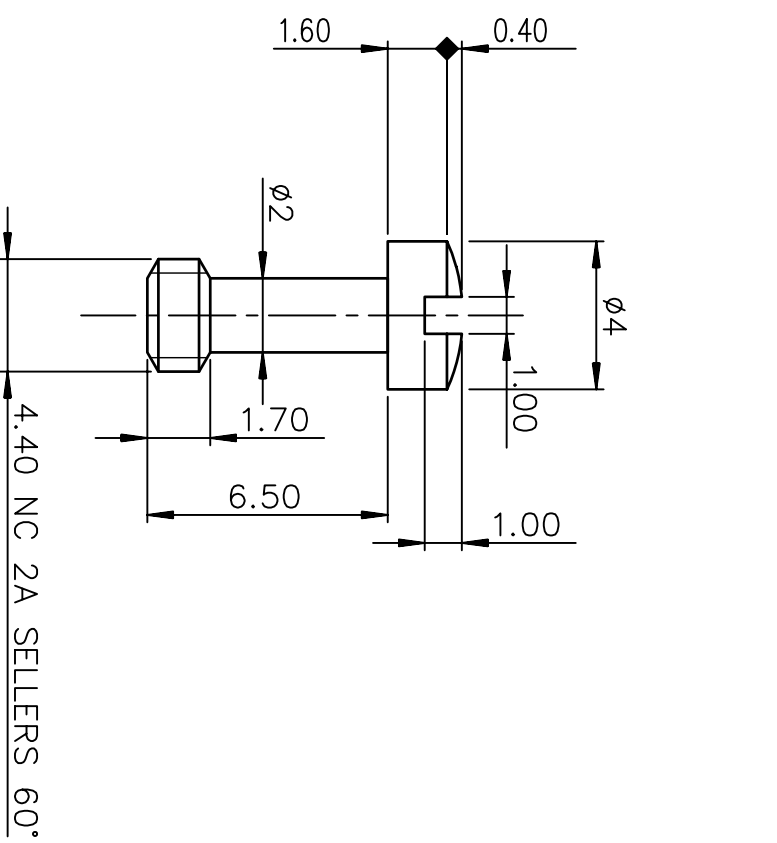
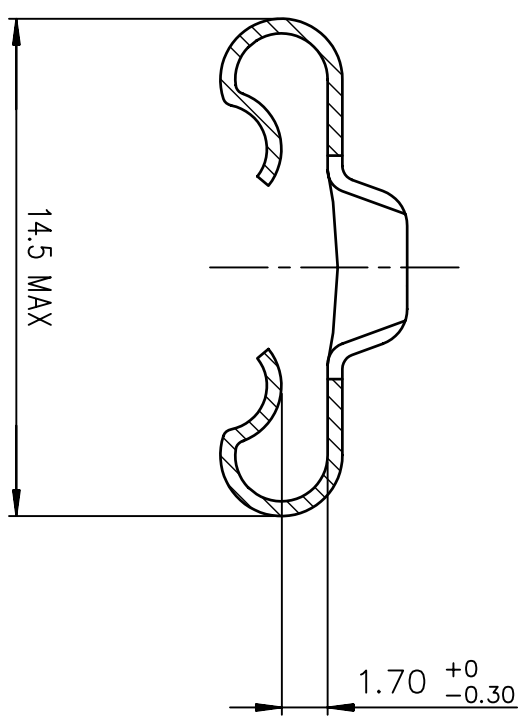
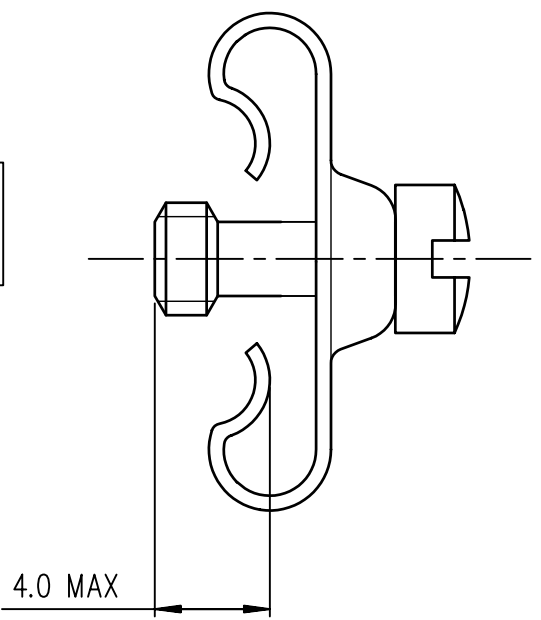


ASSEMBLY VIEW



NOTES

Pieces assembly
Packaging : per 100 piece
Material : steel



863004A	Yellow Chromate Cadmium 12µ over flash Nickel
PART NUMBER	PLATING

rev	ecn no	dr	date
D	-	CJA	2002/08/29
E	LS06-0101	MPE	2006/06/27
F	LS09-0006	PCR	2009/01/08
G	EX-H-01686	PK	2012/05/21

www.fciconnect.com		surface	ISO 1302	tolerance std	ISO 406 ISO 1101	projection	mm
Dr	JOUBERT	1994/05/07	ANGULAR	0.X	±0.1	size	A3
Eng	JARRY	2002/08/29	LINEAR	0.XX	±0.1	Scale	5
Chr	P.LEGARE	2009/01/08	0.XX ± 2	0.XXX	±0.1	ECN	ELX-H-011686
Appr	P.LEGARE	2009/01/08	Product family		D-SUB	Spec ref	-
FCI		MALE SCREW LOCKS		D SUB ACCESSORIES		C01-8655-0654	
catalog no		-		-		Rev. G	

European Views