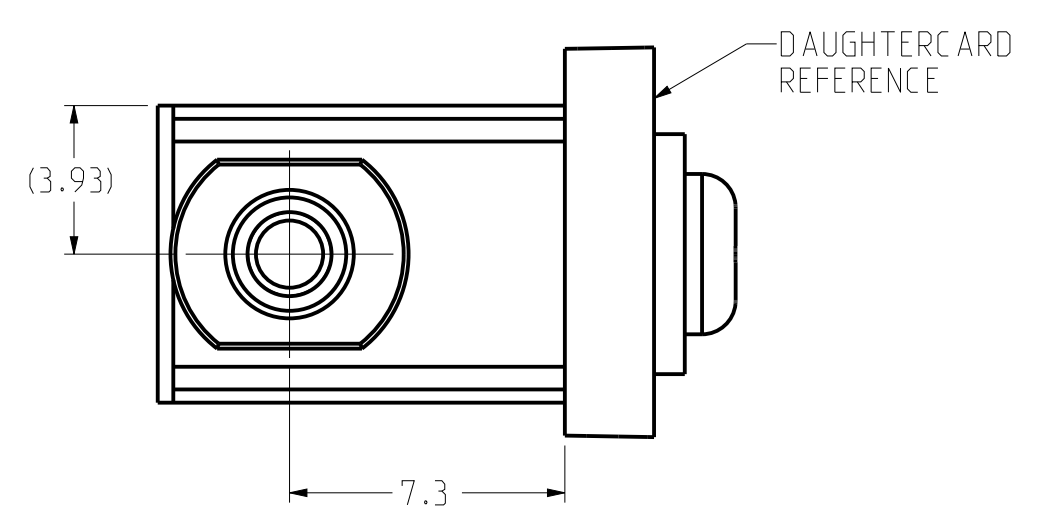
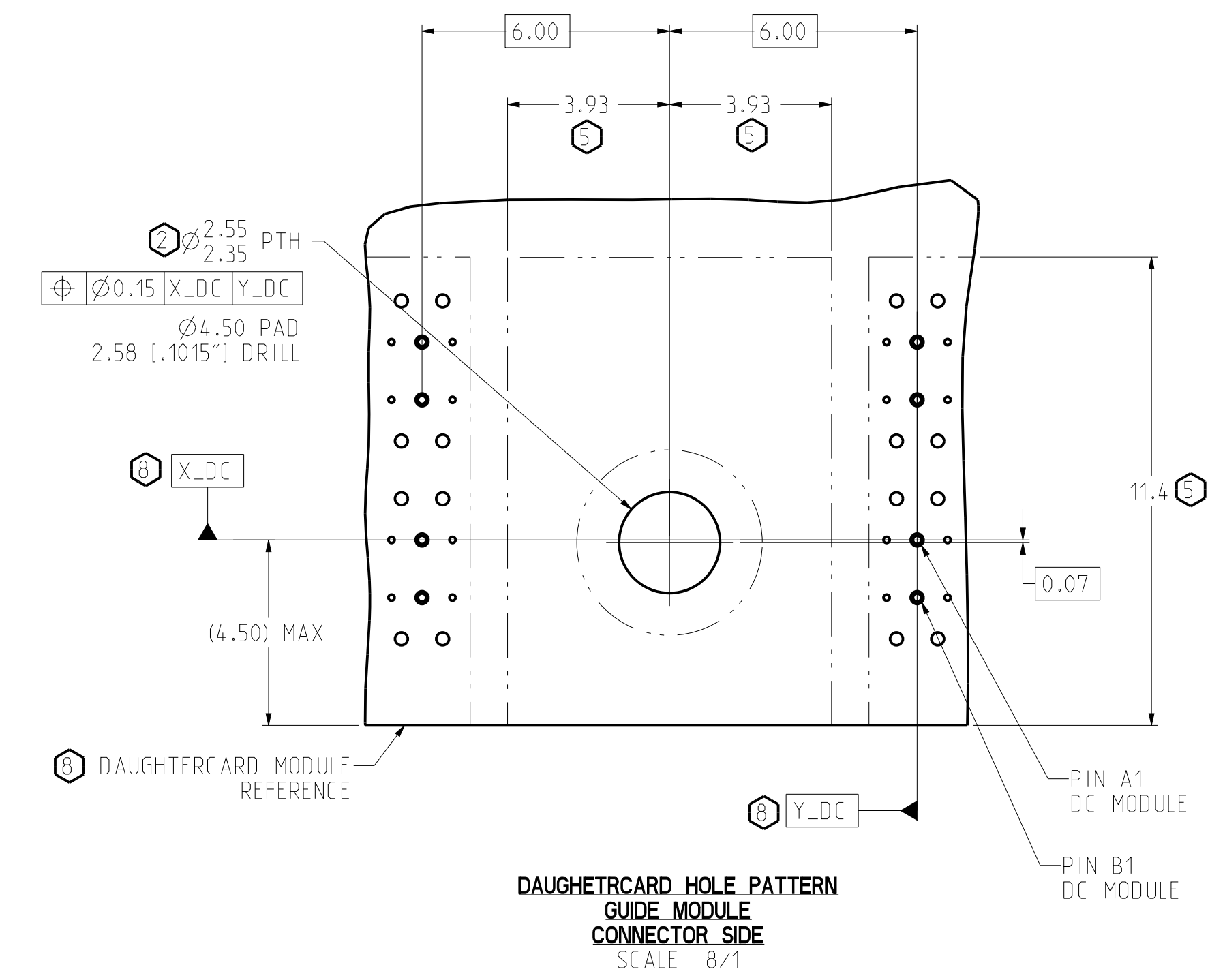
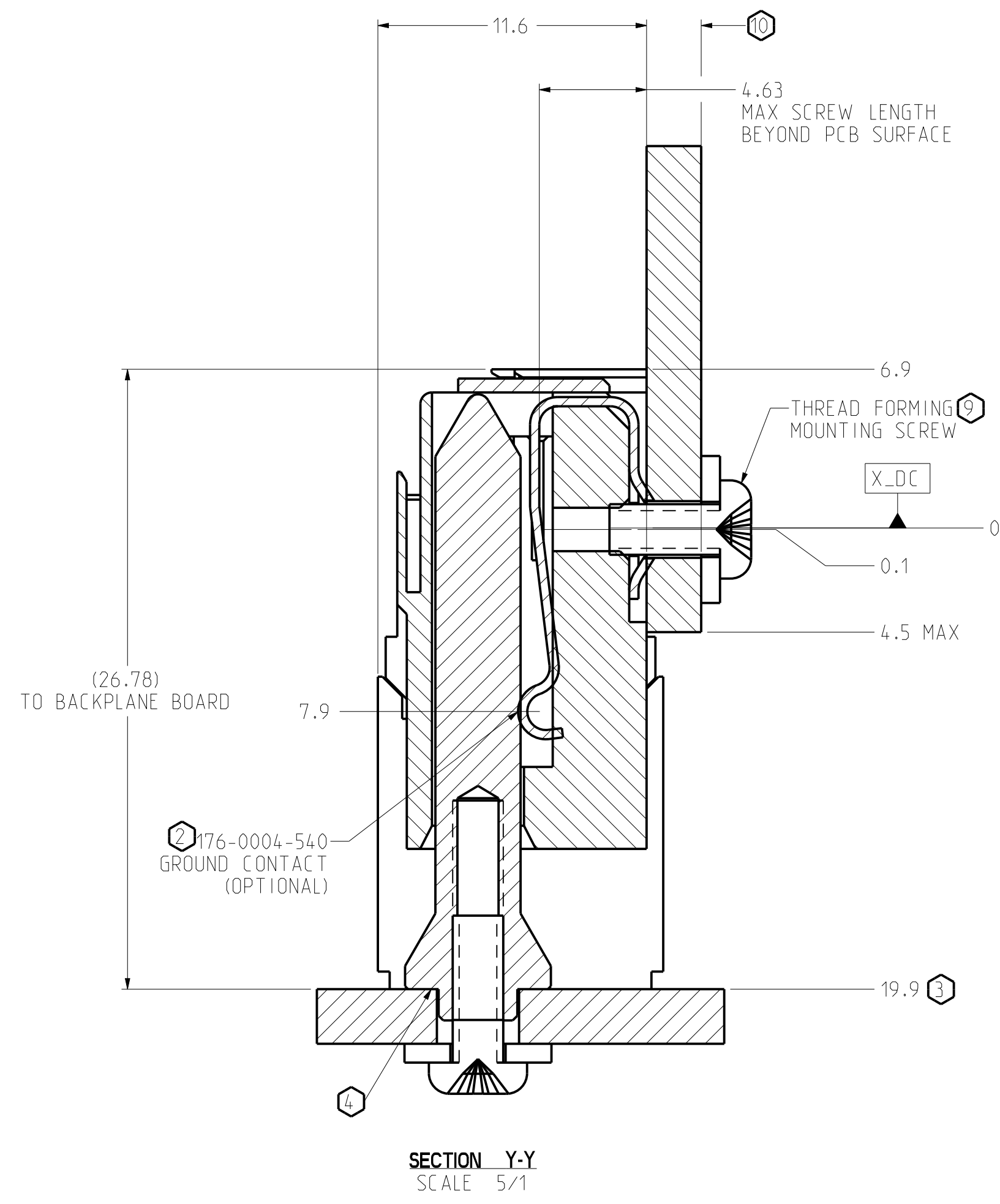
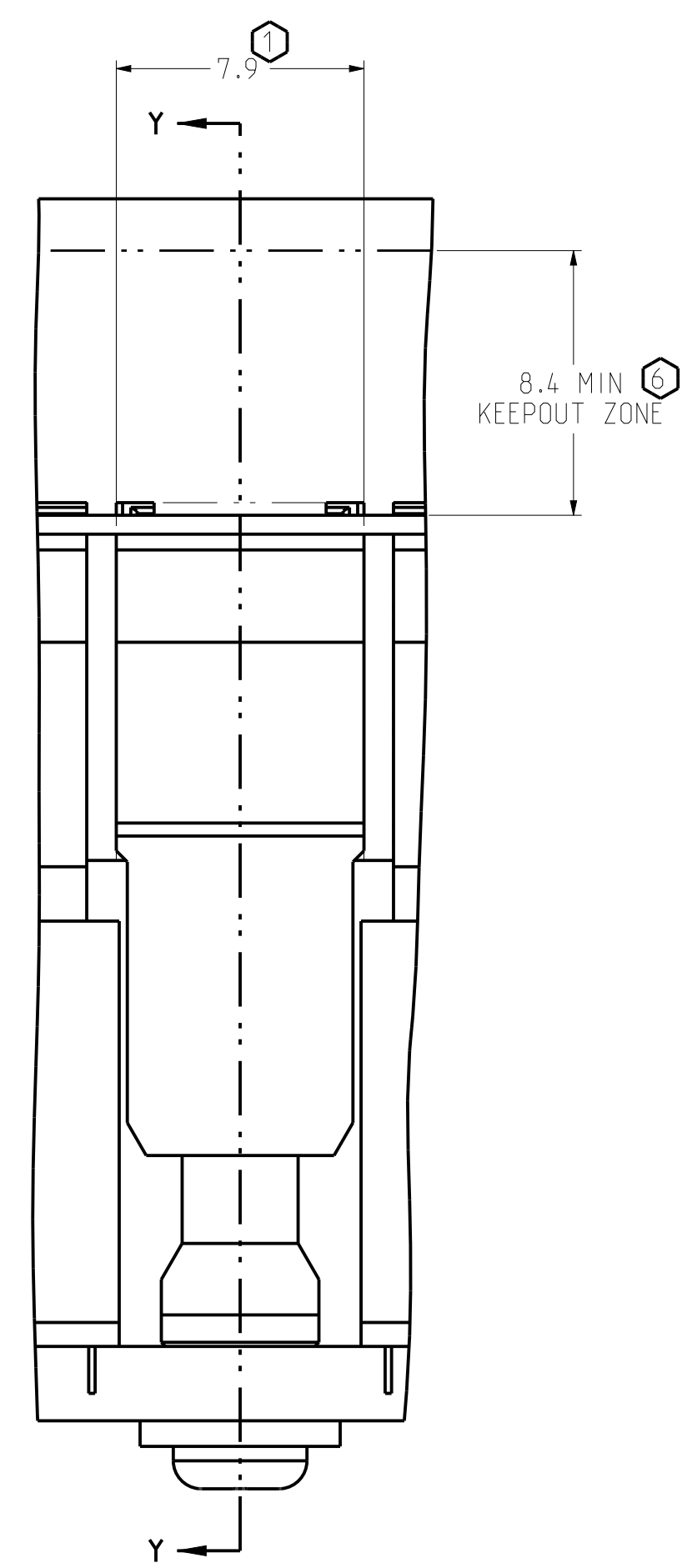


ZONE	REV	SCR NUMBER	DESCRIPTION	BY	DATE	APPROVED
ALL	1.0	SYDH-AHGNJD.VER01	NEW RELEASE	HCL-SD	01/11/2017	S.YOEUTH

TABLE 1 - RAF GUIDE MODULE, 2 PAIR

PART NUMBER	GROUND CONTACT	KEY POSITION
108-1211-200	NO	NO KEY
108-1211-201	YES	NO KEY



RAF GUIDE MODULE WITHOUT POST

- NOTES:
- (1) USE 7.9 NOMINAL FOR DAUGHTERCARD LAYOUT.
 - (2) PLATED THROUGH HOLE TO CONNECT TO CHASSIS FOR FIRST MATE GROUND OPTION THROUGH GUIDE PIN. SEE TB2322 FOR ROUTING GUIDELINES. USE UNPLATED THROUGH HOLE FOR UNGROUNDED MODULE.
 - (3) NOMINAL DIMENSION FOR FULLY SEATED CONNECTOR.
 - (4) FOR MATING GUIDE PIN DETAIL AND LOCATION, SEE: DRAWING C564-0469-500 FOR STANDALONE GUIDE PIN OR DRAWING C131-20XX-500 FOR MODULE MOUNTED GUIDE PIN. DRAWING C133-2000-500 FOR DO MOUNTED GUIDE PIN.
 - (5) NO SURFACE TRACES IN KEEP-OUT ZONE.
 - (6) FOR CONNECTOR REPAIRABILITY, USE KEEP OUT ZONE.
 - (7) SEE TB-XXXX FOR BOARD WEIGHT LIMITATIONS.
 - (8) REFER TO C130-2X00-500 FOR SIGNAL CONNECTOR DETAIL.
 - (9) SCREW LENGTH AND PART NUMBER ARE DEPENDENT ON DAUGHTERCARD THICKNESS (AS SPECIFIED FROM CONFIGURATOR).
 - (10) REFER TO ROUTING GUIDELINES FOR MIN PCB THICKNESS.

TOLERANCES		DESIGN 09/01/2015 M.RECEPUTO	Amphenol TCS A Division of Amphenol Corporation 200 Innovative Way, Nashua, NH 03062 603.879.3000	TITLE RAF GUIDE MODULE, 2 PAIR PALADIN PART NO. SEE TABLE 1 DRAWING NO. C-108-1211-500 ASSEM Q1221-P1-2PR-DC-BP-GUIDE-CU 0.0 DRAWING Q1221-2PR-GUIDE-CU 0.1 SCALE 5/1 SHEET 1 OF 1
0.0	±0.25	DRAWN 12/20/2016 HCL-RM		
0.00	±0.13	CHK 12/20/2016 J.DUNHAM		
0.000	± -	APVD 12/20/2016 J.DUNHAM		
ANGLES ± 3°		UNLESS OTHERWISE SPECIFIED DIMENSIONS ARE IN MM. DECIMAL MARKER IS A PERIOD.		REV N/A
INTERPRET PER ASME Y14.5M CODE IDENT 314.13		CUSTOMER USE DRAWING		REV 1.0

DRW NO. C-108-1211-500 SH 1 REV 1.0