

ZONE	REV	SCR NUMBER	DESCRIPTION	BY	DATE	APPROVED
ALL	1.0	SYOH-AGNTDQ.VER01	NEW RELEASE	HCL-SD	12/20/2016	S.YOEUTH

TABLE 1 - RAF GUIDE MODULE, 3 PAIR, W/ POST

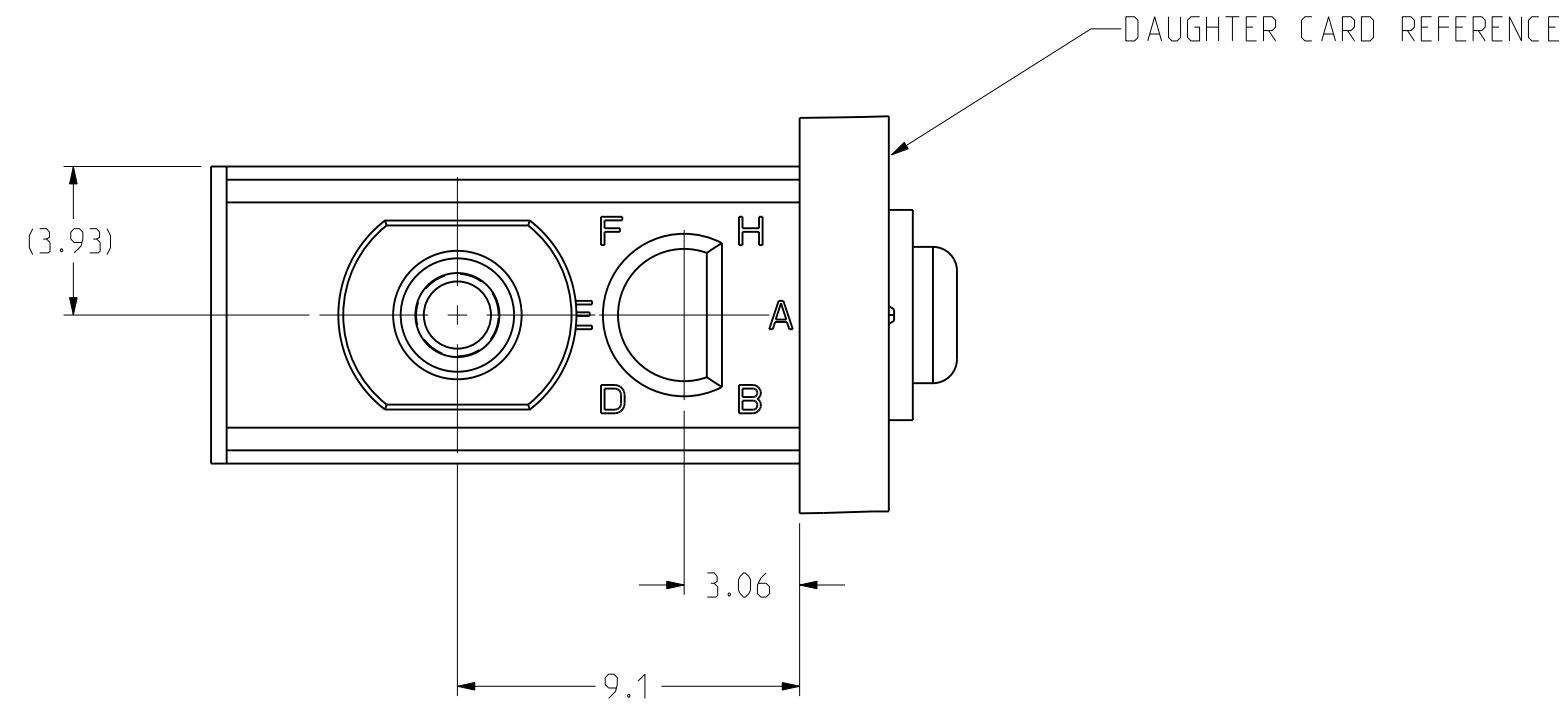
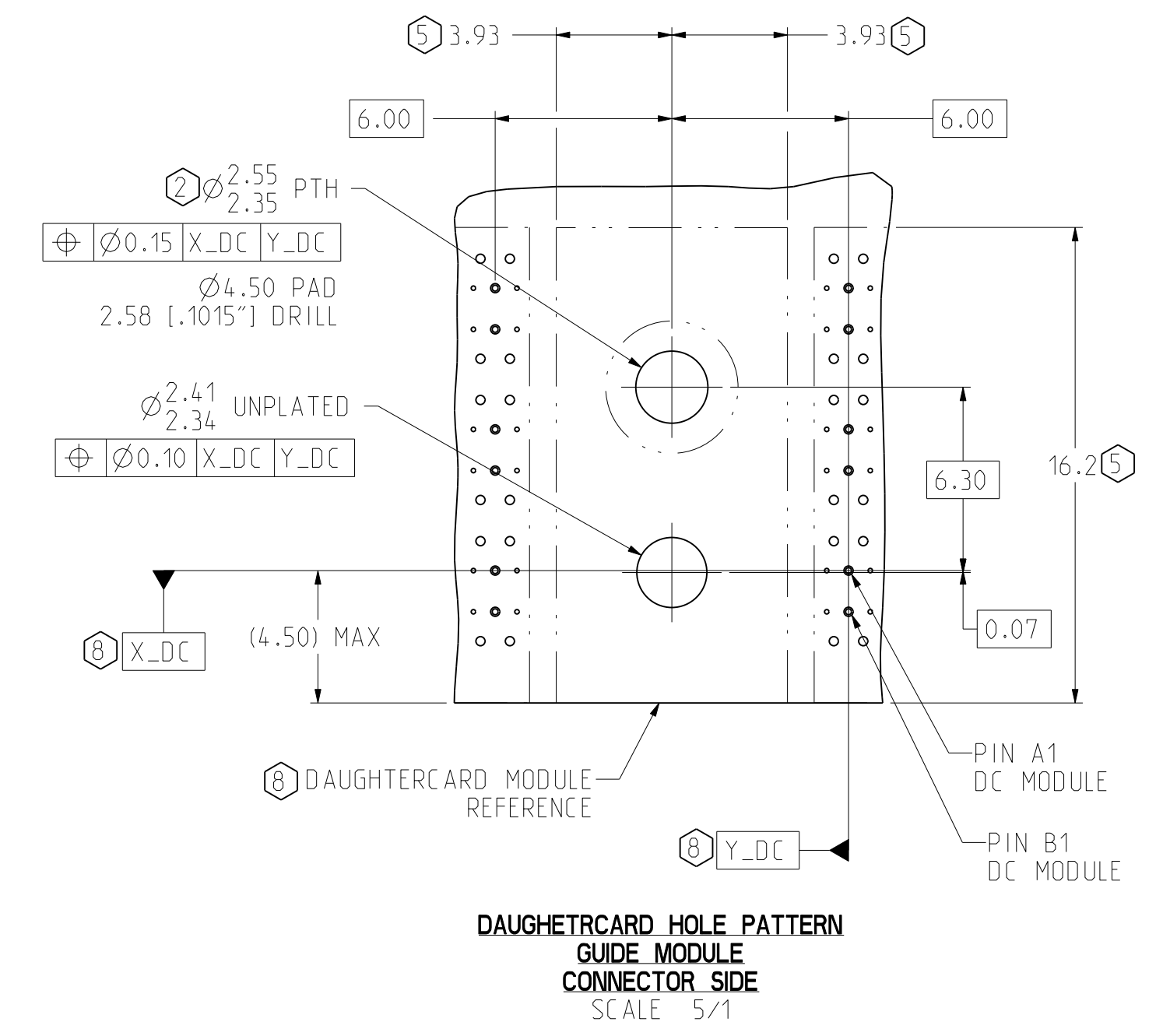
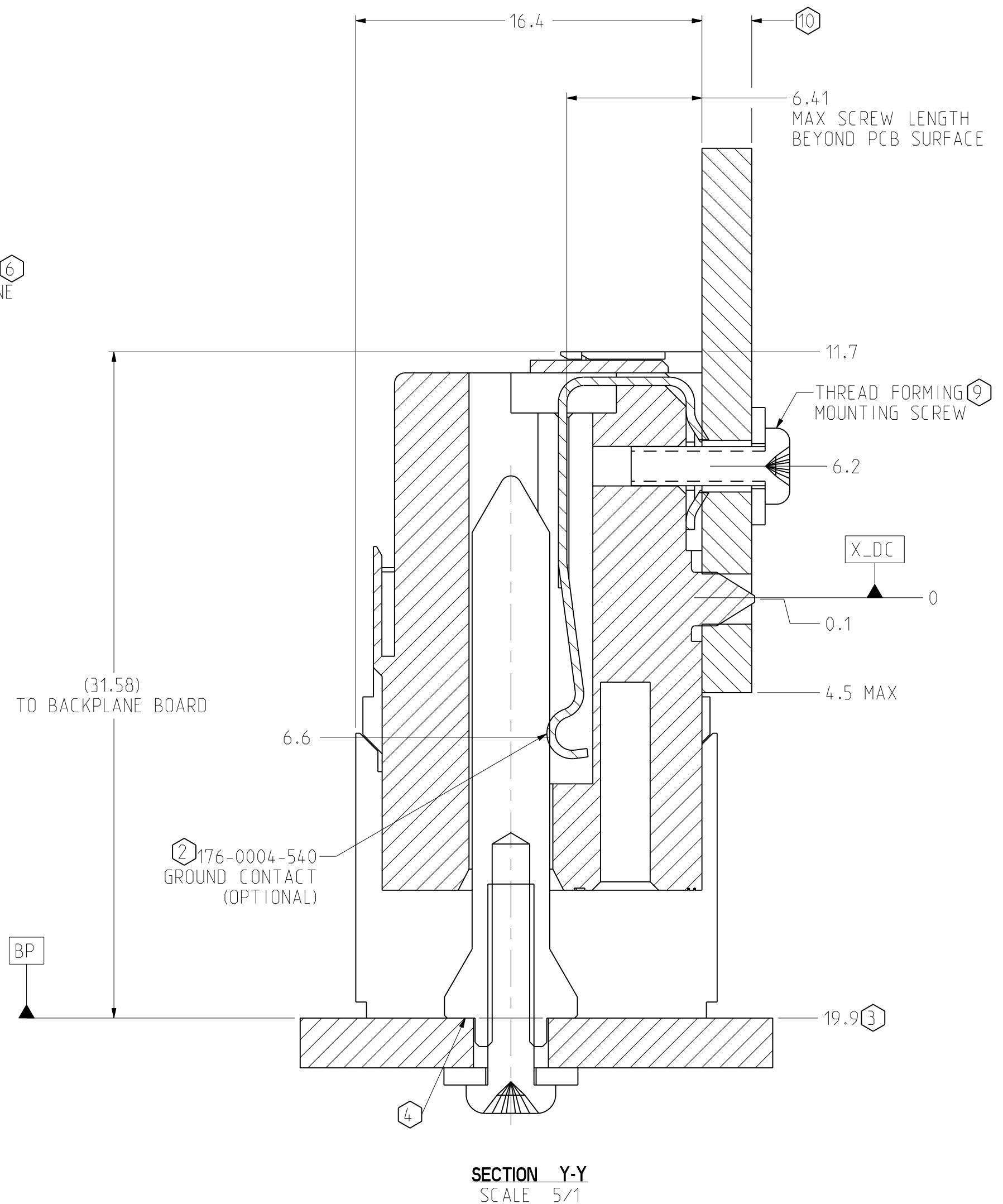
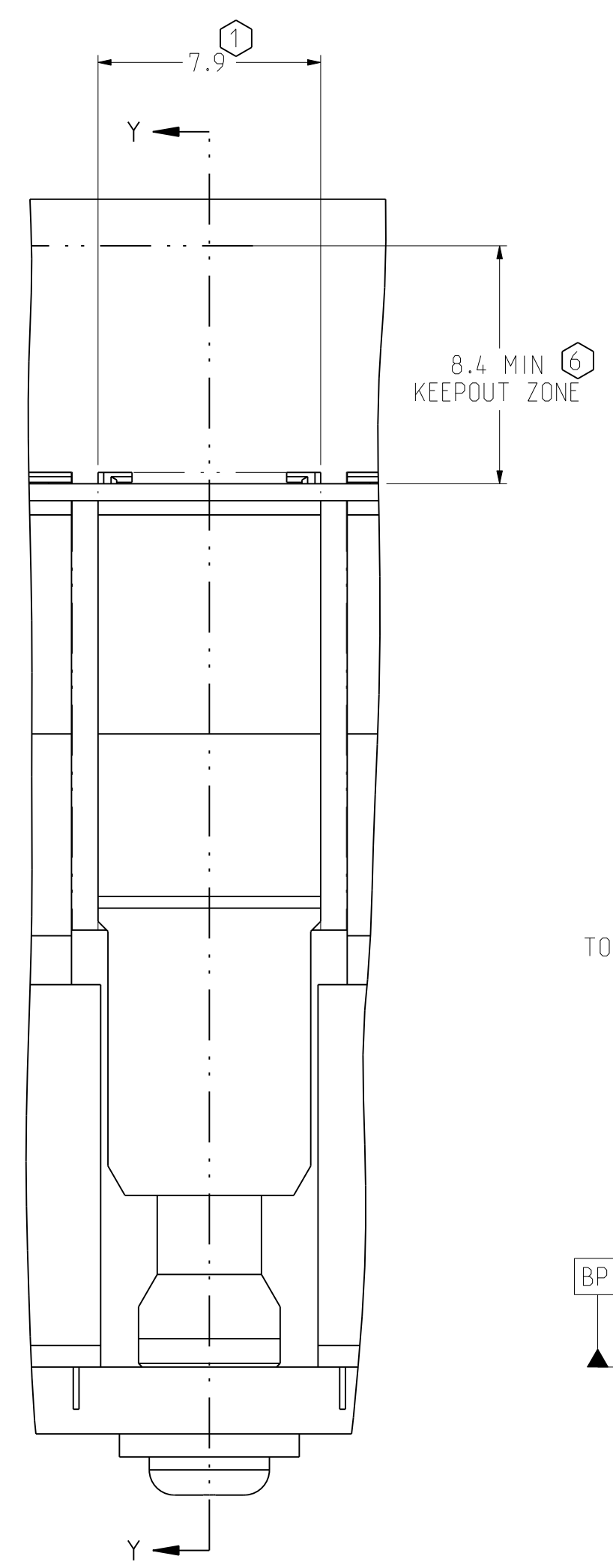
PART NUMBER	GROUND CONTACT	KEY POSITION
108-1311-1A1	YES	A
108-1311-1B1	YES	B
108-1311-1C1	YES	C
108-1311-1D1	YES	D
108-1311-1E1	YES	E
108-1311-1F1	YES	F
108-1311-1G1	YES	G
108-1311-1H1	YES	H
108-1311-1O1	YES	NO KEY
108-1311-1A0	NO	A
108-1311-1B0	NO	B
108-1311-1C0	NO	C
108-1311-1D0	NO	D
108-1311-1E0	NO	E
108-1311-1F0	NO	F
108-1311-1G0	NO	G
108-1311-1H0	NO	H
108-1311-1O0	NO	NO KEY

TABLE 2 - RAF GUIDE MODULE, 3 PAIR W/O POST

PART NUMBER	GROUND CONTACT	KEY POSITION
108-1311-2A1	YES	A
108-1311-2B1	YES	B
108-1311-2C1	YES	C
108-1311-2D1	YES	D
108-1311-2E1	YES	E
108-1311-2F1	YES	F
108-1311-2G1	YES	G
108-1311-2H1	YES	H
108-1311-2O1	YES	NO KEY
108-1311-2A0	NO	A
108-1311-2B0	NO	B
108-1311-2C0	NO	C
108-1311-2D0	NO	D
108-1311-2E0	NO	E
108-1311-2F0	NO	F
108-1311-2G0	NO	G
108-1311-2H0	NO	H
108-1311-2O0	NO	NO KEY

TABLE 3

POSITION	X° ±3°	ORIENTATION
A	90	
B	45	
C	0	
D	45	
E	90	
F	45	
G	0	
H	45	
NO KEY	N/A	



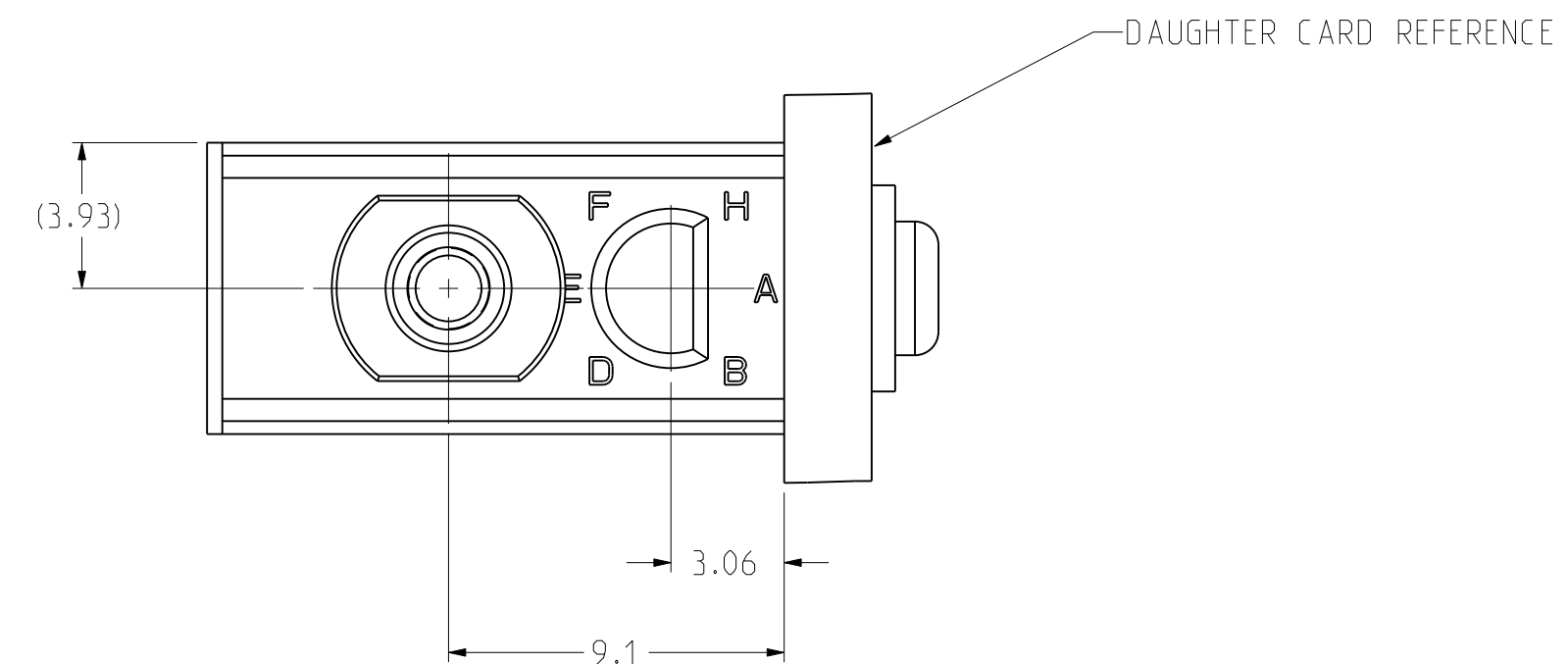
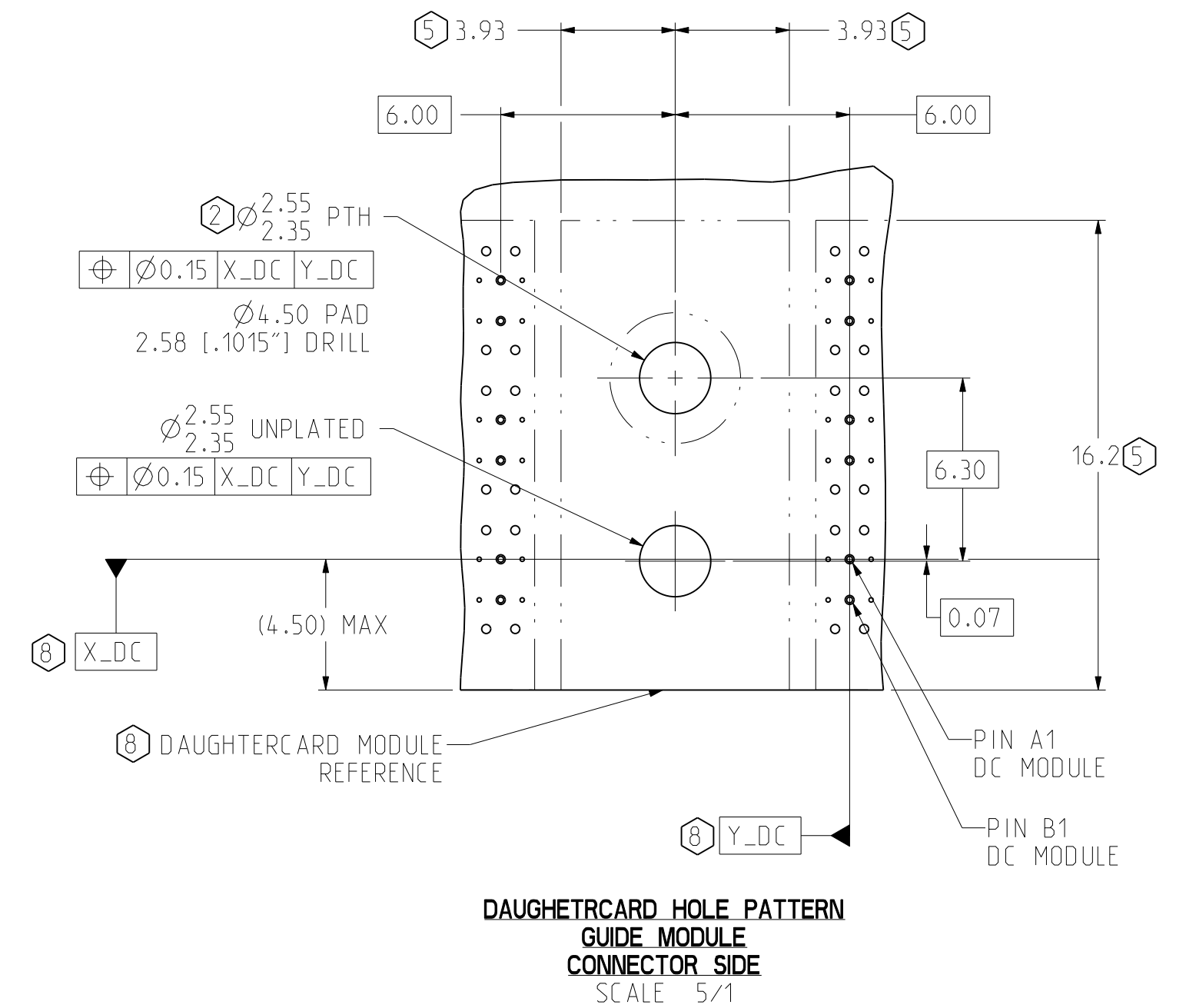
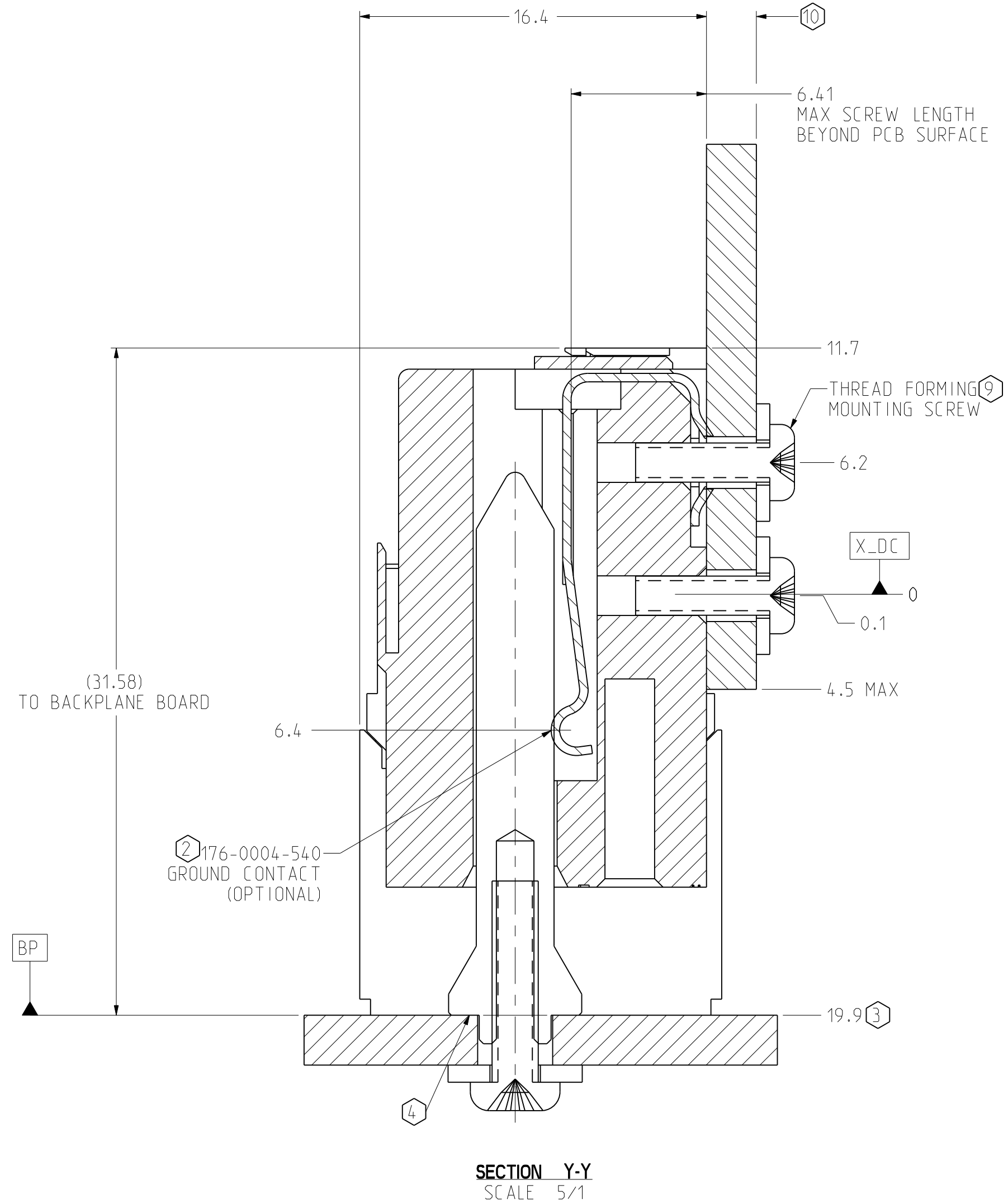
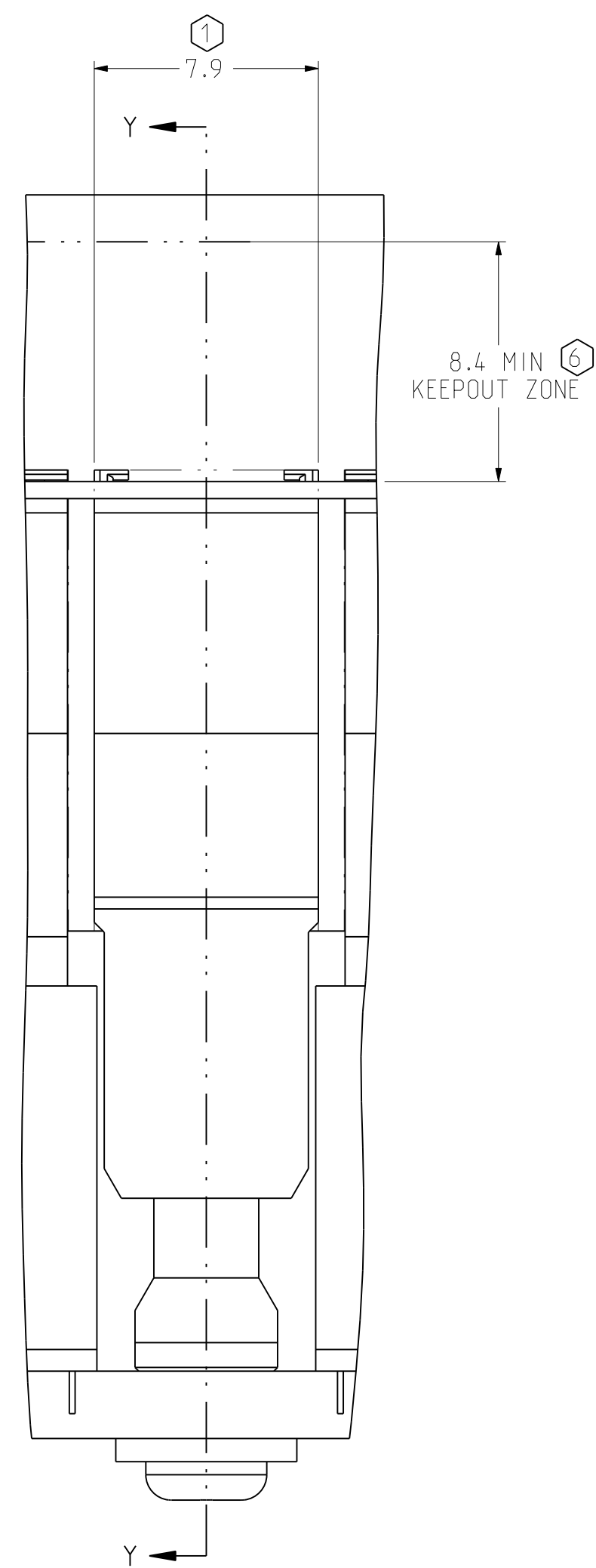
RAF GUIDE MODULE WITH POST

- NOTES:
- USE 7.9 NOMINAL FOR DAUGHTERCARD LAYOUT.
 - PLATED THROUGH HOLE TO CONNECT TO CHASSIS FOR FIRST MATE GROUND OPTION THROUGH GUIDE PIN. SEE TB2322 FOR ROUTING GUIDELINES. USE UNPLATED THROUGH HOLE FOR UNGROUNDED MODULE.
 - NOMINAL DIMENSION FOR FULLY SEATED CONNECTOR.
 - FOR MATING GUIDE PIN DETAIL AND LOCATION, SEE: DRAWING C564-0469-500 FOR STANDALONE GUIDE PIN OR DRAWING C131-30XX-500 FOR MODULE MOUNTED GUIDE PIN. DRAWING C133-3000-500 FOR DO MOUNTED GUIDE PIN.
 - NO SURFACE TRACES IN KEEP-OUT ZONE.
 - FOR CONNECTOR REPAIRABILITY, USE KEEP OUT ZONE.
 - SEE TB-XXXX FOR BOARD WEIGHT LIMITATIONS.
 - REFER TO C130-3X00-500 FOR SIGNAL CONNECTOR DETAIL.
 - SCREW LENGTH AND PART NUMBER ARE DEPENDENT ON DAUGHTERCARD THICKNESS (AS SPECIFIED FROM CONFIGURATOR).
 - REFER TO ROUTING GUIDELINES FOR MIN PCB THICKNESS.

TOLERANCES		DESIGN 12/12/2016 M.RECEPUTO	Amphenol TCS A Division of Amphenol Corporation 200 Innovative Way, Nashua, NH 03082 603.879.3000	TITLE	
0.0	±0.25	DRAWN 12/12/2016 HCL-ST		RAF GUIDE MODULE, 3 PAIR PALADIN	
0.00	±0.13	CHK 12/12/2016 J.DUNHAM		PART NO. SEE TABLE 1-2	
0.000	± -	APVD 12/12/2016 J.DUNHAM		DRAWING NO. C-108-1311-500	
ANGLES ± 3°		UNLESS OTHERWISE SPECIFIED DIMENSIONS ARE IN MM. DECIMAL MARKER IS A PERIOD		REV 1.0	
CODE IDENT 31413		CUSTOMER USE DRAWING		SHEET 1 OF 2	

DRW NO. C-108-1311-500 SH 1 REV 1.0

ZONE	REV	SCR NUMBER	DESCRIPTION	BY	DATE	APPROVED
			SEE SHEET 1			



RAF GUIDE MODULE WITHOUT POST

TOLERANCES	DESIGN	12/12/2016	Amphenol TCS A Division of Amphenol Corporation 200 Innovative Way, Nashua, NH 03062 603.879.3000	TITLE	RAF GUIDE MODULE, 3 PAIR PALADIN		
	0.0	±0.25			PART NO.	SEE TABLE 1-2	
	0.00	±0.13				DRAWING NO.	C-108-1311-500
	0.000	± -					PART Q1221-3PR-DC-GUIDE-PCB-WO-POST 0.0
ANGLES	± 3°	DRAWING Q1221-3PR-GUIDE-CU 0.4					
UNLESS OTHERWISE SPECIFIED DIMENSIONS ARE IN MM. DECIMAL MARKER IS A PERIOD		CUSTOMER USE DRAWING		SIZE	D		
INTERPRET PER ASME Y14.5M		CODE IDENT 314.13		SCALE	1/1		
				SHEET	2 OF 2		