

ZONE	REV	SCR NUMBER	DESCRIPTION	BY	DATE	APPROVED
ALL	1.0		NEW RELEASE	HCL-WS	09/01/2015	J.DUNHAM
	2.0	MOSE-AGSRP2.VER01	REPLACED MODELS FROM P0.5 TO P1 RENAMED TABLE 2 TO 3. ADDED NEW TABLE 2 & UPDATED NOTE 4	HCL-ST	11/24/2016	J.DUNHAM

TABLE 1 - RAF GUIDE MODULE, 4 PAIR, W/ POST

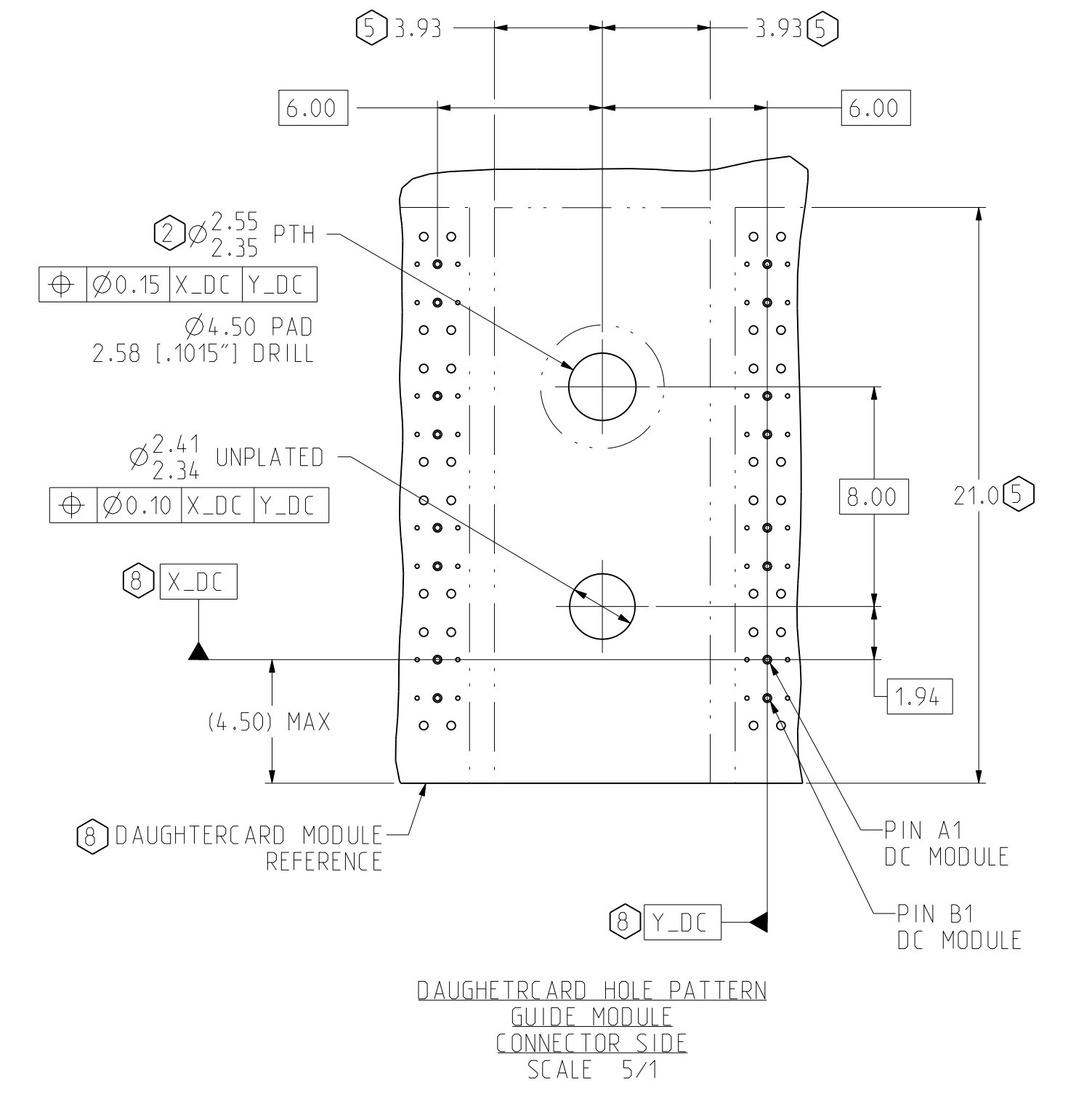
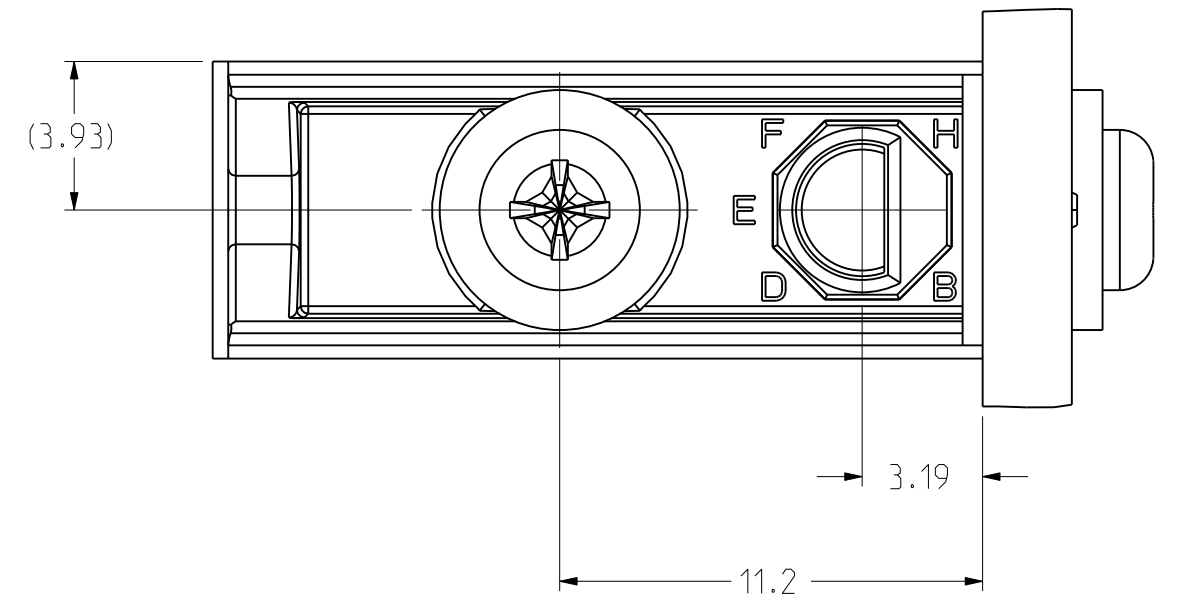
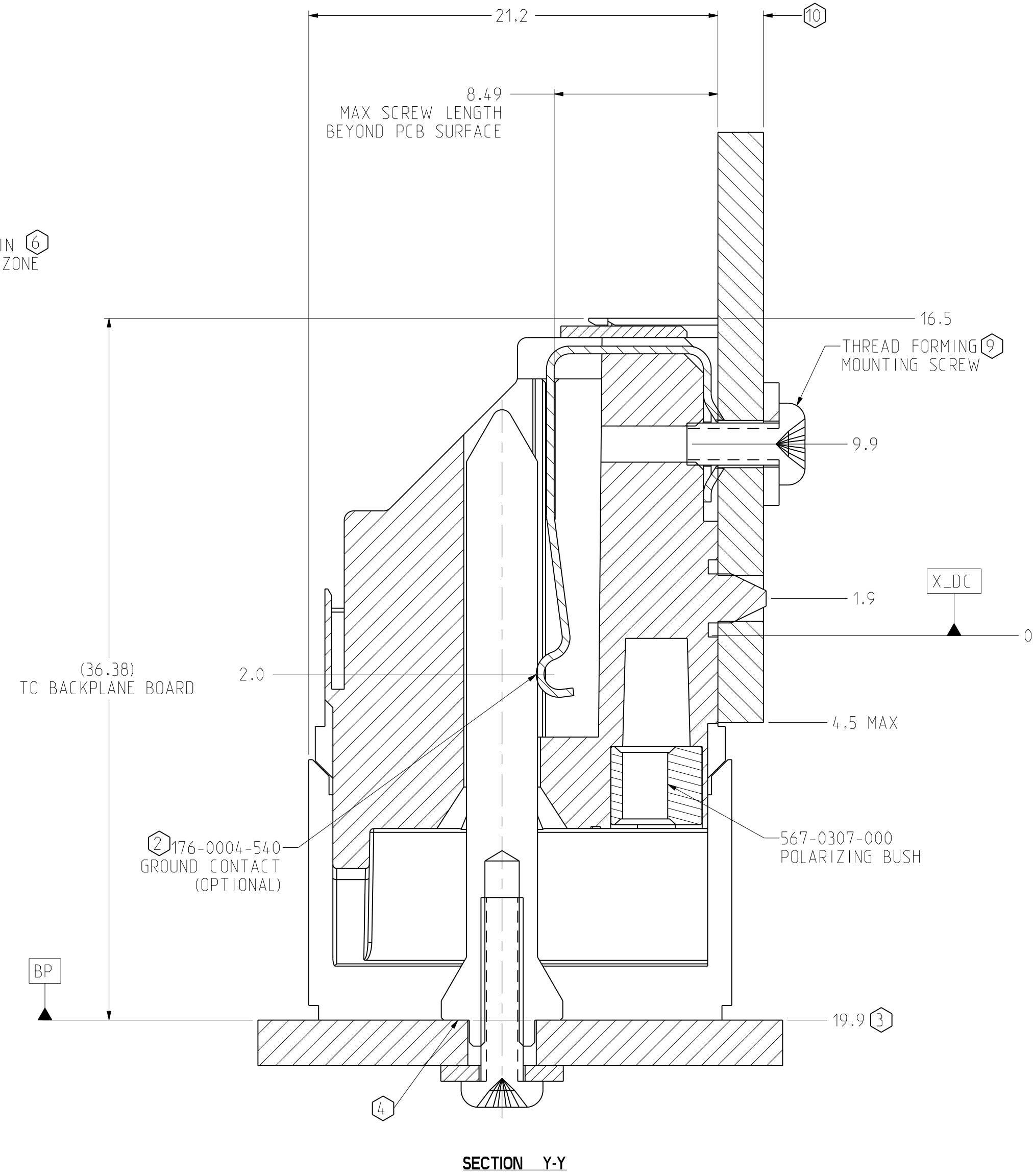
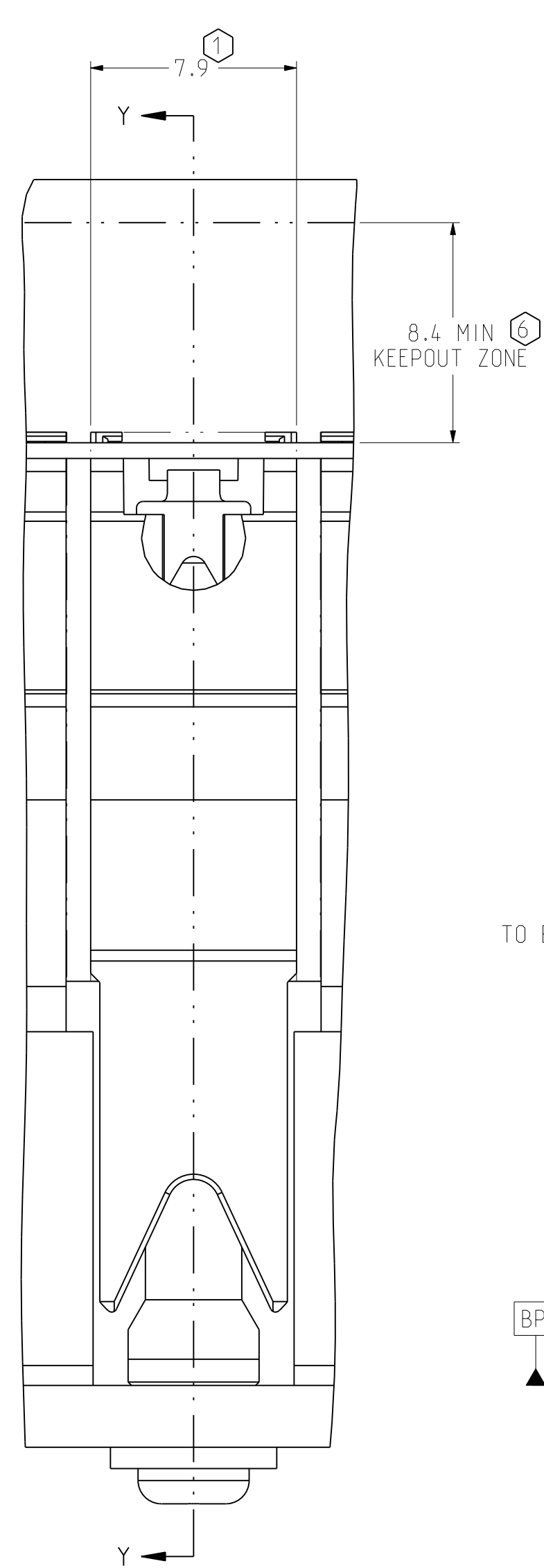
PART NUMBER	GROUND CONTACT	KEY POSITION
108-1411-1A1	YES	A
108-1411-1B1	YES	B
108-1411-1C1	YES	C
108-1411-1D1	YES	D
108-1411-1E1	YES	E
108-1411-1F1	YES	F
108-1411-1G1	YES	G
108-1411-1H1	YES	H
108-1411-1O1	YES	NO KEY
108-1411-1A0	NO	A
108-1411-1B0	NO	B
108-1411-1C0	NO	C
108-1411-1D0	NO	D
108-1411-1E0	NO	E
108-1411-1F0	NO	F
108-1411-1G0	NO	G
108-1411-1H0	NO	H
108-1411-1O0	NO	NO KEY

TABLE 2 - RAF GUIDE MODULE, 4 PAIR W/O POST

PART NUMBER	GROUND CONTACT	KEY POSITION
108-1411-2A1	YES	A
108-1411-2B1	YES	B
108-1411-2C1	YES	C
108-1411-2D1	YES	D
108-1411-2E1	YES	E
108-1411-2F1	YES	F
108-1411-2G1	YES	G
108-1411-2H1	YES	H
108-1411-2O1	YES	NO KEY
108-1411-2A0	NO	A
108-1411-2B0	NO	B
108-1411-2C0	NO	C
108-1411-2D0	NO	D
108-1411-2E0	NO	E
108-1411-2F0	NO	F
108-1411-2G0	NO	G
108-1411-2H0	NO	H
108-1411-2O0	NO	NO KEY

TABLE 3

POSITION	X° ±3°	ORIENTATION
A	90	
B	45	
C	0	
D	45	
E	90	
F	45	
G	0	
H	45	
NO KEY	N/A	

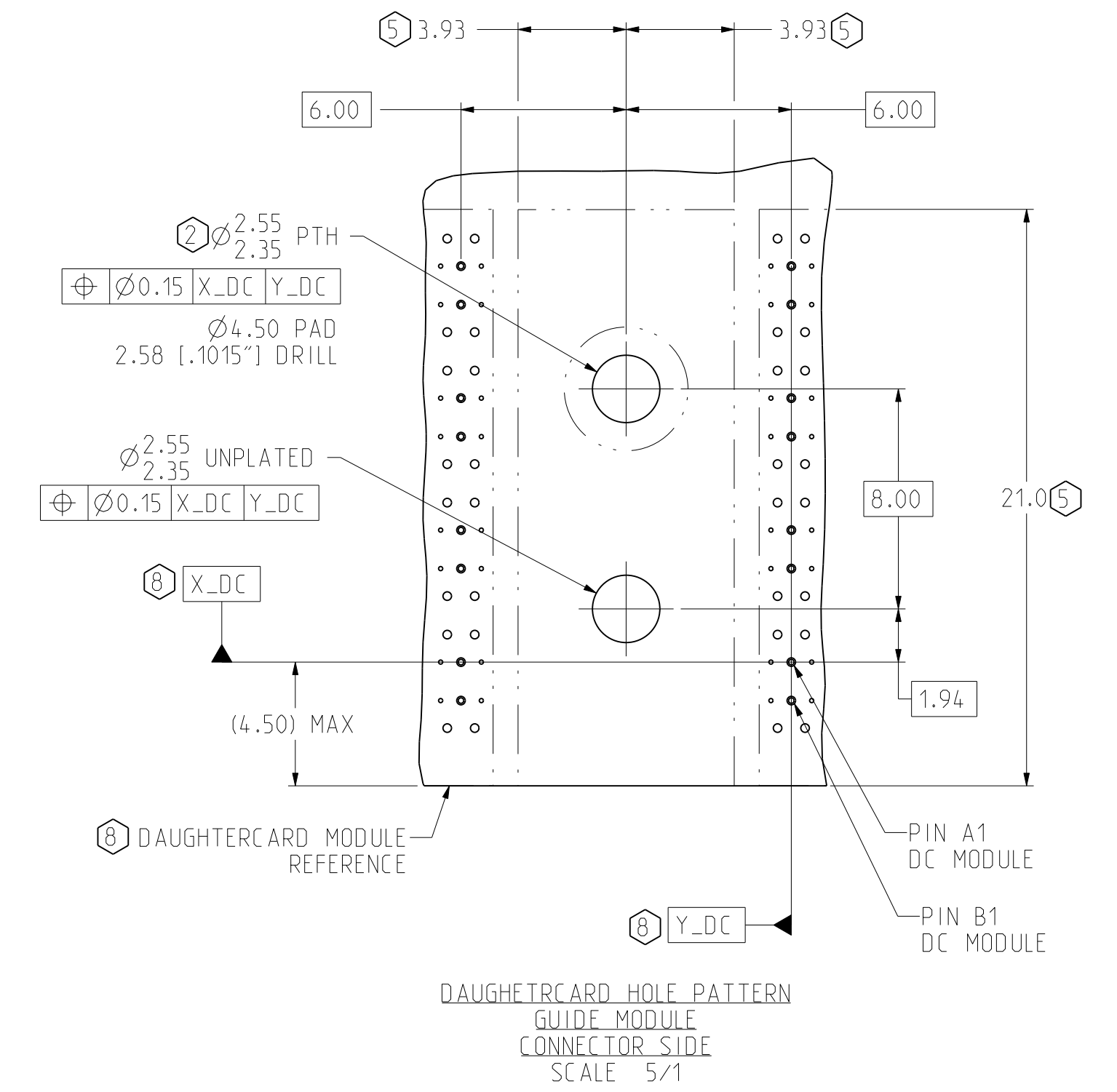
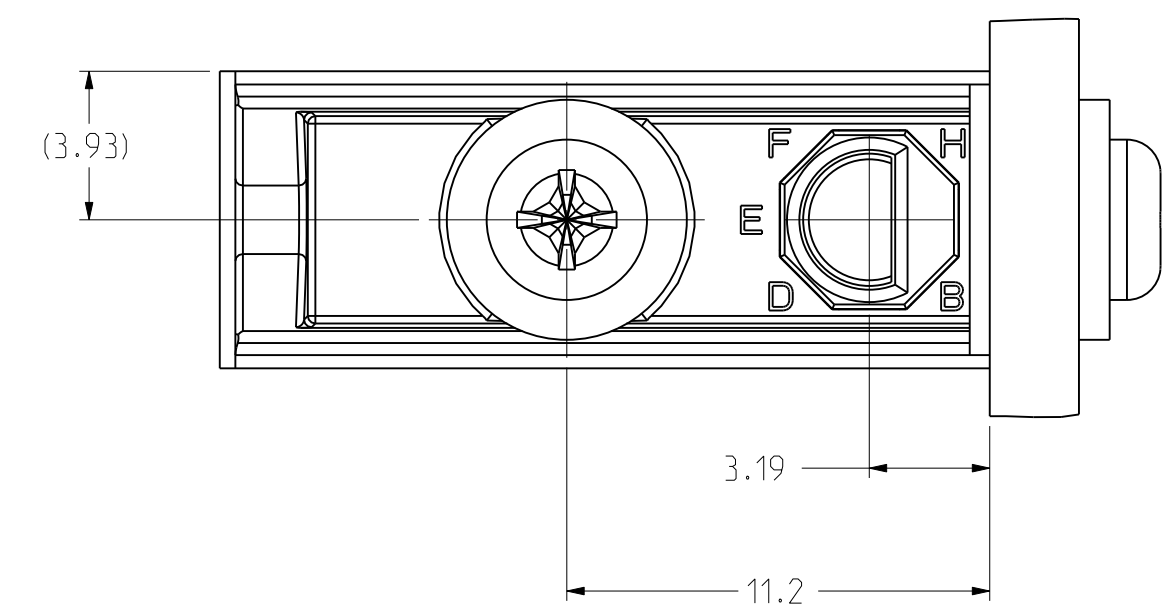
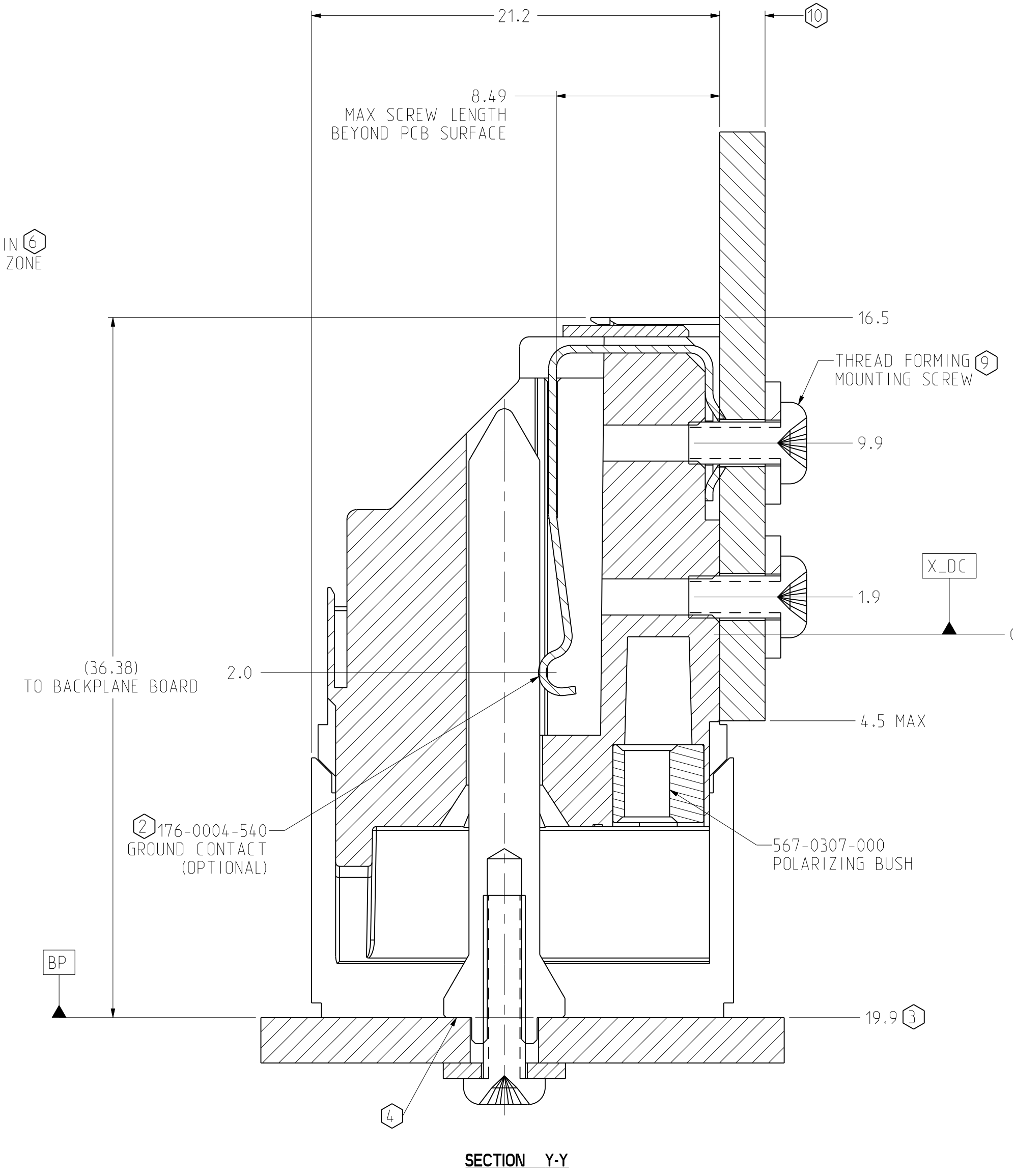
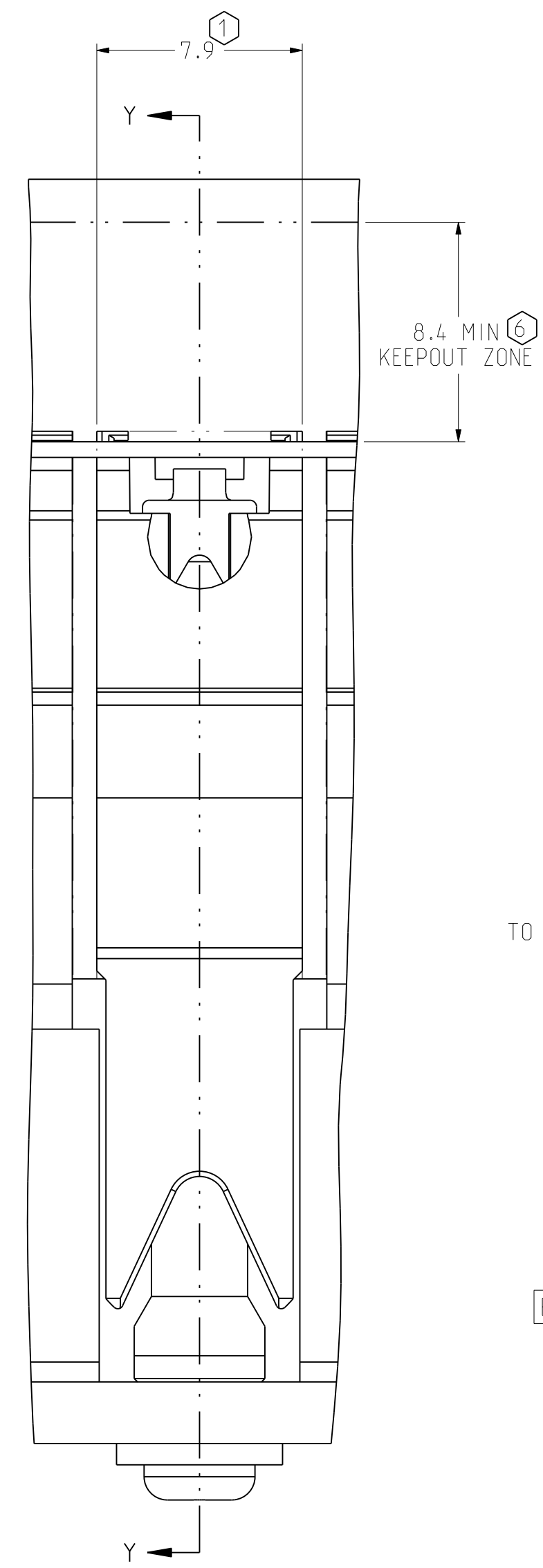


RAF GUIDE MODULE WITH POST

- NOTES:
- 1 USE 7.9 NOMINAL FOR DAUGHTERCARD LAYOUT.
 - 2 PLATED THROUGH HOLE TO CONNECT TO CHASSIS FOR FIRST MATE GROUND OPTION THROUGH GUIDE PIN. SEE TB2322 FOR ROUTING GUIDELINES. USE UNPLATED THROUGH HOLE FOR UNGROUNDED MODULE.
 - 3 NOMINAL DIMENSION FOR FULLY SEATED CONNECTOR.
 - 4 FOR MATING GUIDE PIN DETAIL AND LOCATION. SEE: DRAWING C564-0469-500 FOR STANDALONE GUIDE PIN OR DRAWING C131-40XX-500 FOR MODULE MOUNTED GUIDE PIN. DRAWING C133-4000-500 FOR DO MOUNTED GUIDE PIN.
 - 5 NO SURFACE TRACES IN KEEPOUT ZONE.
 - 6 FOR CONNECTOR REPAIRABILITY, USE KEEP OUT ZONE.
 - 7. SEE TB-XXXX FOR BOARD WEIGHT LIMITATIONS.
 - 8 REFER TO C130-4X00-500 FOR SIGNAL CONNECTOR DETAIL.
 - 9 SCREW LENGTH AND PART NUMBER ARE DEPENDENT ON DAUGHTERCARD THICKNESS (AS SPECIFIED FROM CONFIGURATOR).
 - 10 REFER TO ROUTING GUIDELINES FOR MIN PCB THICKNESS.

TOLERANCES	DESIGN	DATE	DESIGNER	Amphenol TCS	
0.0	±0.25	09/01/2015	M.RECEPUTO	A Division of Amphenol Corporation	
0.00	±0.13	09/01/2015	HCL-WS	200 Innovative Way, Nashua, NH 03082 603.879.3000	
0.000	± -	09/01/2015	J.DUNHAM	TITLE RAF GUIDE MODULE, 4 PAIR PALADIN	
ANGLES	± 3°	09/01/2015	J.DUNHAM	PART NO. SEE TABLE 1-2	
UNLESS OTHERWISE SPECIFIED DIMENSIONS ARE IN MM. DECIMAL MARKER IS A PERIOD				DRAWING NO. C-108-1411-500	
INTERPRET PER ASME Y14.5M				REV 2.0	
CODE IDENT 31413				PART Q1221-4PR-DC-GUIDE-PCB_W_POST 0.0	
CUSTOMER USE DRAWING				DRAWING Q1221-4PR-GUIDE-CU 0.5	
SIZE D				SCALE 1/1	
				SHEET 1 OF 2	

ZONE	REV	SCR NUMBER	DESCRIPTION	BY	DATE	APPROVED
			SEE SHEET 1			



RAF GUIDE MODULE WITHOUT POST

TOLERANCES		DESIGN 09/01/2015 M.RECEPUTO	Amphenol TCS A Division of Amphenol Corporation 200 Innovative Way, Nashua, NH 03082 603.879.3000	TITLE	RAF GUIDE MODULE, 4 PAIR PALADIN
0.0	±0.25	DRAWN 09/01/2015 HCL-W.S		PART NO.	SEE TABLE 1-2
0.00	±0.13	CHK 09/01/2015 J.DUNHAM		DRAWING NO.	C-108-1411-500
0.000	± -	APVD 09/01/2015 J.DUNHAM		PART Q1221-4PR-DC-GUIDE-PCB-WO_POST	0.0
ANGLES	± 3°			DRAWING Q1221-4PR-GUIDE-CU	0.5
UNLESS OTHERWISE SPECIFIED DIMENSIONS ARE IN MM. DECIMAL MARKER IS A PERIOD			PART NO.		REV
INTERPRET PER ASME Y14.5M			SEE TABLE 1-2		N/A
CODE IDENT 31413			C-108-1411-500		2.0
CUSTOMER USE DRAWING			PART Q1221-4PR-DC-GUIDE-PCB-WO_POST		0.0
			DRAWING Q1221-4PR-GUIDE-CU		0.5
			SIZE D	SCALE 1/1	SHEET 2 OF 2