

ZONE	REV	SCR NUMBER	DESCRIPTION	BY	DATE	APPROVED
ALL	1.0	SYOH-AGNTDQ.VER01	NEW RELEASE	HCL-SD	12/20/2016	S.YOEUETH

TABLE 1 - RAF GUIDE MODULE, 5 PAIR, W/ POST

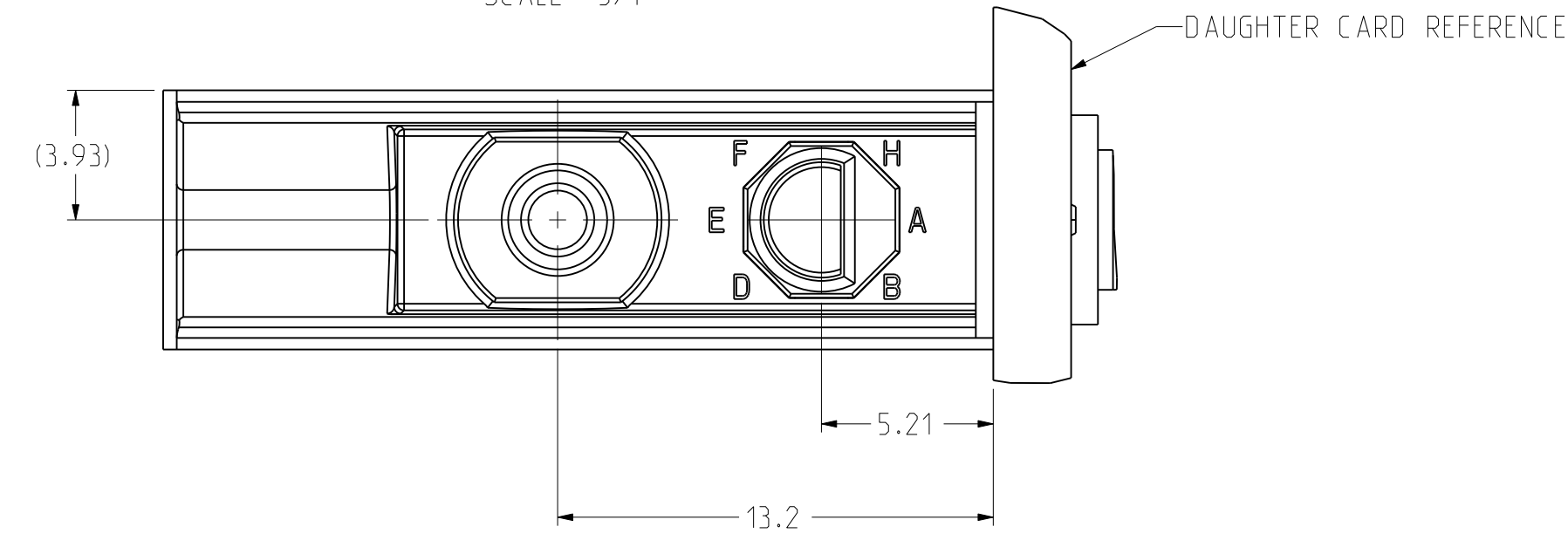
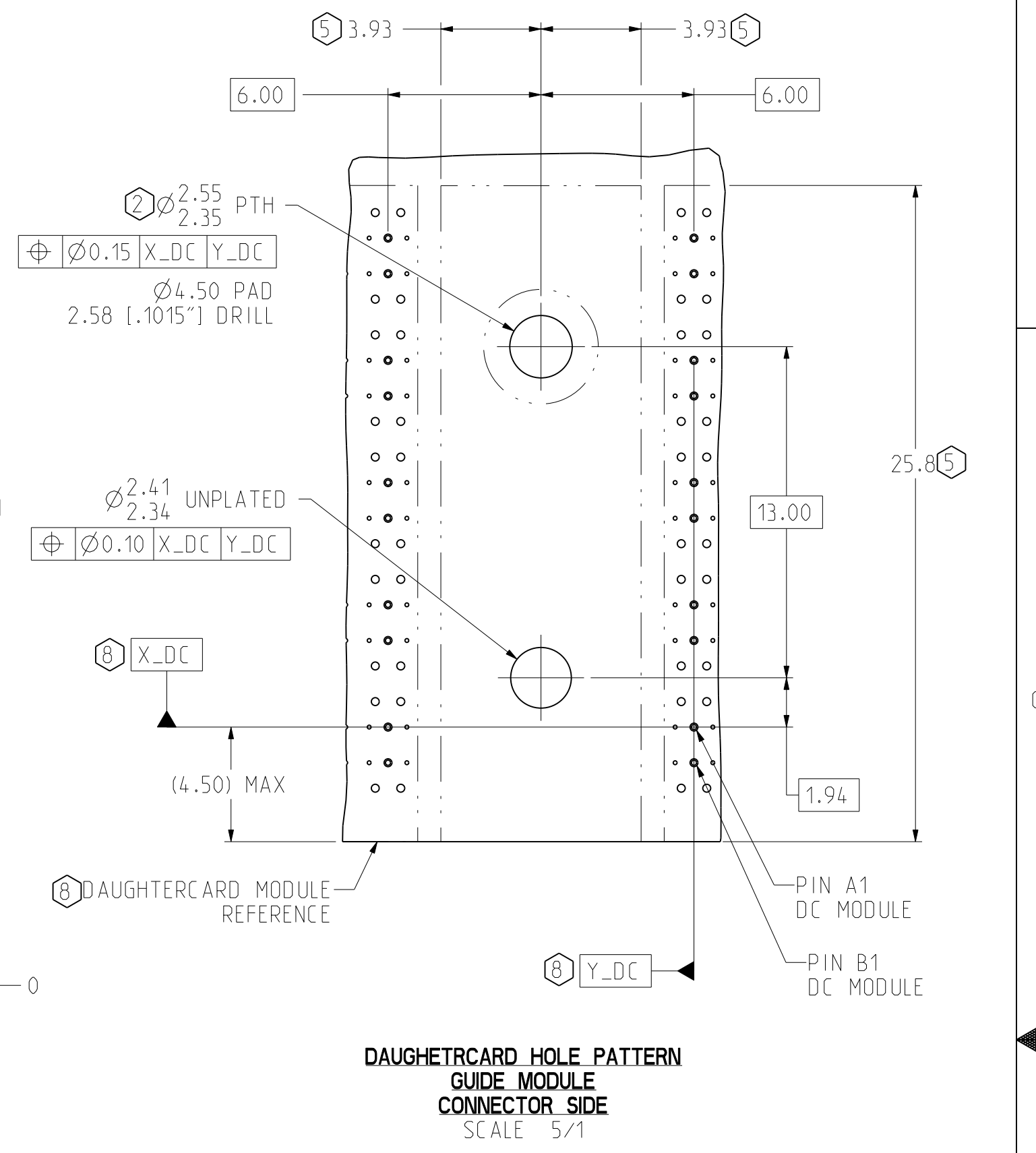
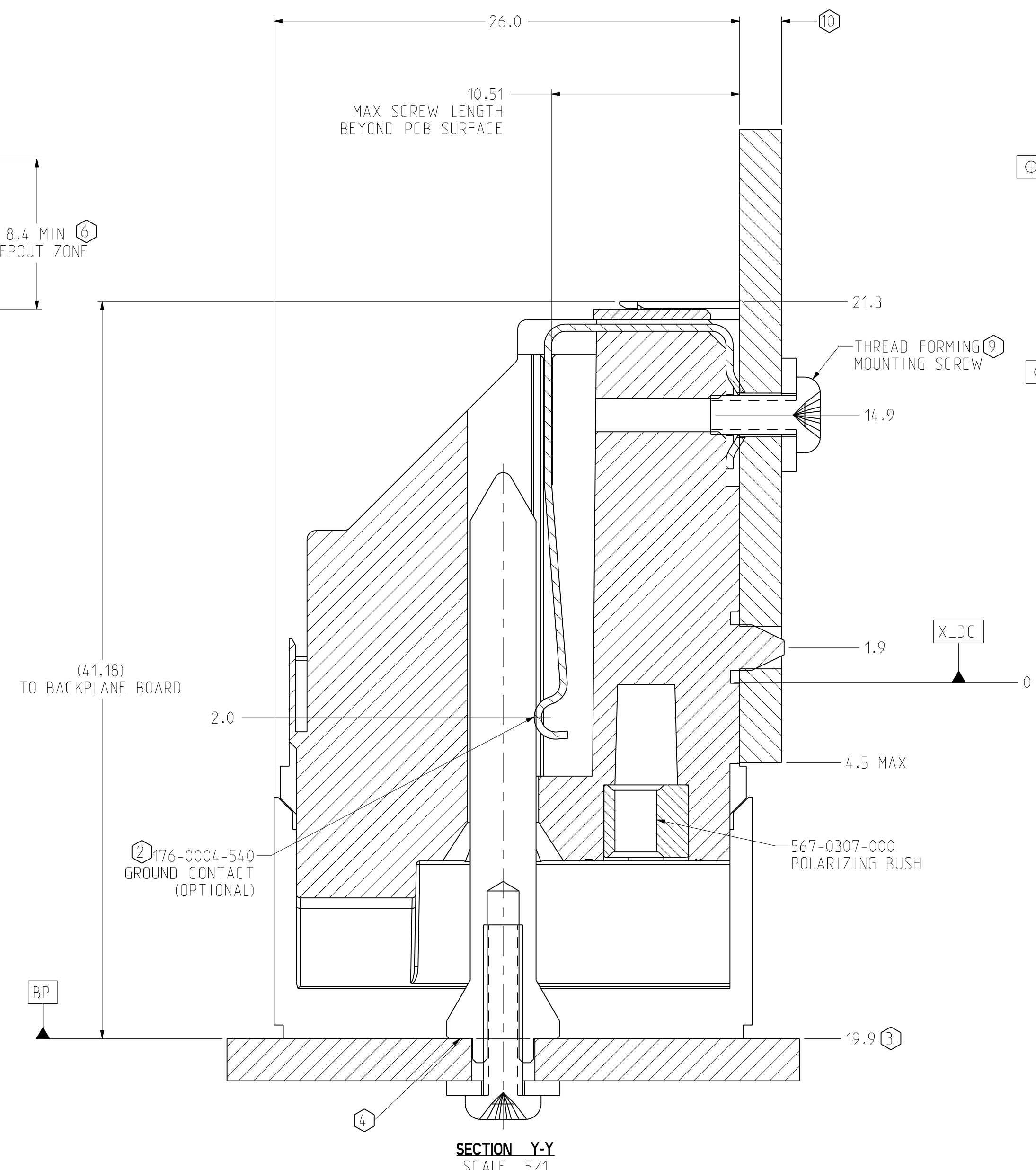
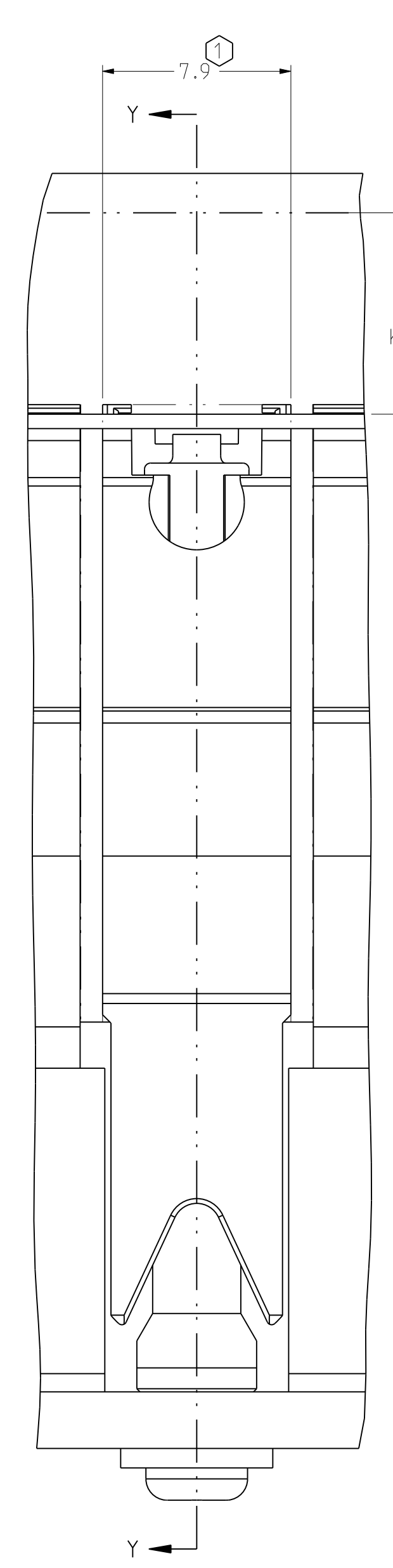
PART NUMBER	GROUND CONTACT	KEY POSITION
108-1511-1A1	YES	A
108-1511-1B1	YES	B
108-1511-1C1	YES	C
108-1511-1D1	YES	D
108-1511-1E1	YES	E
108-1511-1F1	YES	F
108-1511-1G1	YES	G
108-1511-1H1	YES	H
108-1511-101	YES	NO KEY
108-1511-1A0	NO	A
108-1511-1B0	NO	B
108-1511-1C0	NO	C
108-1511-1D0	NO	D
108-1511-1E0	NO	E
108-1511-1F0	NO	F
108-1511-1G0	NO	G
108-1511-1H0	NO	H
108-1511-100	NO	NO KEY

TABLE 2 - RAF GUIDE MODULE, 5 PAIR W/O POST

PART NUMBER	GROUND CONTACT	KEY POSITION
108-1511-2A1	YES	A
108-1511-2B1	YES	B
108-1511-2C1	YES	C
108-1511-2D1	YES	D
108-1511-2E1	YES	E
108-1511-2F1	YES	F
108-1511-2G1	YES	G
108-1511-2H1	YES	H
108-1511-201	YES	NO KEY
108-1511-2A0	NO	A
108-1511-2B0	NO	B
108-1511-2C0	NO	C
108-1511-2D0	NO	D
108-1511-2E0	NO	E
108-1511-2F0	NO	F
108-1511-2G0	NO	G
108-1511-2H0	NO	H
108-1511-200	NO	NO KEY

TABLE 3

POSITION	X° ±3°	ORIENTATION
A	90	
B	45	
C	0	
D	45	
E	90	
F	45	
G	0	
H	45	
NO KEY	N/A	



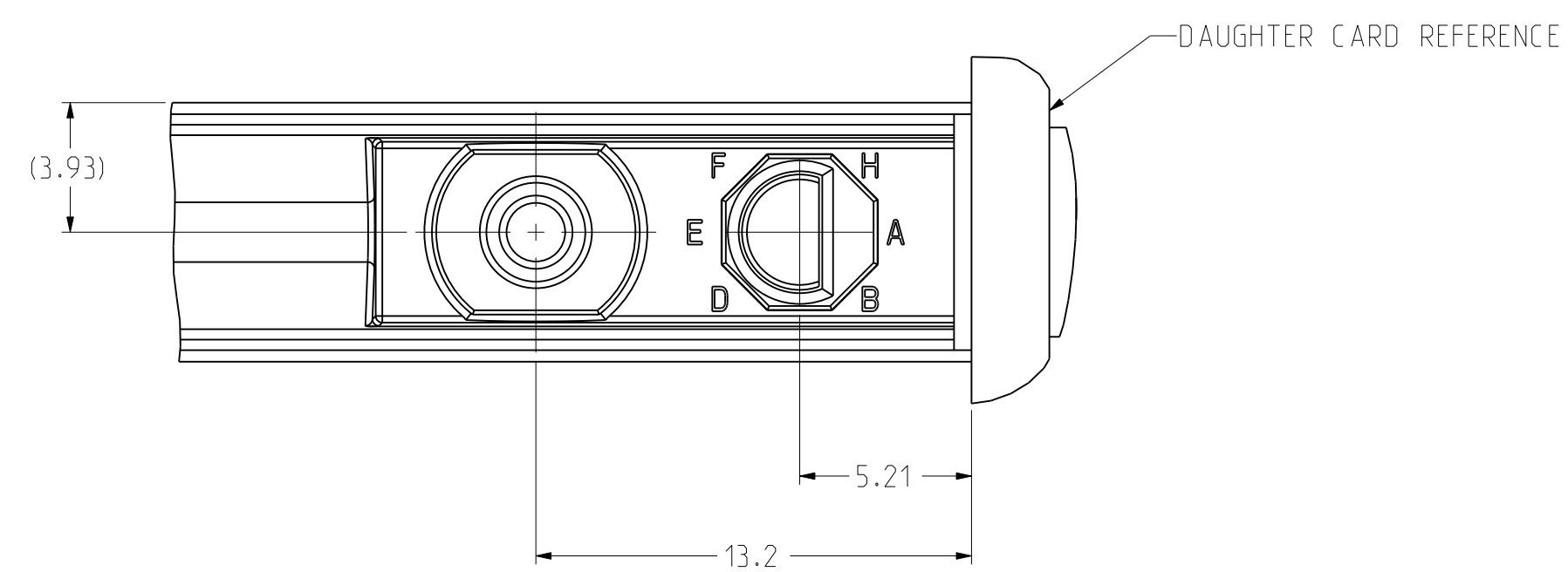
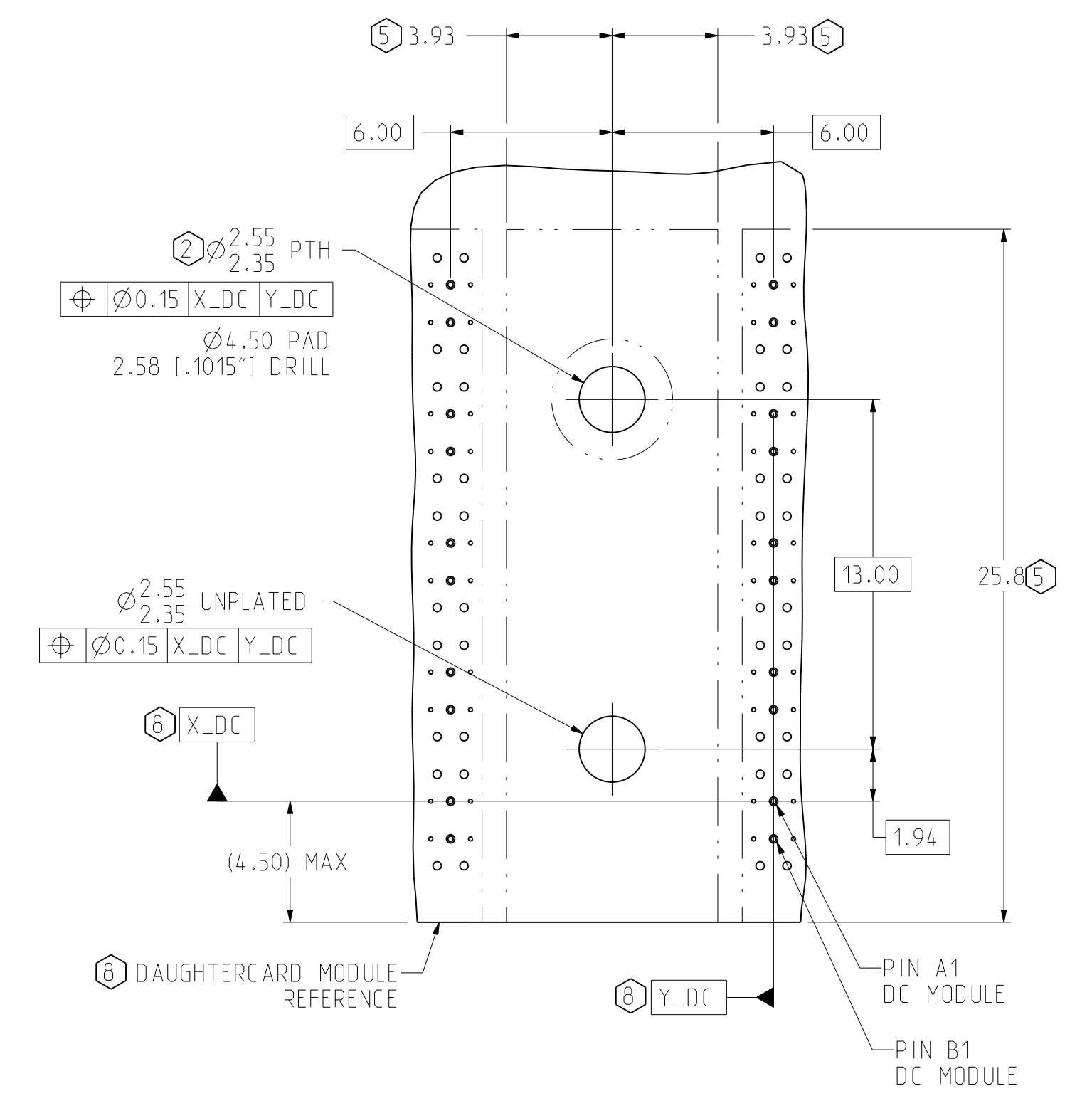
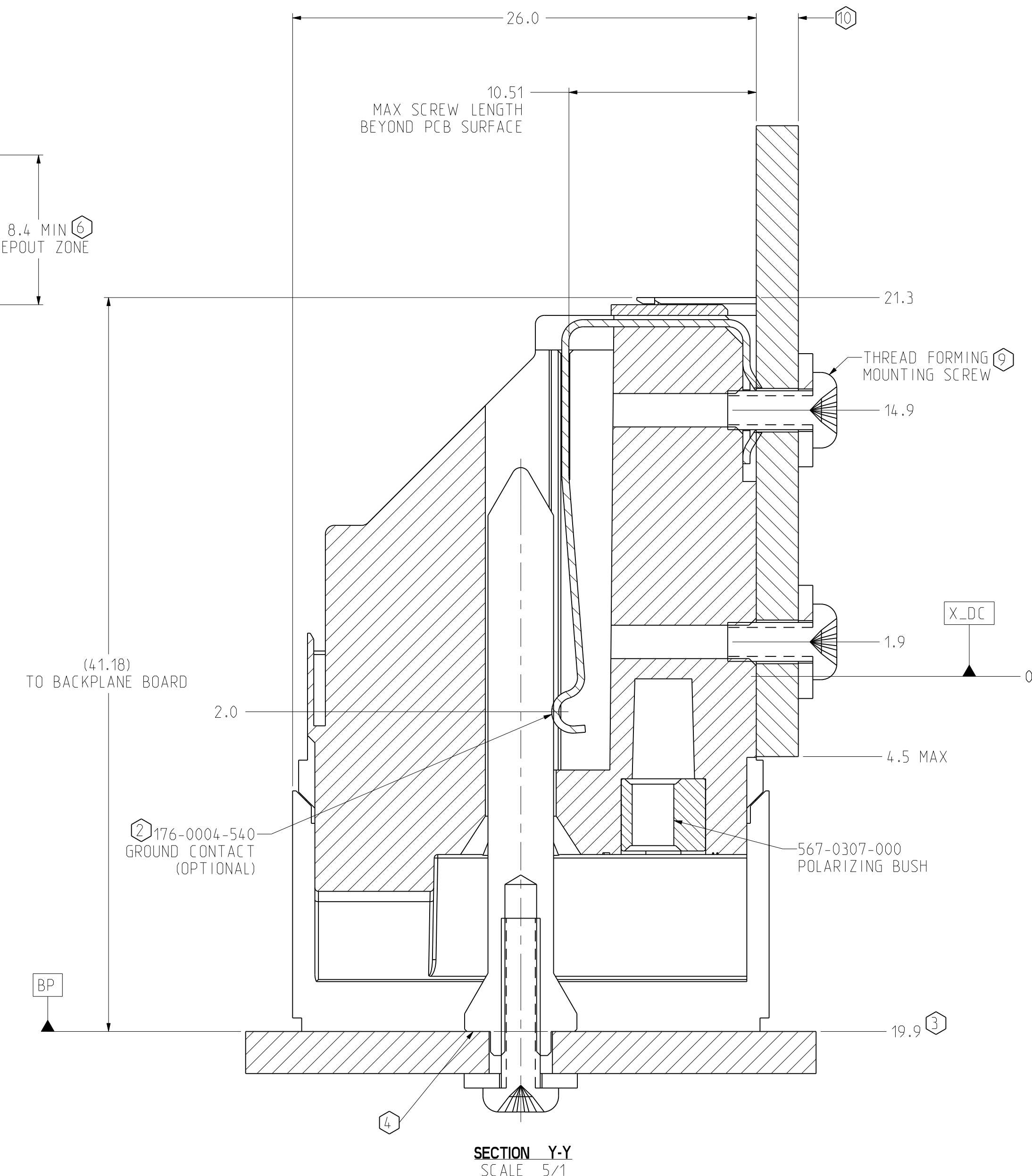
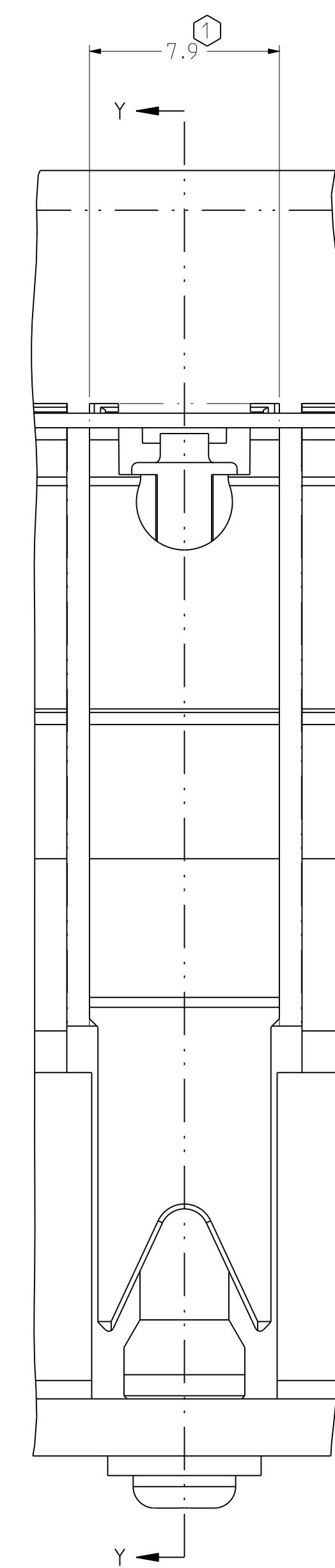
- NOTES:
- USE 7.9 NOMINAL FOR DAUGHTERCARD LAYOUT.
 - PLATED THROUGH HOLE TO CONNECT TO CHASSIS FOR FIRST MATE GROUND OPTION THROUGH GUIDE PIN. SEE TB2322 FOR ROUTING GUIDELINES. USE UNPLATED THROUGH HOLE FOR UNGROUNDED MODULE.
 - NOMINAL DIMENSION FOR FULLY SEATED CONNECTOR.
 - FOR MATING GUIDE PIN DETAIL AND LOCATION, SEE: DRAWING C564-0469-500 FOR STANDALONE GUIDE PIN OR DRAWING C131-50XX-500 FOR MODULE MOUNTED GUIDE PIN. DRAWING C133-5000-500 FOR DO MOUNTED GUIDE PIN.
 - NO SURFACE TRACES IN KEEP-OUT ZONE.
 - FOR CONNECTOR REPAIRABILITY, USE KEEP OUT ZONE.
 - SEE TB-XXXX FOR BOARD WEIGHT LIMITATIONS.
 - REFER TO C130-5X00-500 FOR SIGNAL CONNECTOR DETAIL.
 - SCREW LENGTH AND PART NUMBER ARE DEPENDENT ON DAUGHTERCARD THICKNESS (AS SPECIFIED FROM CONFIGURATOR).
 - REFER TO ROUTING GUIDELINES FOR MIN PCB THICKNESS.

RAF GUIDE MODULE WITH POST

<p>INTERPRET PER ASME Y14.5M CODE IDENT 314.13</p>	<p>UNLESS OTHERWISE SPECIFIED DIMENSIONS ARE IN MM. DECIMAL MARKER IS A PERIOD.</p>	<p>Amphenol TCS A Division of Amphenol Corporation 200 Innovative Way, Nashua, NH 03082 603.879.3000</p>
	<p>CUSTOMER USE DRAWING</p>	<p>REV 1.0</p>

TOLERANCES	DESIGN	DATE	DESIGNER	TITLE	PART NO.	REV
0.0 ±0.25	12/07/2016	12/07/2016	M.RECEPUTO	RAF GUIDE MODULE, 5 PAIR PALADIN	SEE TABLE 1-2	N/A
0.00 ±0.13	12/07/2016	12/07/2016	HCL-ST			1.0
0.000 ± -	12/07/2016	12/07/2016	J.DUNHAM			
ANGLES ± 3°	12/07/2016	12/07/2016	J.DUNHAM			
DRAWING NO. C-108-1511-500				PART NO. SEE TABLE 1-2		REV 1.0
PART Q1221-5PR-DC-GUIDE-PCB_W_POST				PART Q1221-5PR-DC-GUIDE-PCB_W_POST		0.0
DRAWING Q1221-5PR-GUIDE-CU				DRAWING Q1221-5PR-GUIDE-CU		0.4
SIZE D	SCALE 1/1	SHEET 1 OF 2				

ZONE	REV	SCR NUMBER	DESCRIPTION	BY	DATE	APPROVED
			SEE SHEET 1			



RAF GUIDE MODULE WITHOUT POST

TOLERANCES		DESIGN 12/07/2016 M.RECEPUTO	Amphenol TCS A Division of Amphenol Corporation 200 Innovative Way, Nashua, NH 03082 603.879.3000	TITLE	RAF GUIDE MODULE, 5 PAIR PALADIN
0.0	±0.25	DRAWN 12/07/2016 HCL-ST		PART NO.	SEE TABLE 1-2
0.00	±0.13	CHK 12/07/2016 J.DUNHAM		DRAWING NO.	C-108-1511-500
0.000	± -	APVD 12/07/2016 J.DUNHAM		PART Q1221-SPR-DC-GUIDE-PCB-WO-POST	0.0
ANGLES	± 3°	UNLESS OTHERWISE SPECIFIED DIMENSIONS ARE IN MM. DECIMAL MARKER IS A PERIOD		DRAWING Q1221-SPR-GUIDE-CU	0.4
INTERPRET PER ASME Y14.5M CODE IDENT 314.13			CUSTOMER USE DRAWING		SIZE D SCALE 1/1 SHEET 2 OF 2