

ZONE	REV	SCR NUMBER	DESCRIPTION	BY	DATE	APPROVED
ALL	1.0	SYOH-AHGNJD.VER01	NEW RELEASE	HCL-SD	01/11/2017	S.YOEUTH

TABLE 1 - RAF GUIDE MODULE, 7 PAIR, W/ POST

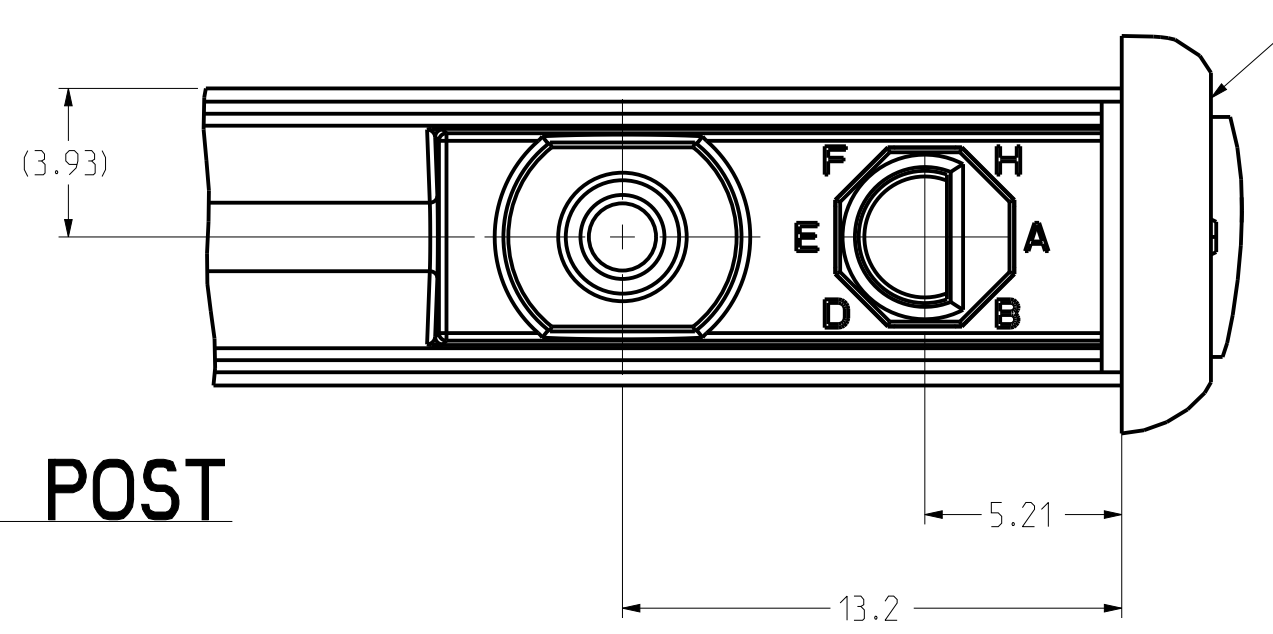
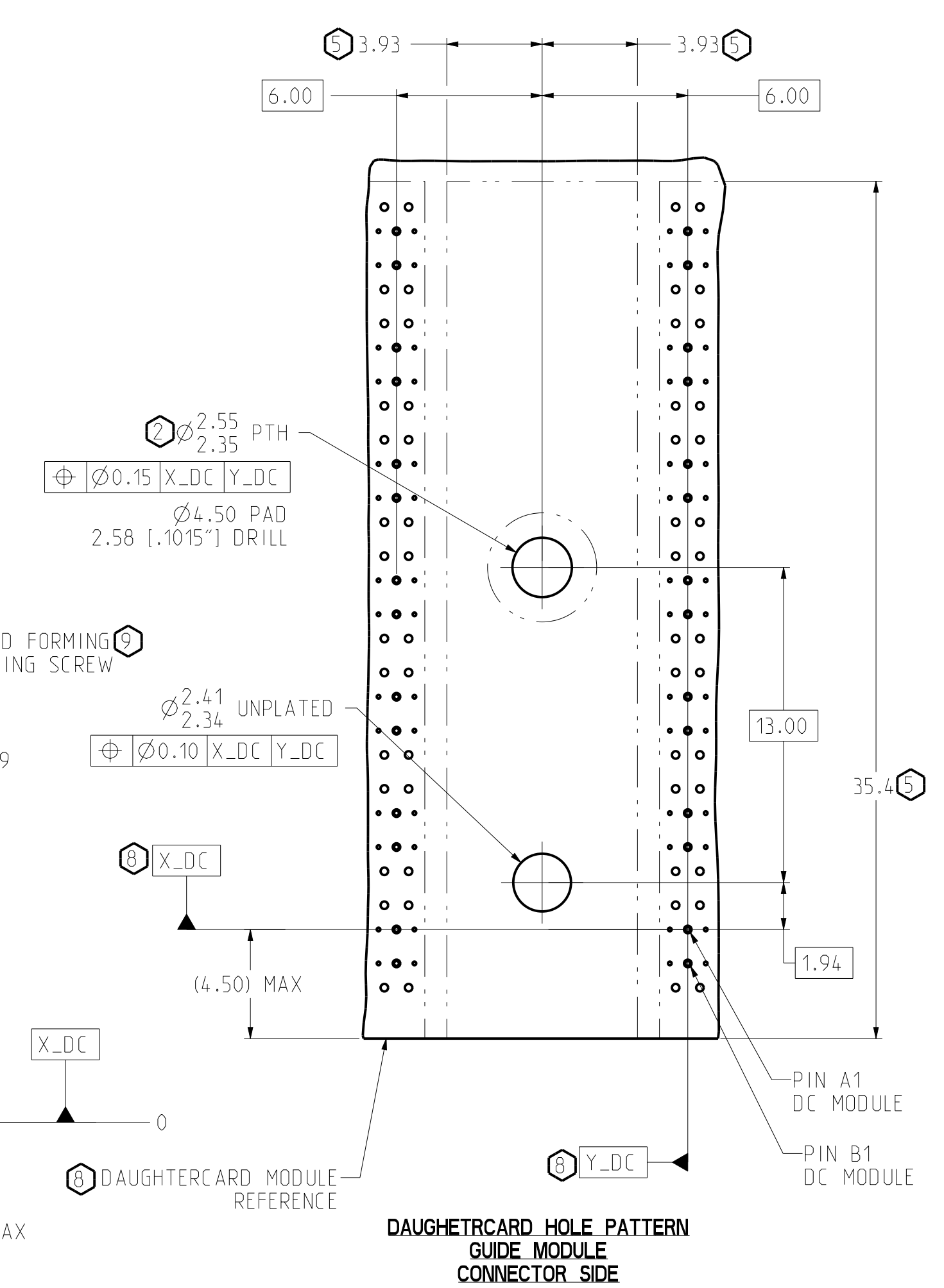
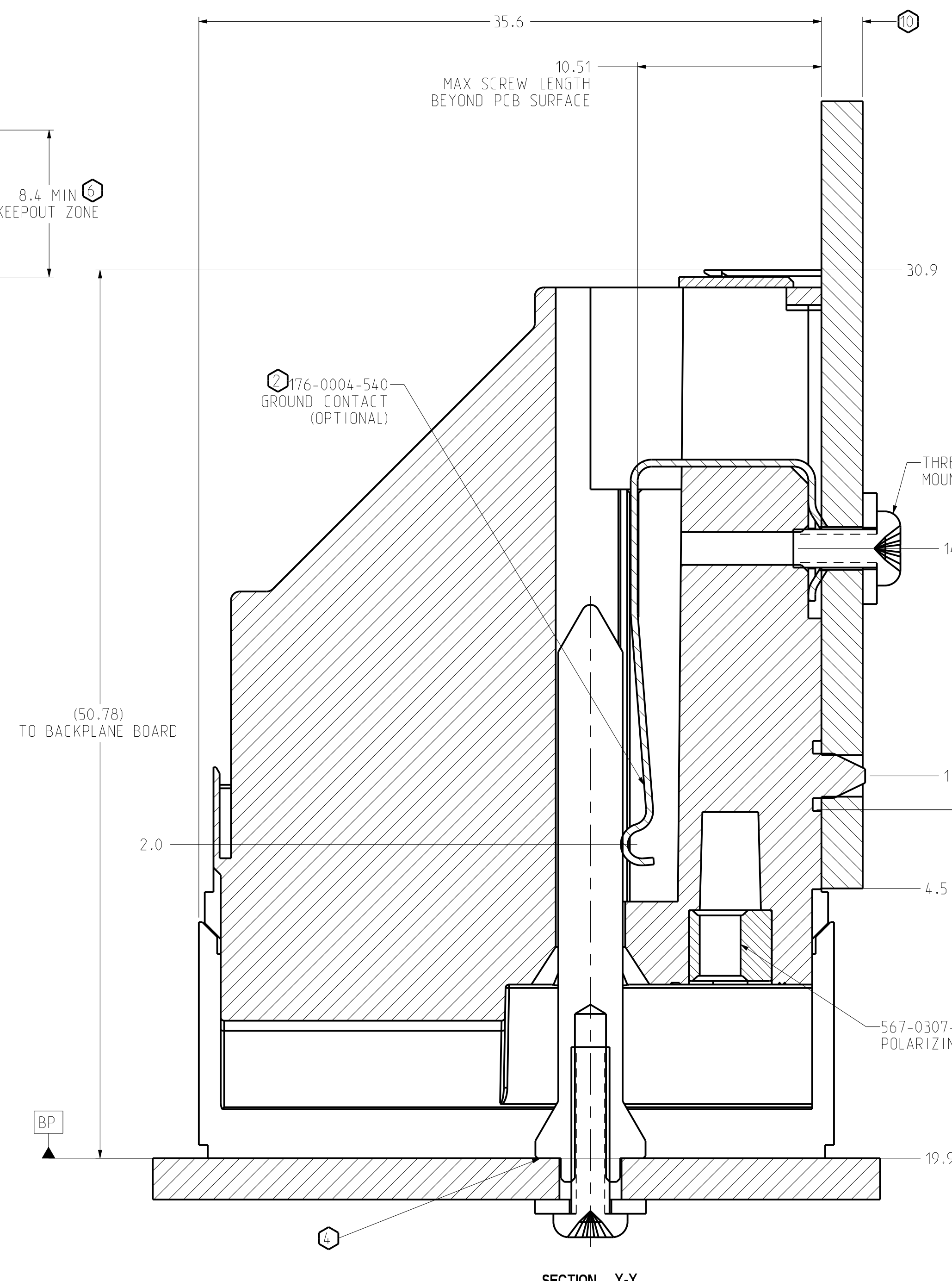
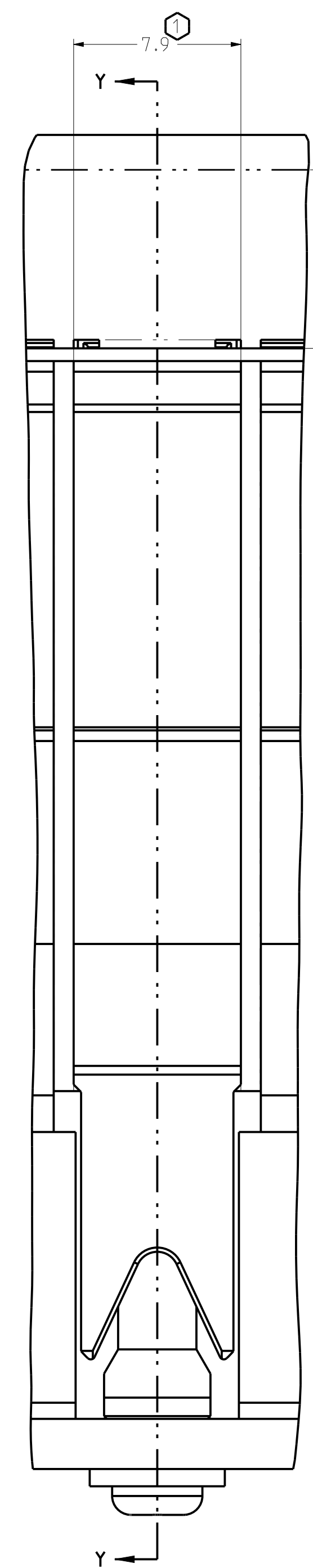
PART NUMBER	GROUND CONTACT	KEY POSITION
108-1711-1A1	YES	A
108-1711-1B1	YES	B
108-1711-1C1	YES	C
108-1711-1D1	YES	D
108-1711-1E1	YES	E
108-1711-1F1	YES	F
108-1711-1G1	YES	G
108-1711-1H1	YES	H
108-1711-101	YES	NO KEY
108-1711-1A0	NO	A
108-1711-1B0	NO	B
108-1711-1C0	NO	C
108-1711-1D0	NO	D
108-1711-1E0	NO	E
108-1711-1F0	NO	F
108-1711-1G0	NO	G
108-1711-1H0	NO	H
108-1711-100	NO	NO KEY

TABLE 2 - RAF GUIDE MODULE, 7 PAIR W/O POST

PART NUMBER	GROUND CONTACT	KEY POSITION
108-1711-2A1	YES	A
108-1711-2B1	YES	B
108-1711-2C1	YES	C
108-1711-2D1	YES	D
108-1711-2E1	YES	E
108-1711-2F1	YES	F
108-1711-2G1	YES	G
108-1711-2H1	YES	H
108-1711-201	YES	NO KEY
108-1711-2A0	NO	A
108-1711-2B0	NO	B
108-1711-2C0	NO	C
108-1711-2D0	NO	D
108-1711-2E0	NO	E
108-1711-2F0	NO	F
108-1711-2G0	NO	G
108-1711-2H0	NO	H
108-1711-200	NO	NO KEY

TABLE 3

POSITION	X° ±3°	ORIENTATION
A	90	
B	45	
C	0	
D	45	
E	90	
F	45	
G	0	
H	45	
NO KEY	N/A	



RAF GUIDE MODULE WITH POST

- NOTES:
- USE 7.9 NOMINAL FOR DAUGHTERCARD LAYOUT.
 - PLATED THROUGH HOLE TO CONNECT TO CHASSIS FOR FIRST MATE GROUND OPTION THROUGH GUIDE PIN. SEE TB2322 FOR ROUTING GUIDELINES. USE UNPLATED THROUGH HOLE FOR UNGROUNDED MODULE.
 - NOMINAL DIMENSION FOR FULLY SEATED CONNECTOR.
 - FOR MATING GUIDE PIN DETAIL AND LOCATION, SEE: DRAWING C564-0469-500 FOR STANDALONE GUIDE PIN OR DRAWING C131-70XX-500 FOR MODULE MOUNTED GUIDE PIN. DRAWING C133-7000-500 FOR DO MOUNTED GUIDE PIN.
 - NO SURFACE TRACES IN KEEP-OUT ZONE.
 - FOR CONNECTOR REPAIRABILITY, USE KEEP OUT ZONE.
 - SEE TB-XXXX FOR BOARD WEIGHT LIMITATIONS.
 - REFER TO C130-7X00-500 FOR SIGNAL CONNECTOR DETAIL.
 - SCREW LENGTH AND PART NUMBER ARE DEPENDENT ON DAUGHTERCARD THICKNESS (AS SPECIFIED FROM CONFIGURATOR).
 - REFER TO ROUTING GUIDELINES FOR MIN PCB THICKNESS.

TOLERANCES		DESIGN 12/13/2016 M.RECEPUTO	Amphenol TCS A Division of Amphenol Corporation 200 Innovative Way, Nashua, NH 03082 603.879.3000
0.0	±0.25	DRAWN 12/13/2016 HCL-ST	
0.00	±0.13	CHK 12/13/2016 J.DUNHAM	
0.000	± -	APVD 12/13/2016 J.DUNHAM	
ANGLES ± 3°		UNLESS OTHERWISE SPECIFIED DIMENSIONS ARE IN MM. DECIMAL MARKER IS A PERIOD	
PART NO.		SEE TABLE 1-2	REV N/A
DRAWING NO.		C-108-1711-500	REV 1.0
PART		Q1221-7PR-DC-GUIDE-PCB-W-POST	0.0
		DRAWING Q1221-7PR-GUIDE-CU	0.1
SIZE D		SCALE 5/1	SHEET 1 OF 2

INTERPRET PER ASME Y14.5M
CODE IDENT 31413

CUSTOMER USE
DRAWING

8

7

6

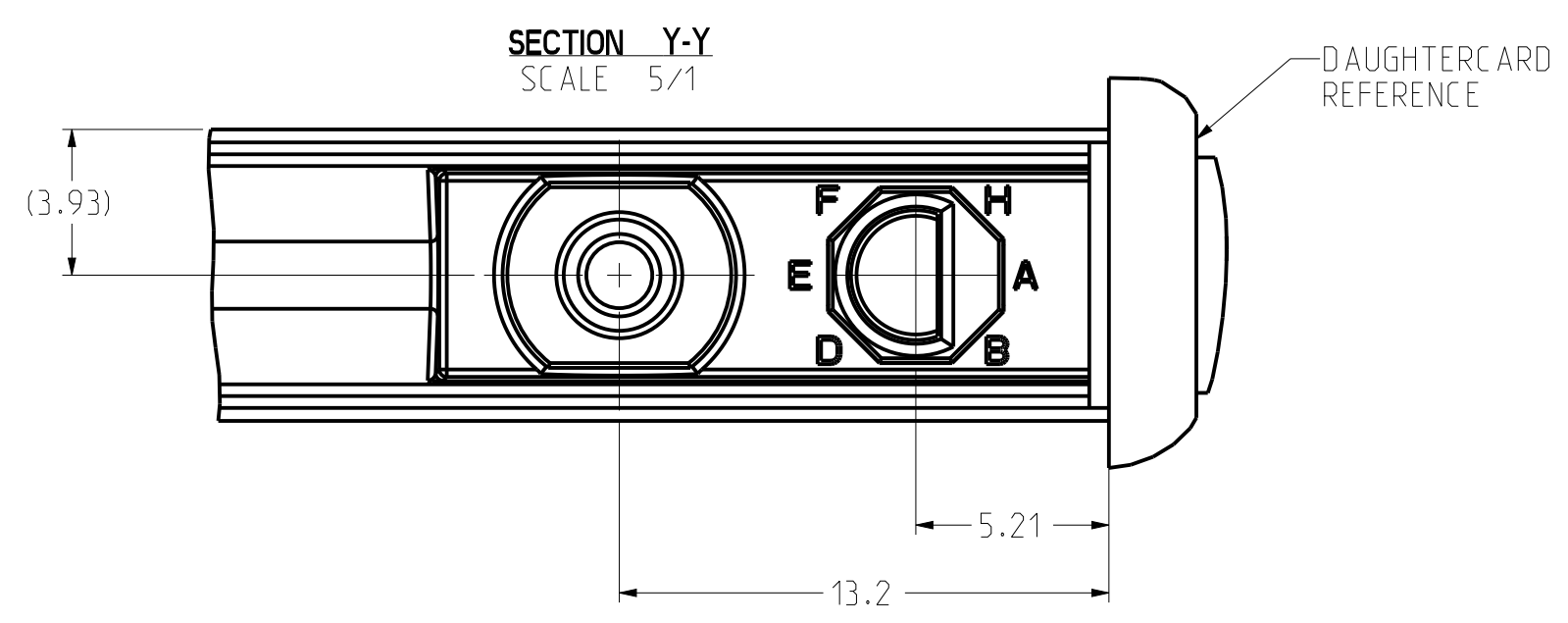
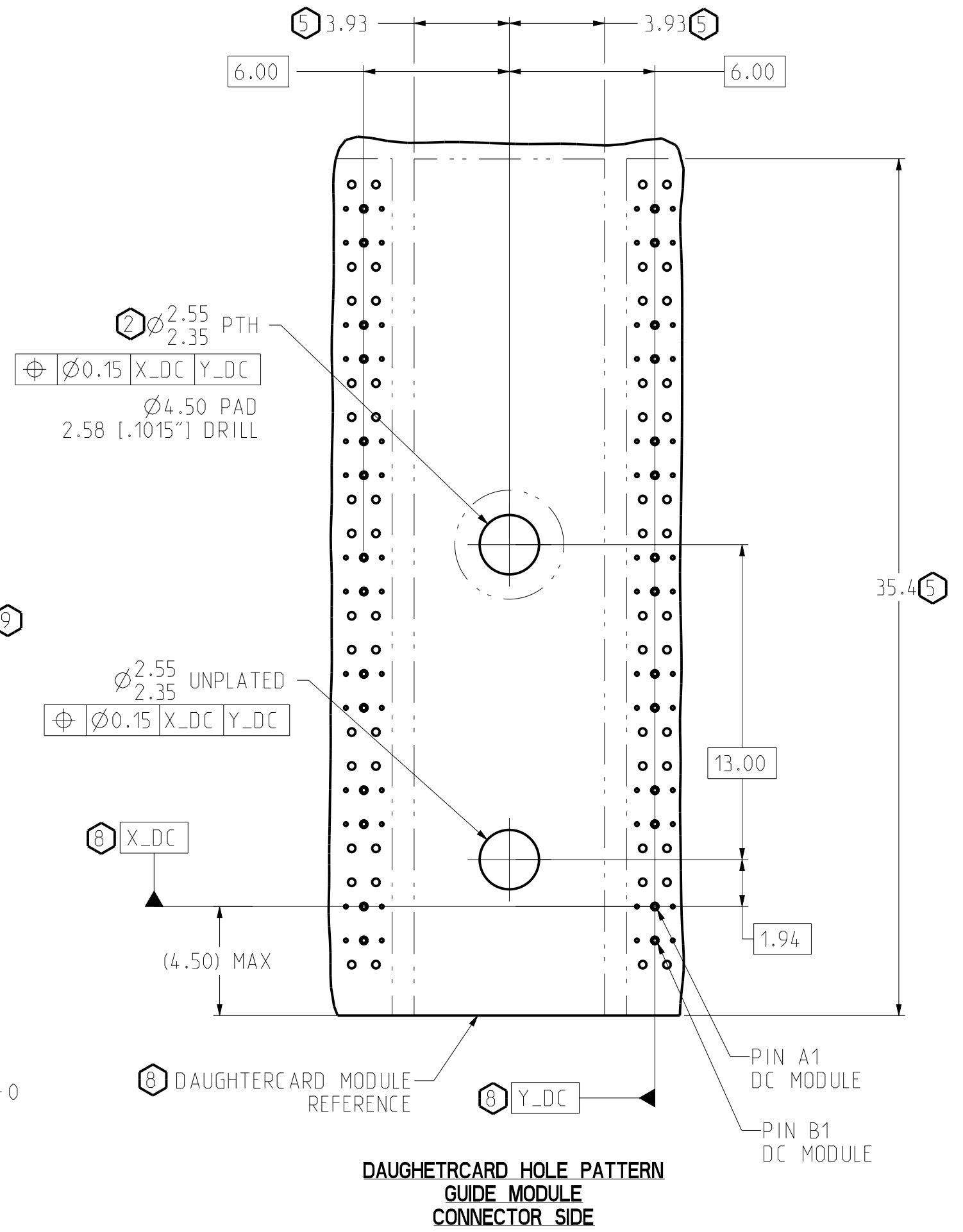
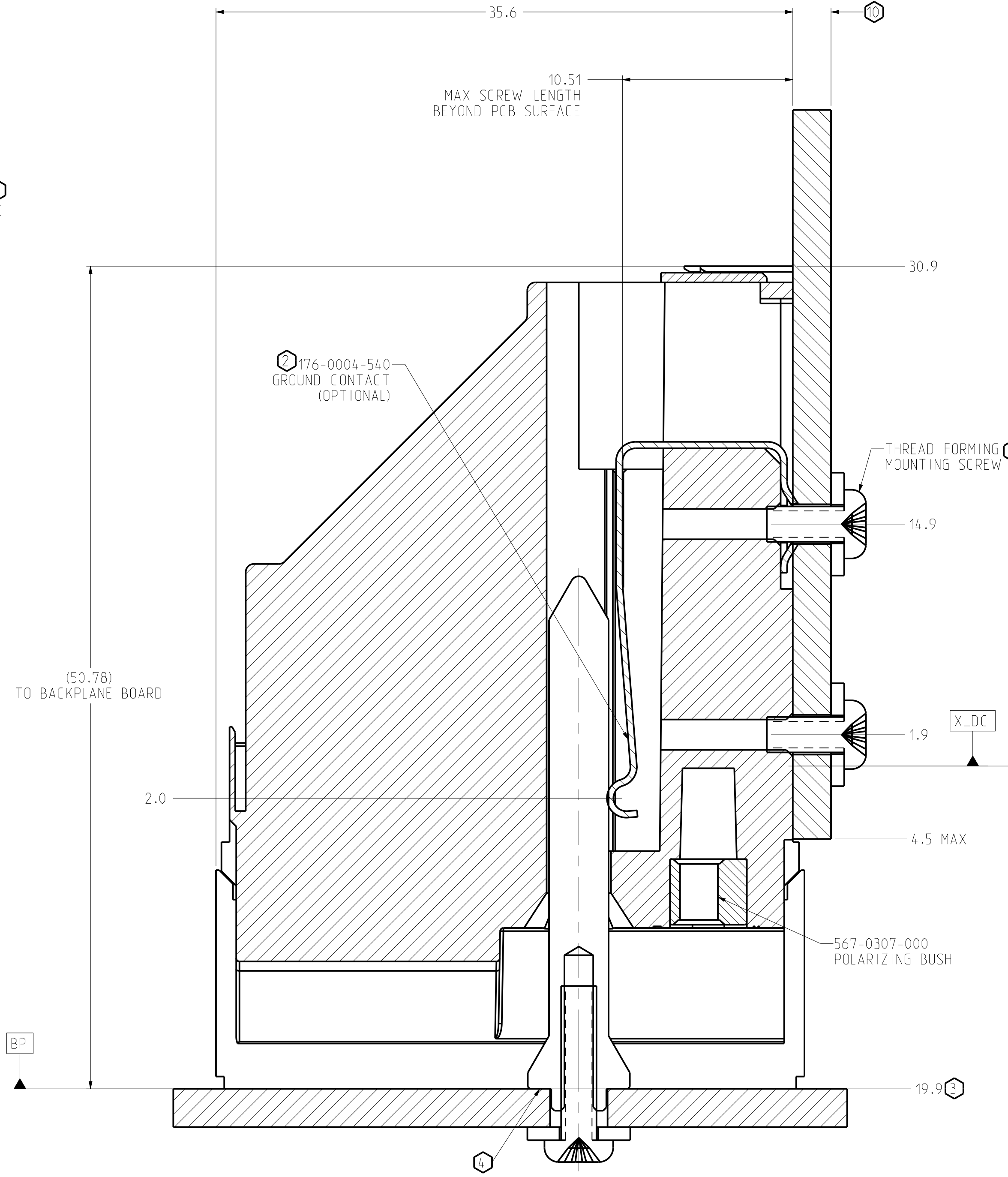
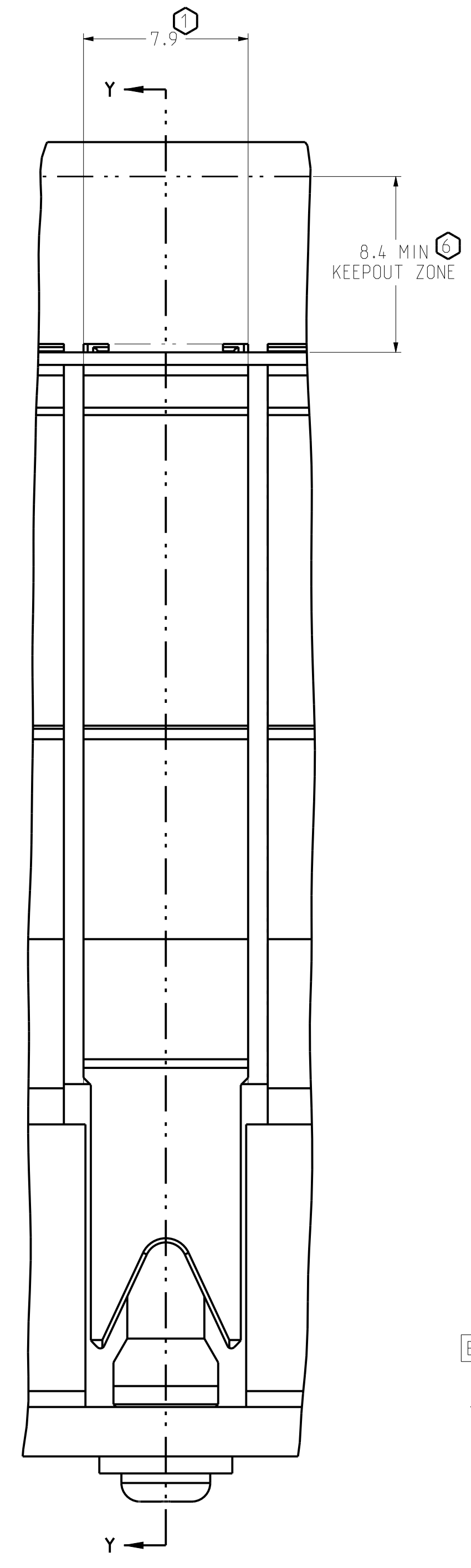
5

4

3

DRW NO. C-108-1711-500 SH 2 REV 1.0

ZONE	REV	SCR NUMBER	DESCRIPTION	BY	DATE	APPROVED
			SEE SHEET 1			



RAF GUIDE MODULE WITHOUT POST

TOLERANCES		DESIGN 12/13/2016 M.RECEPUTO	Amphenol TCS A Division of Amphenol Corporation 200 Innovative Way, Nashua, NH 03062 603.879.3000	REV N/A
0.0	±0.25	DRAWN 12/13/2016 HCL-ST		REV 1.0
0.00	±0.13	CHK 12/13/2016 J.DUNHAM		REV 1.0
0.000	± -	APVD 12/13/2016 J.DUNHAM		REV 1.0
ANGLES ± 3°		TITLE RAF GUIDE MODULE, 7 PAIR PALADIN		REV 1.0
UNLESS OTHERWISE SPECIFIED DIMENSIONS ARE IN MM. DECIMAL MARKER IS A PERIOD		PART NO. SEE TABLE 1-2		REV N/A
INTERPRET PER ASME Y14.5M		DRAWING NO. C-108-1711-500		REV 1.0
CODE IDENT 314.13		PART Q1221-7PR-DC-GUIDE-PCB_WO_POST		REV 0.0
		DRAWING Q1221-7PR-GUIDE-CU		REV 0.1
		SIZE D SCALE 5/1		SHEET 2 OF 2

CUSTOMER USE DRAWING

DRW NO. C-108-1711-500

SH 2 REV 1.0

8

7

6

5

4

3

2

1