

This document is the property of Amphenol Corporation and is delivered on the express condition that it is not to be disclosed, reproduced or used, in whole or in part, for manufacture or sale by anyone other than Amphenol Corporation without its prior consent, & that no right is granted to disclose or to use any information in this document.

# CUSTOMER DRAWING

## REVISIONS

SYM	ECN	DESCRIPTION	DATE	APPROVED
1	N/A	FIRST RELEASE	06/12/15	IP
2	N/A	更新卡点尺寸	06/15/15	IP
3	N/A	增加USB铁壳接地和HDMI线印字	08/26/15	IP
4	N/A	增加料号:CBA00HDMIW038	08/31/15	IP
5	N/A	增加D/C	11/02/15	IP

D

C

B

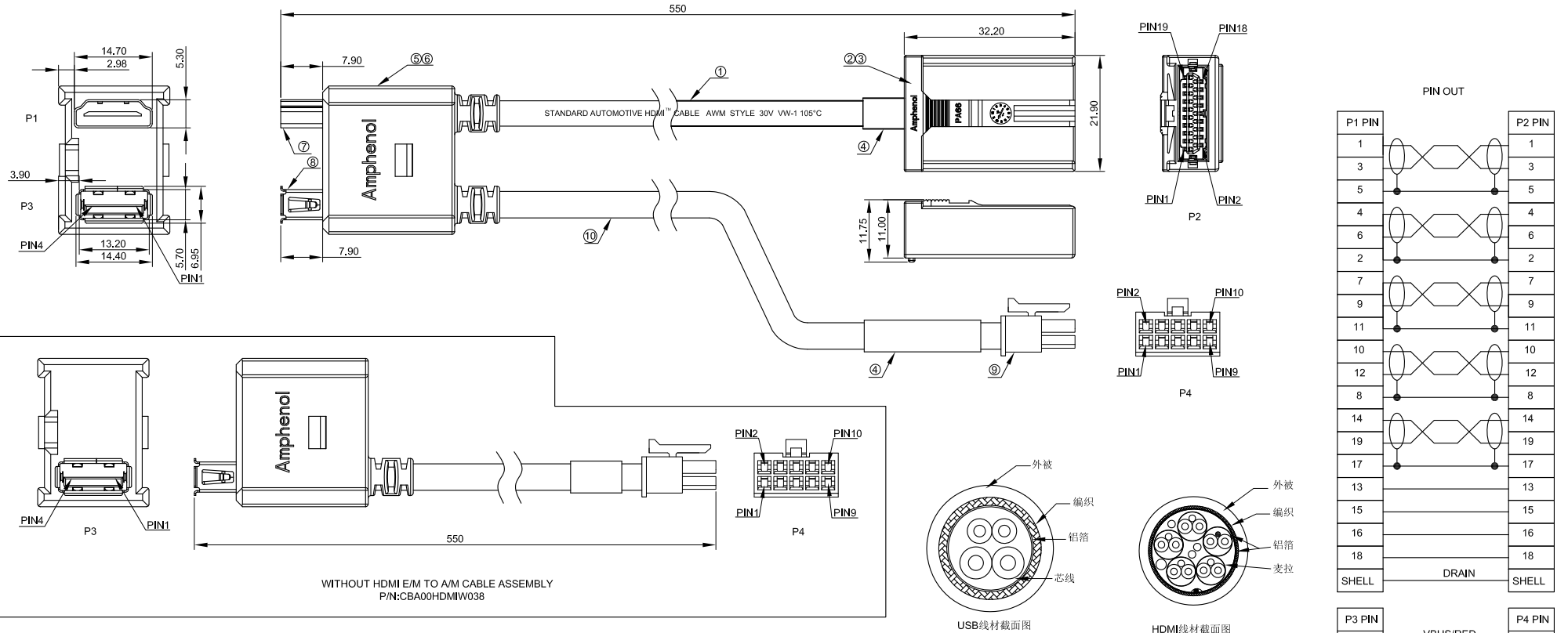
A

D

C

B

A



WITHOUT HDMI E/M TO A/M CABLE ASSEMBLY  
P/N:CBA00HDMIW038

- NOTES:  
 1. 100% OPEN AND SHORT TEST;  
 2. INSULATION RESISTANCE:DC 150V, 10Mohm Min.;  
 3. CONTACTOR RESISTANCE:3 ohm Max..  
 4. DATE CODE:YYMMDD  
 YY MEANS YEAR  
 MM MEANS MONTH  
 DD MEANS WORK DAY  
 EX. 150101 MEANS Jan. 1ST, 2015  
 FONT: COURIER NEW  
 FONT SIZE: 8

5. PART NUMBER:  
 CBA00HDMIW-XXX  
 TYPE OPTION:  
 028--WITH HDMI E/M TO A/M CABLE ASSEMBLY  
 038--WITHOUT HDMI E/M TO A/M CABLE ASSEMBLY

UNLESS OTHERWISE SPECIFIED TOLERANCES		APPROVAL		DATE	Amphenol Amphenol East Asia Limited	
		DRAWN	Harvey	11/02/15		
X. +/-	20	CHECKED				
.XX +/-	0.50	CHECKED				
FRACTIONS +/-		DRAWING FILE :		TITLE	CUSTOMER DRAWING FOR (HDMI A/F TO E/M)+(USB A/F TO MICRO FIT) CBALE ASSEMBLY	
ANGLES +/-		DRAWING FILE : DRAWING\HDMI\CBA00HDMIW028&038-5		SIZE		DRAWING NO.
REMOVE SHARP EDGES		ANGLE OF PROJECTION		SCALE	1:1	SHEET 1 OF 2
DIMENSIONS		U.S. INCHES		REV. 5		
U.S. INCHES		METRIC MM				

NO.	PART NAME	SPECIFICATION STANDARD
10	CABLE	26*1P+24*2C+AB16/10/0.08 OD:5.0 BLACK PVC
9	CONN.	MICRO FIT P1TH3.0
8	CONN.	USB2.0 A/M CONTACT AREA PLATED 3u" GOLD, SHELL PLATED NI
7	CONN.	HDMI A/M CONTACT AREA PLATED 15u" GOLD, SHELL PLATED NI
6	OUTER MOLD	P/BLACK
5	INNER MOLD	LDPE/NATURE
4	TUBE	HEAT SHRINKABLE TUBE BLACK
3	INNER MOLD	LDPE/NATURE
2	CONN.	HDMI E TYPE MALE CONTACT AREA PLATED 30u" GOLD, OUTER HSG BLACK
1	CABLE	HDMI [32AWG*1P+1C+AM-MY]*4P+[32AWG*1P+D+AM-MY]*1P+32AWG*3C+26AWG*1C+ADB 16/9/0.08TC D/7/0.08BC OD:5.0±0.2MM BLACK; COVERAGE:95% Min.; PRINTING ON HDMI CABLE: STANDARD AUTOMOTIVE HDMI™ CABLE AWM STYLE 30V VW-1 105°C

4

3

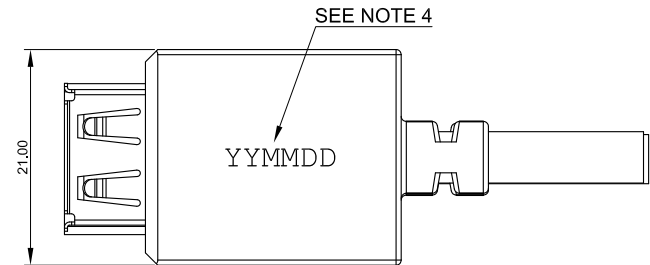
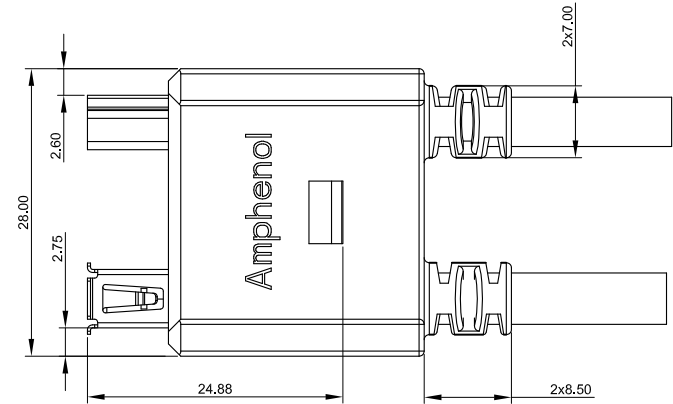
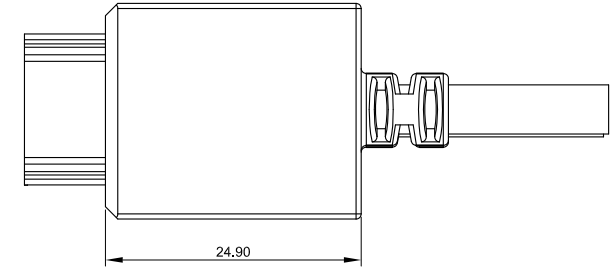
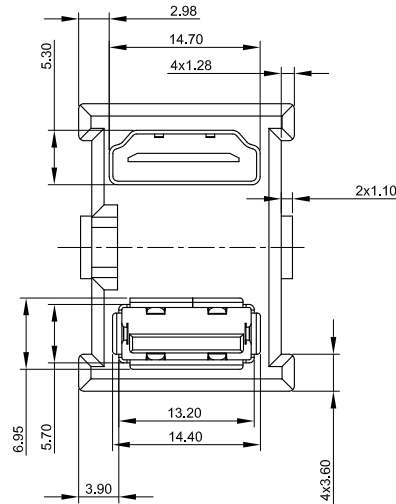
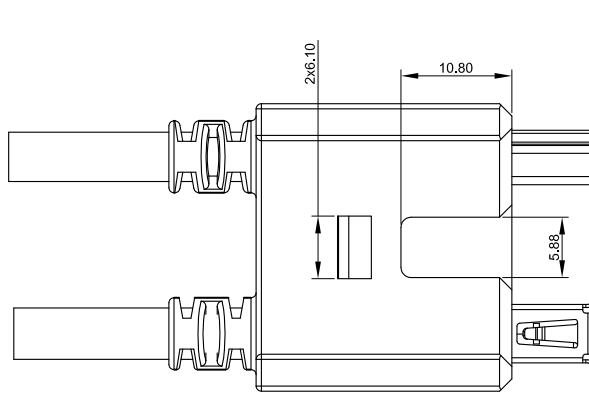
2

1

This document is the property of Amphenol Corporation and is delivered on the express condition that it is not to be disclosed, reproduced or used, in whole or in part, for manufacture or sale by anyone other than Amphenol Corporation without its prior consent, & that no right is granted to disclose or to use any information in this document.

# CUSTOMER DRAWING

REVISIONS				
SYM	ECN	DESCRIPTION	DATE	APPROVED



UNLESS OTHERWISE SPECIFIED TOLERANCES		APPROVAL		DATE	Amphenol Amphenol East Asia Limited	
U.S.	METRIC	DRAWN	Harvey	11/02/15		
X. +/-	20	CHECKED			TITLE CUSTOMER DRAWING FOR (HDMI A/F TO E/M)+(USB A/F TO MICRO FIT) CBALE ASSEMBLY	
.XX +/-	0.50	CHECKED				
FRACTIONS +/-	5°	DRAWING FILE : DRAWING\HDMI\CBA00HDMIW028&038-5			SIZE A3	
FOR MATERIALS AND FINISHES SEE NOTES		REMOVE SHARP EDGES			DRAWING NO. CBA00HDMIW028&038	
		DIMENSIONS			REV. 5	
U.S.	INCHES	ANGLE OF PROJECTION			SCALE 1:1	
METRIC	MM				SHEET 2 OF 2	