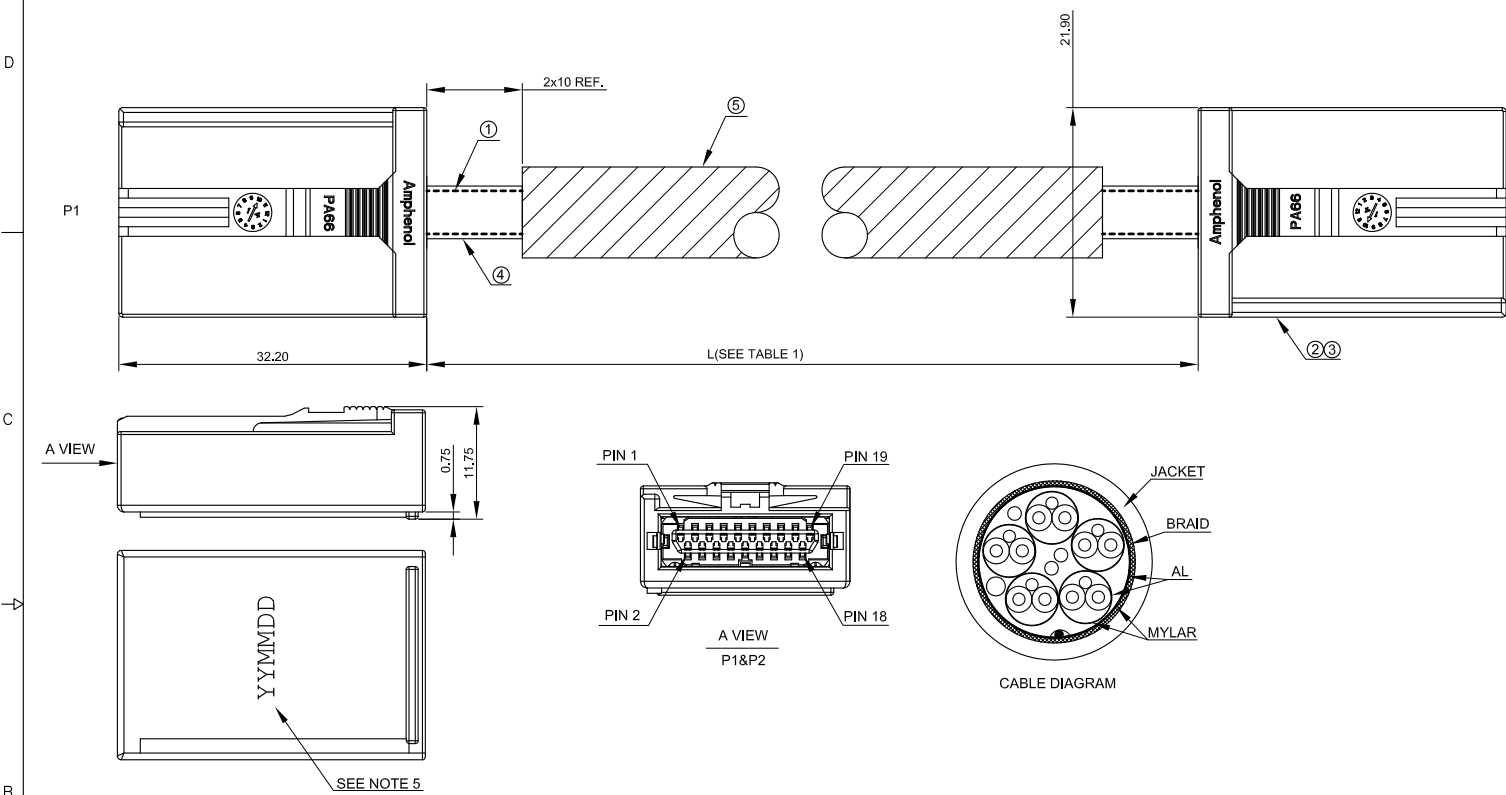


This document is the property of Amphenol Corporation and is delivered on the express condition that it is not to be disclosed, reproduced or used, in whole or in part, for manufacture or sale by anyone other than Amphenol Corporation without its prior consent, & that no right is granted to disclose or to use any information in this document.

# CUSTOMER DRAWING

REVISIONS				
SYM	ECN	DESCRIPTION	DATE	APPROVED
1	N/A	NEW RELEASE	10/28/15	IP
2	N/A	ADD D/C	11/02/15	IP
3	N/A	ADD P/N:CBA00HDMIW040	11/06/15	IP
4	N/A	CANCEL P/N:CBA00HDMIW040	12/07/15	IP
5	N/A	ADD SPONGE FOR CUSTOMER'S REQUIREMENT	03/04/16	IP
6	N/A	ADD P/N:CBA00HDMIW045	03/18/16	IP
7	N/A	CHANGE LENGTH OF CBA00HDMIW039 FOR CUSTOMER'S REQUIREMENT	03/25/16	IP
8	HK7388	CANCEL P/N:CBA00HDMIW045	03/31/16	IP
9	TBA	ADD P/N:CBA01HDMIW039	05/04/17	IP



P1 PIN	PIN OUT	P2 PIN	SIGNAL ASSIGNMENT
1		1	D1 +
3		3	D1 -
5		5	GND
4		4	D2 +
6		6	D2 -
2		2	GND
7		7	D3 +
9		9	D3 -
11		11	GND
10		10	D4 +
12		12	D4 -
8		8	GND
13		13	D5 +
15		15	D5 -
14		14	GND
16		16	N/A
17		17	N/A
19		19	N/A
18	26AWG	18	POWER
SHELL	DRAIN	SHELL	GND

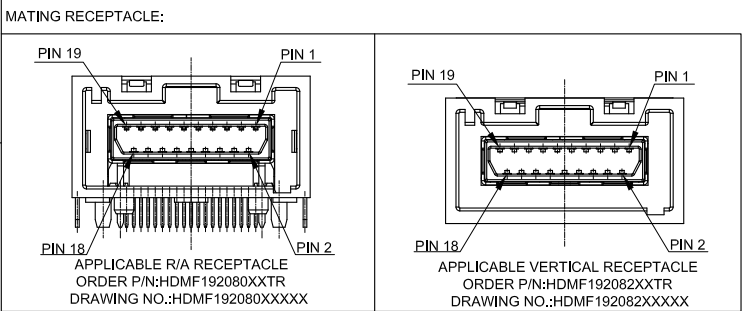


TABLE 1:

ITEM	P/N	L
2	CBA01HDMIW039	400±15
1	CBA00HDMIW039	600±15

NOTES:  
 1.100% OPEN AND SHORT TEST;  
 2.INSULATION RESISTANCE:DC 150V,10Mohm Min.;  
 3.ELECTRICAL VOLTAGE:AC 300V/MINUTE.  
 4.CONTACTOR RESISTANCE:3 ohm Max..  
 5.DATE CODE:YYMMDD  
 "YY" MEANS THE YEAR  
 "MM" MEANS MONTH  
 "DD" MEANS WORK DAY  
 EX.150101 MEANS JAN. 1ST,2015  
 FONT: COURIER NEW  
 FONT SIZE:8

UNLESS OTHERWISE SPECIFIED TOLERANCES U.S. METRIC X. +/- 20 .XX +/- 0.50 FRACTIONS +/- ANGLES +/- 5° FOR MATERIALS AND FINISHES SEE NOTES REMOVE SHARP EDGES DIMENSIONS U.S. INCHES METRIC MM	APPROVAL DRAWN Harvey Yan CHECKED CHECKED	DATE 05/04/17	<b>Amphenol</b> Amphenol East Asia Limited TITLE CUSTOMER DRAWING FOR HDMI E/M TO E/M CABLE ASSEMBLY
	DRAWING FILE : DRAWING\CBA\CBA00HDMIW039-9.dwg	SIZE A3	
SCALE NONE			REV. 9
SHEET 1 OF 1			

NO.	PARTS NAME	SPECIFICATION STANDARD
5	SPONGE	COLOR:BLACK
4	TUBE	HEAT SHRINKABLE TUBE_BLACK
3	INNER MOLD	LDPE/NATURE
2	CONNECTOR	HDMI E TYPE MALE,CONTACT AREA PLATED 30u" GOLD,OUTER HSG_WHITE
1	CABLE	(32AWG×1P+EAM)×5+32AWG×3C+26AWG×1C+AEB,OD:5.0±0.2MM BLACK;PRINTING ON HDMI CABLE:STANDARD AUTOMOTIVE HDMI™ CABLE AWM STYLE 30V VW-1 105°C