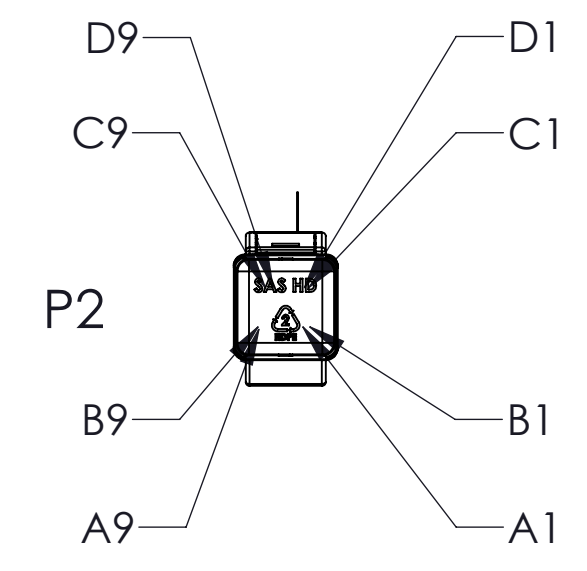
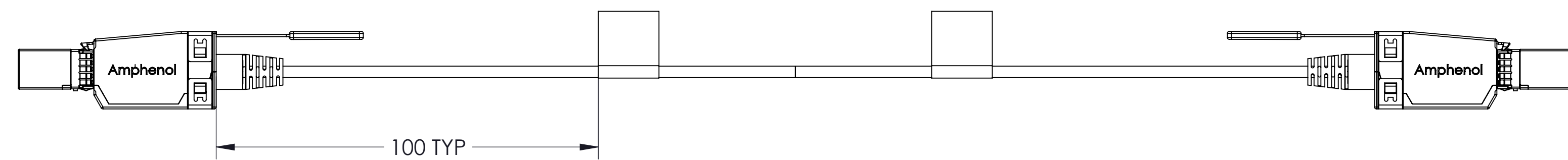
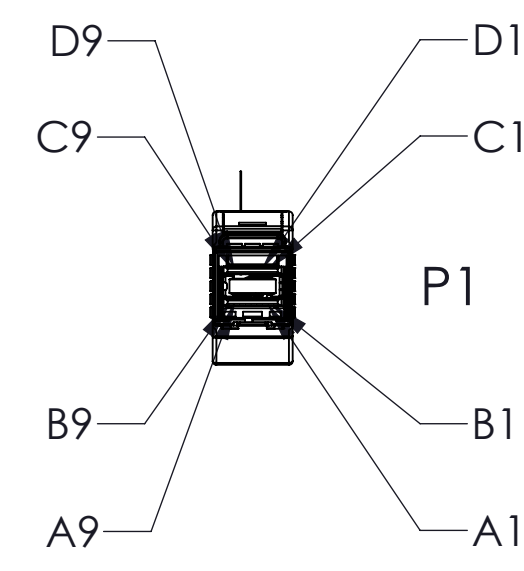
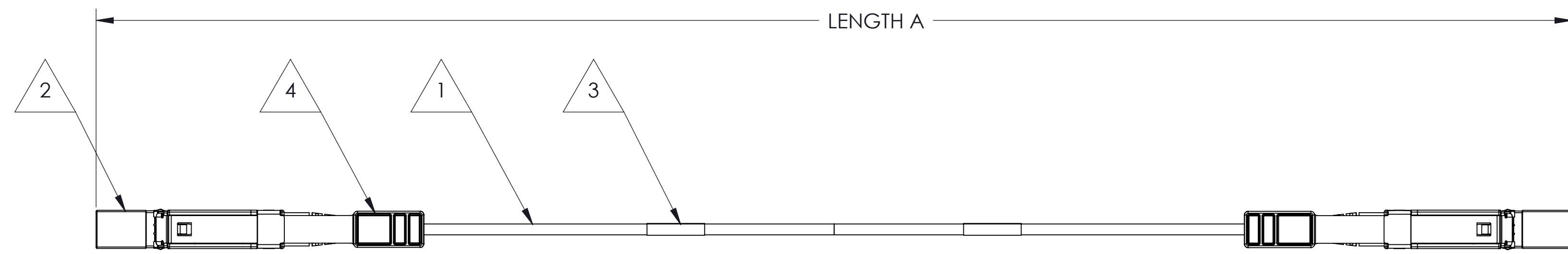
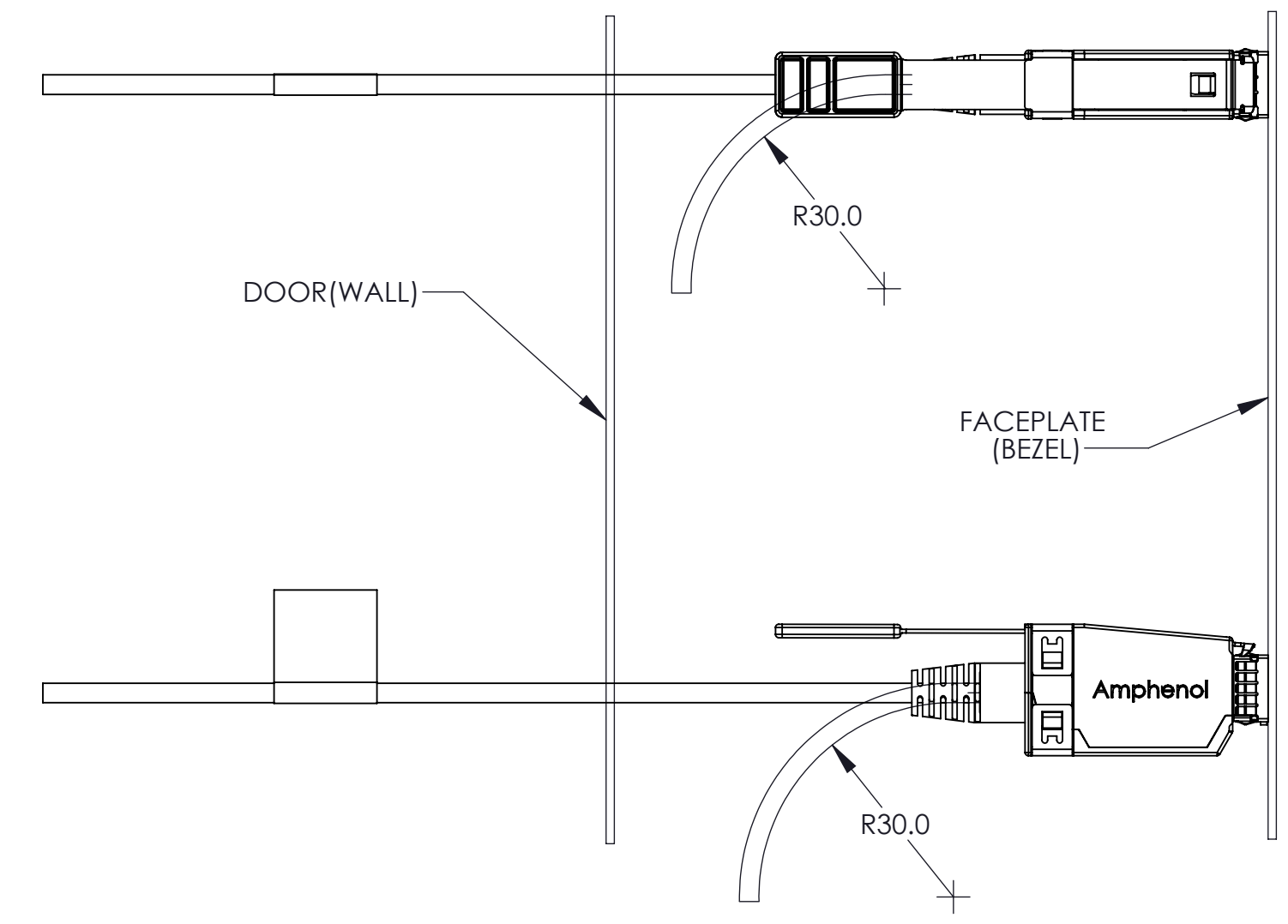
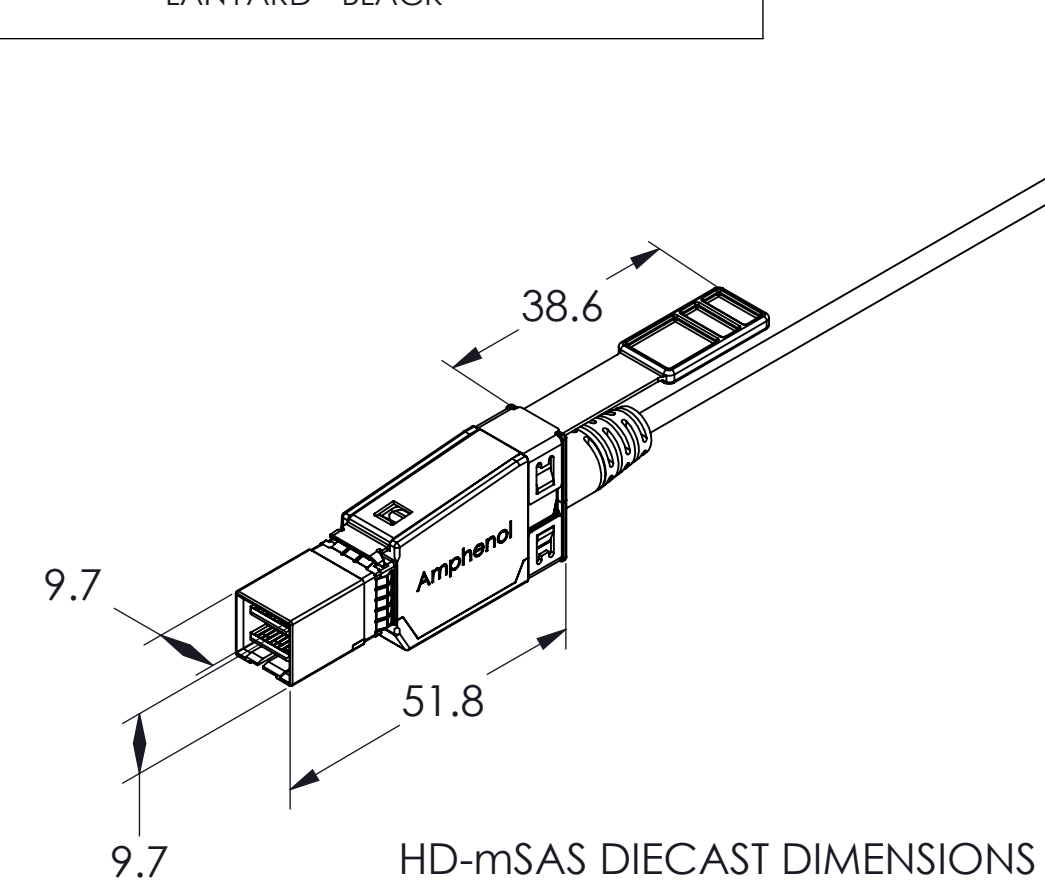


ZONE	REV.	SCR NUMBER	REVISIONS DESCRIPTION	BY	DATE	APPROVED
-	A	ACOD-A26LRJ.VER01	INITIAL RELEASE	TJC	09/01/2015	DJD

AHSP P/N	LENGTH "A" (mm)
FOHHB23L00001	1000 ⁺¹⁰⁰ MM
FOHHB23L00002	2000 ⁺¹⁰⁰ MM
FOHHB23L00003	3000 ⁺¹⁰⁰ MM
FOHHB23L00004	4000 ⁺¹⁰⁰ MM
FOHHB23L00005	5000 ⁺¹⁰⁰ MM
FOHHB23L00006	6000 ⁺¹²⁵ MM
FOHHB23L00008	8000 ⁺¹²⁵ MM
FOHHB23L00010	10000 ⁺¹²⁵ MM
FOHHB23L00012	12000 ⁺¹²⁵ MM
FOHHB23L00015	15000 ⁺¹²⁵ MM
FOHHB23L00020	20000 ⁺¹⁵⁰ MM
FOHHB23L00025	25000 ⁺¹⁵⁰ MM
FOHHB23L00030	30000 ⁺¹⁵⁰ MM
FOHHB23L00050	50000 ⁺¹⁵⁰ MM
FOHHB23L00100	100000 ⁺¹⁵⁰ MM



ITEM NUMBER	DESCRIPTION
1	LSZH, OM3, 8 FIBER 50/125 μ M
2	PLUG, HD-mSAS, REFERENCE SFF-8436
3	LABEL - AHSP P/N, REV, DATE CODE, LENGTH, CoO & SERIAL NUMBER
4	LANYARD - BLACK



- UL LABEL MUST BE ON THE SHIPPING CARTON PER SUBJECT 764 OF THE UL COMPONENT WIRING HARNESS(ZPFW2) FILE#E86140. CSA LABEL MUST BE ON SHIPPING CARTON.
- PACKAGE COMPLETED ASSY IN AN IN APPROPRIATELY SIZED ESD BAG.
- EPROM CONTENT SHALL BE COMPLIANT WITH SFF-8636 SECIFICATIONS FOR SAS 3.0. EPROM REVISION IS EQUAL TO ATCS PART NUMBER REVISION.
- COMPLIANT TO EU DIRECTIVE 2011/65/EU - ROHS2.
- CABLE ASSEMBLIES SHALL BE COMPLIANT TO SAS 3.0 SPECIFICATION AT MINIMUM.
- THIS DRAWING IS RESERVED FOR AMPHENOL STANDARD PRODUCT.

TOLERANCES	DWN 09/01/2015 TJC	Amphenol AHSP A Division of Amphenol Corporation 200 Innovative Way, Suite 201, Nashua, N.H. 03062 (603) 879-3000
0.0	± 0.1	
0.00	± 0.08	
	±	
ANGLES	APVD 09/01/2015 TJC	TITLE CABLE ASSEMBLY, HD-mSAS TO HD-mSAS, OM3 LSZH, ACTIVE OPTICAL, SAS 3.0
UNLESS OTHERWISE SPECIFIED DIMENSIONS ARE IN mm		PART NO. SEE TABLE 1 REV N/A
CUSTOMER USE DRAWING		DRAWING NO. C-FOHH-B2-3L-00999 REV A
CODE IDENT 31413		SIZE D SCALE 1:1 SHEET 1 OF 1

