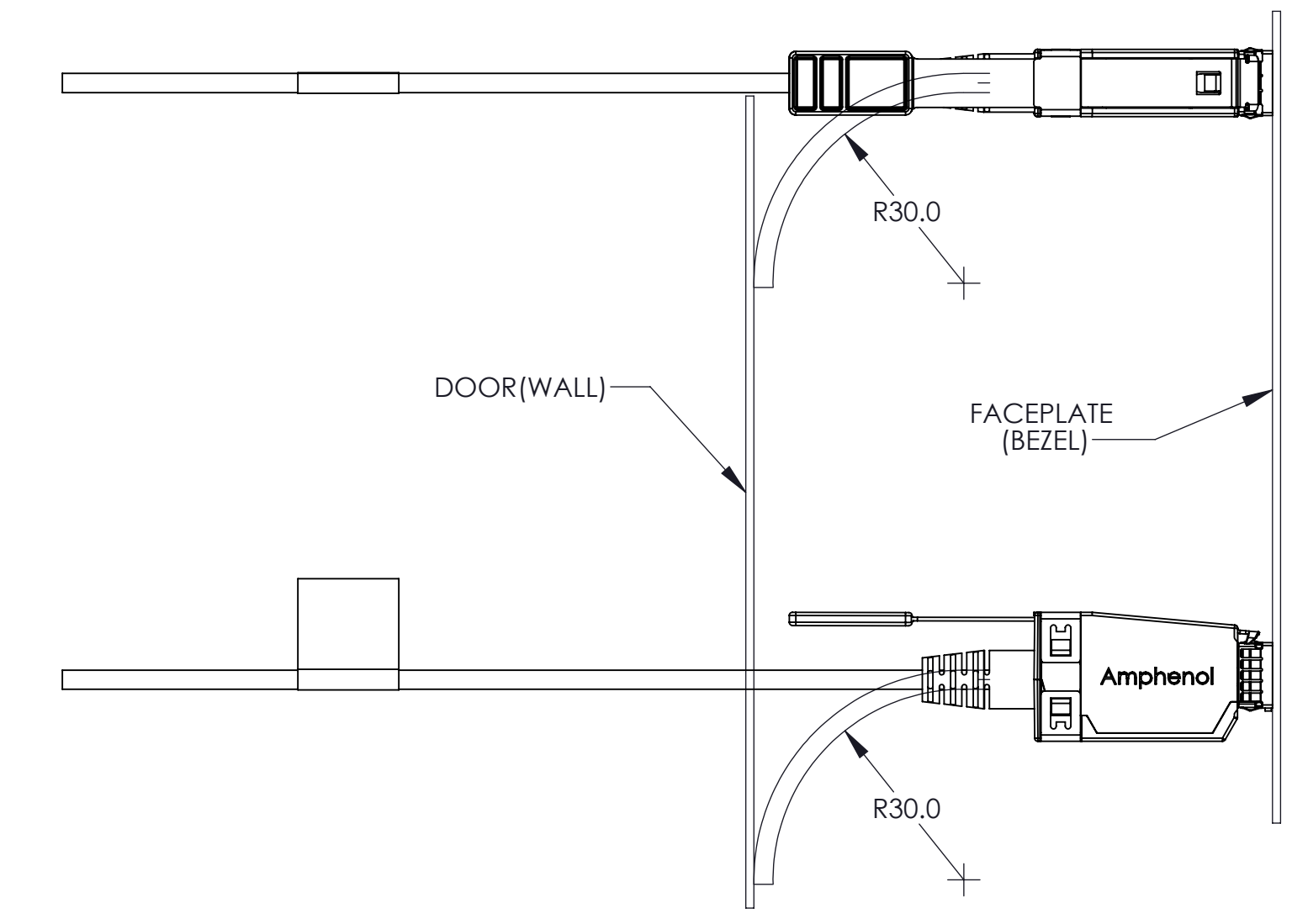
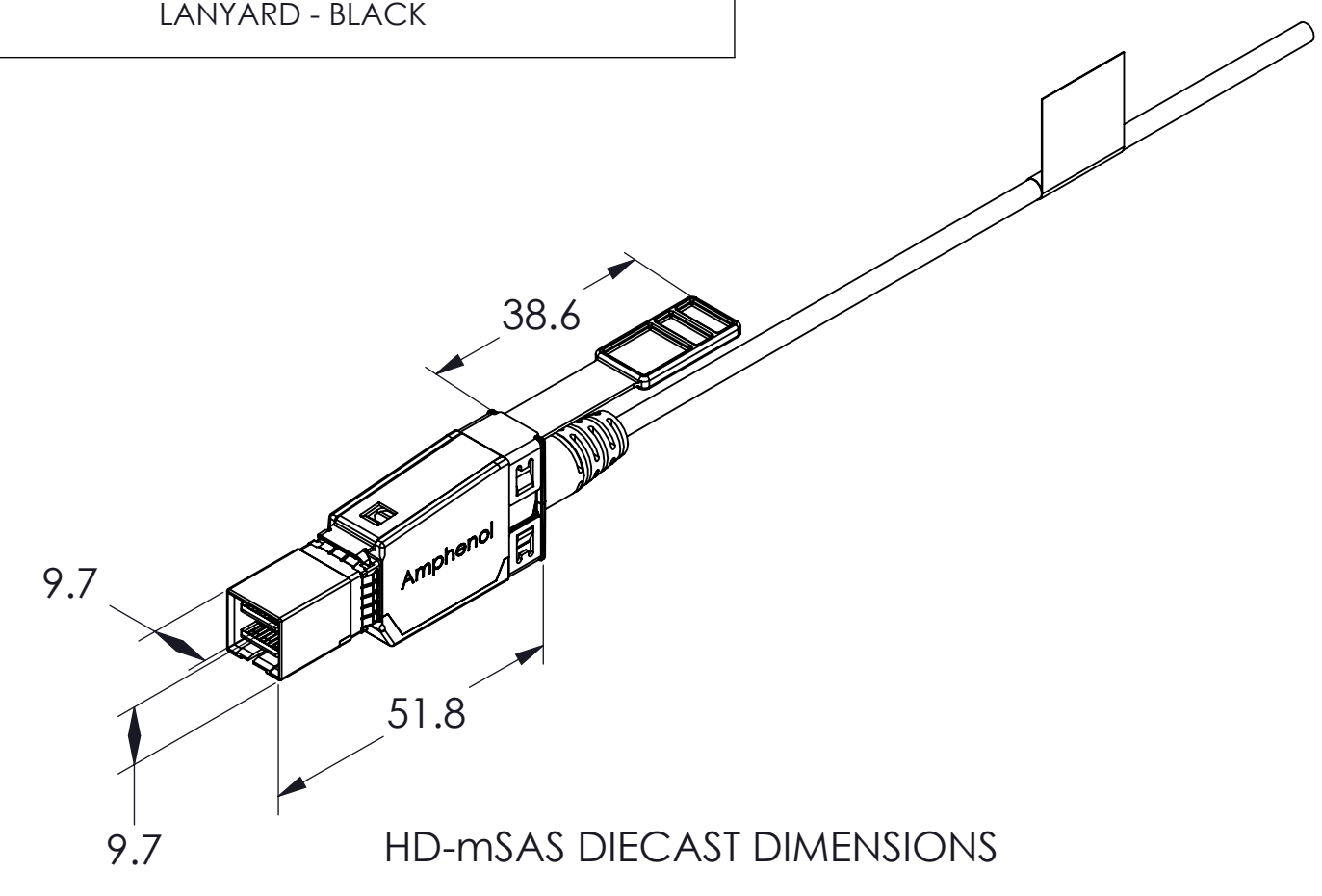
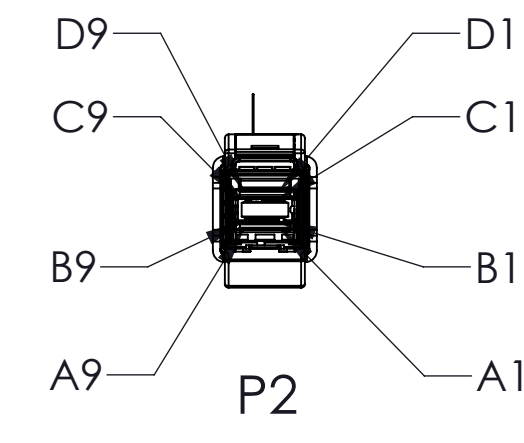
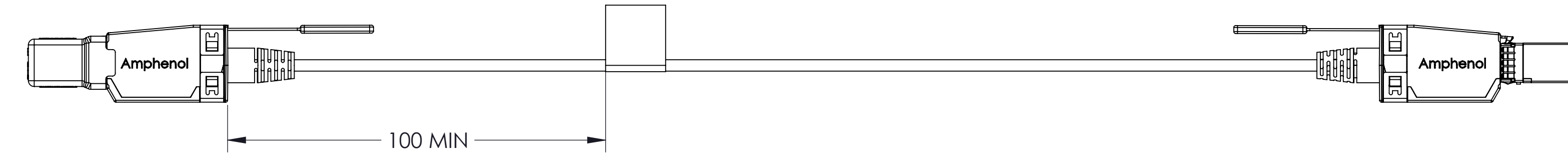
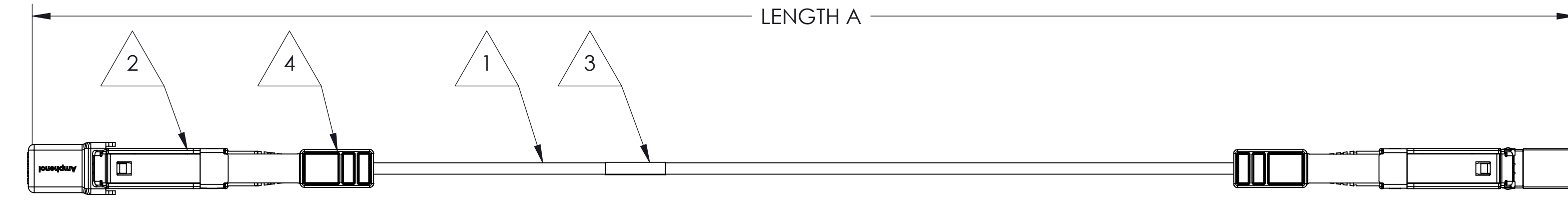
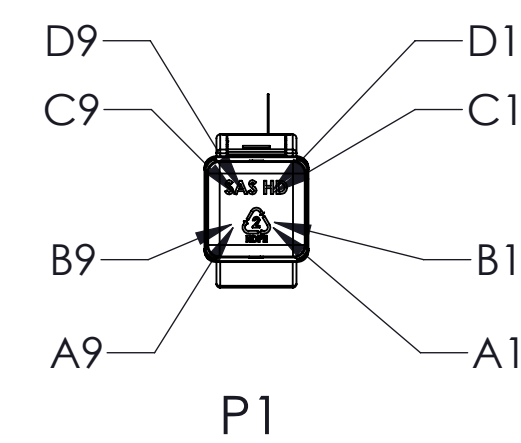


ZONE	REV.	SCR NUMBER	DESCRIPTION	BY	DATE	APPROVED
-	A	ACOD-A26NEC.VER01	INITIAL RELEASE	TJC	09/01/2015	DJD
-	B	ACOD-A73JUG.VER01	ADD 7/9M	TJC	02/12/2016	DJD

AHSP P/N	LENGTH "A" (mm)
FOHHB23P00001	1000 ^{+100MM}
FOHHB23P00002	2000 ^{+100MM}
FOHHB23P00003	3000 ^{+100MM}
FOHHB23P00004	4000 ^{+100MM}
FOHHB23P00005	5000 ^{+100MM}
FOHHB23P00006	6000 ^{+125MM}
FOHHB23P00007	7000 ^{+125MM}
FOHHB23P00008	8000 ^{+125MM}
FOHHB23P00009	9000 ^{+125MM}
FOHHB23P00010	10000 ^{+125MM}
FOHHB23P00012	12000 ^{+125MM}
FOHHB23P00015	15000 ^{+125MM}
FOHHB23P00020	20000 ^{+150MM}
FOHHB23P00025	25000 ^{+150MM}
FOHHB23P00030	30000 ^{+150MM}
FOHHB23P00050	50000 ^{+150MM}
FOHHB23P00100	100000 ^{+150MM}

ITEM NUMBER	DESCRIPTION
1	OFNP, OM3, 8 FIBER 50/125 μ M
2	PLUG, HD-mSAS, REFERENCE SFF-8436
3	LABEL - AHSP P/N, REV, DATE CODE, LENGTH, CoO & SERIAL NUMBER
4	LANYARD - BLACK



- UL LABEL MUST BE ON THE SHIPPING CARTON PER SUBJECT 764 OF THE UL COMPONENT WIRING HARNESS(ZPFW2) FILE#E86140. CSA LABEL MUST BE ON SHIPPING CARTON.
- PACKAGE COMPLETED ASSY IN AN IN APPROPRIATELY SIZED ESD BAG.
- EPROM CONTENT SHALL BE COMPLIANT WITH SFF-8636 SECIFICATIONS FOR SAS 3.0. EPROM REVISION IS EQUAL TO ATCS PART NUMBER REVISION.
- COMPLIANT TO EU DIRECTIVE 2011/65/EU - ROHS2.
- CABLE ASSEMBLIES SHALL BE COMPLIANT TO SAS 3.0 SPECIFICATION AT MINIMUM.
- THIS DRAWING IS RESERVED FOR AMPHENOL STANDARD PRODUCT.

TOLERANCES	CHK	DATE	APPROVED
0.0	TJC	09/08/2015	TJC
0.00	DJD	09/08/2015	DJD
ANGLES	TJC	09/08/2015	TJC

Amphenol AHSP
A Division of Amphenol Corporation
200 Innovative Way, Suite 201, Nashua, N.H. 03062 (603) 879-3000

TITLE
CABLE ASSEMBLY, HD-mSAS TO HD-mSAS, OM3 OFNP, ACTIVE OPTICAL, SAS 3.0



INTERPRET PER ASME Y14.5
CODE IDENT 31413

CUSTOMER USE DRAWING

PART NO.	REV	
SEE TABLE 1	N/A	
DRAWING NO.	REV	
C-F0HH-B2-3P-00999	B	
SIZE	SCALE	SHEET
D	1:1	1 OF 1