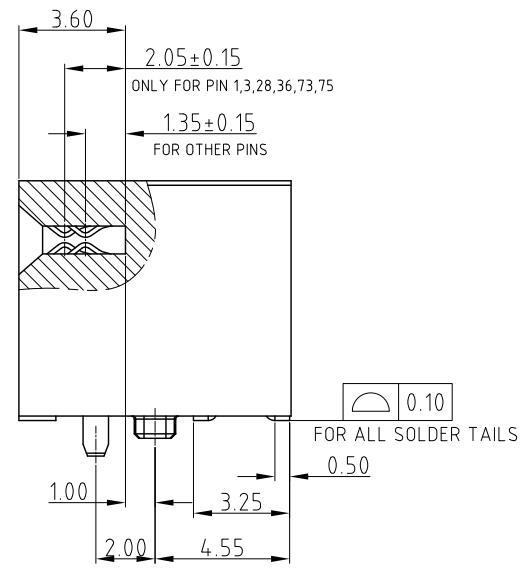
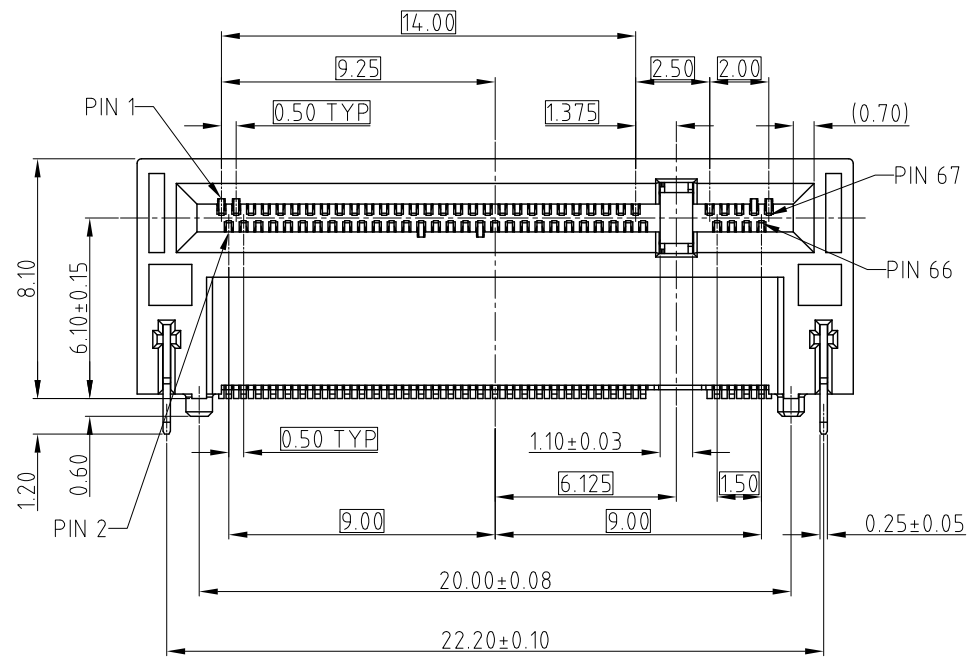
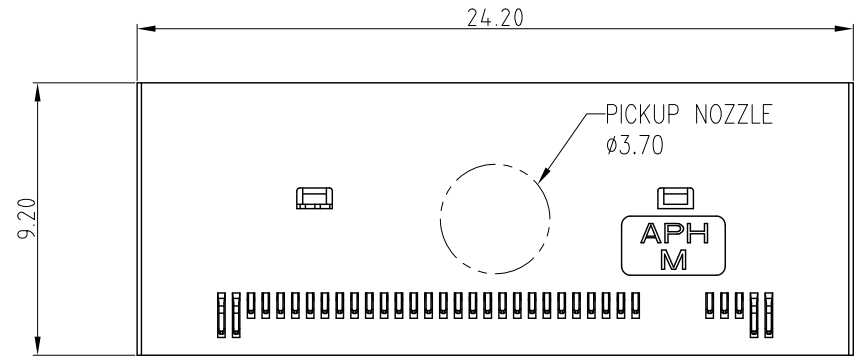


This document is the property of Amphenol Corporation and is delivered on the express condition that it is not to be disclosed, reproduced or used, in whole or in part, for manufacture or sale by anyone other than Amphenol Corporation without its prior consent, & that no right is granted to disclose or to use any information in this document.

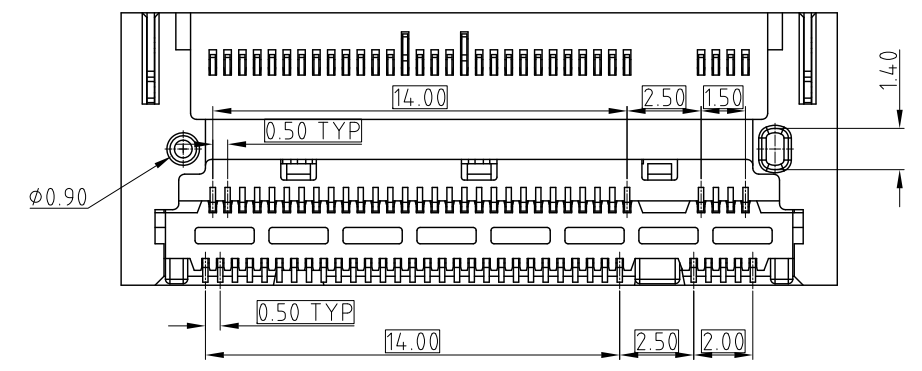
CUSTOMER DRAWING

REVISIONS				
SYM	ECN	DESCRIPTION	DATE	APPROVED
1	CDXXXX	PRELIMINARY PROPOSAL	Nov.27,2017	YH
2	CDXXXX	ADD PIN DEFINITIONS	Dec.4,2017	YH
3	CDXXXX	UPDATE TITLE TO ADD MICRO COOL EDGE	Jul.10,2018	YH



NOTE:

1. MATERIAL:
PLASTIC-HIGH TEMPRATURE THERMOPLASTIC, UL 94V-0, BLACK
CONTACT: COPPER ALLOY
BOARD LOCK: ALLOY
2. FINISHED:
CONTACT AREA: 30u" MIN Au PLATED
SOLDER AREA: GOLD FLASH
BOARD LOCK: TIN PLATING 2.54um MIN
UNDERPLATED: NI PLATING 1.27um MIN
3. ELECTRICAL PERFORMANCE:
CURRENT RATING: 0.5A PER PIN
4. PRODUCT SHALL MEET ALL DIMENSIONS BEFORE EXPOSURE TO 260°C MAX. FOR 10S AND SHALL MEET ALL SELECTED FUNCTIONAL DIMENSION AFTER EXPOSURE TO 260°C MAX. FOR 10S.
5. PACKING IN TAPE AND REEL.
6. MATERIAL SHOULD BE FULFILLED RoHS AND/OR HF REQUIREMENTS.
7. ORDERING PN: MD3670M02006111



PROPOSAL DRAWING

UNLESS OTHERWISE SPECIFIED TOLERANCES U.S. METRIC .X +/- 0.50 .XX +/- 0.25 .XXX +/- FRACTIONS +/- ANGLES +/- 5° FOR MATERIALS AND FINISHES SEE NOTES REMOVE SHARP EDGES DIMENSIONS U.S. INCHES (METRIC) (MM)	APPROVAL		DATE	
	DRAWN	Yunx.liu	Jul.10,2018	
	CHECKED	Ly.yi	Jul.10,2018	
	APPROVED			
DRAWING FILE :		DRAWING\MDT\CMD3670M02006111		
ANGLE OF PROJECTION				

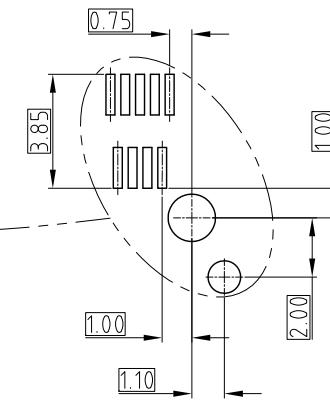
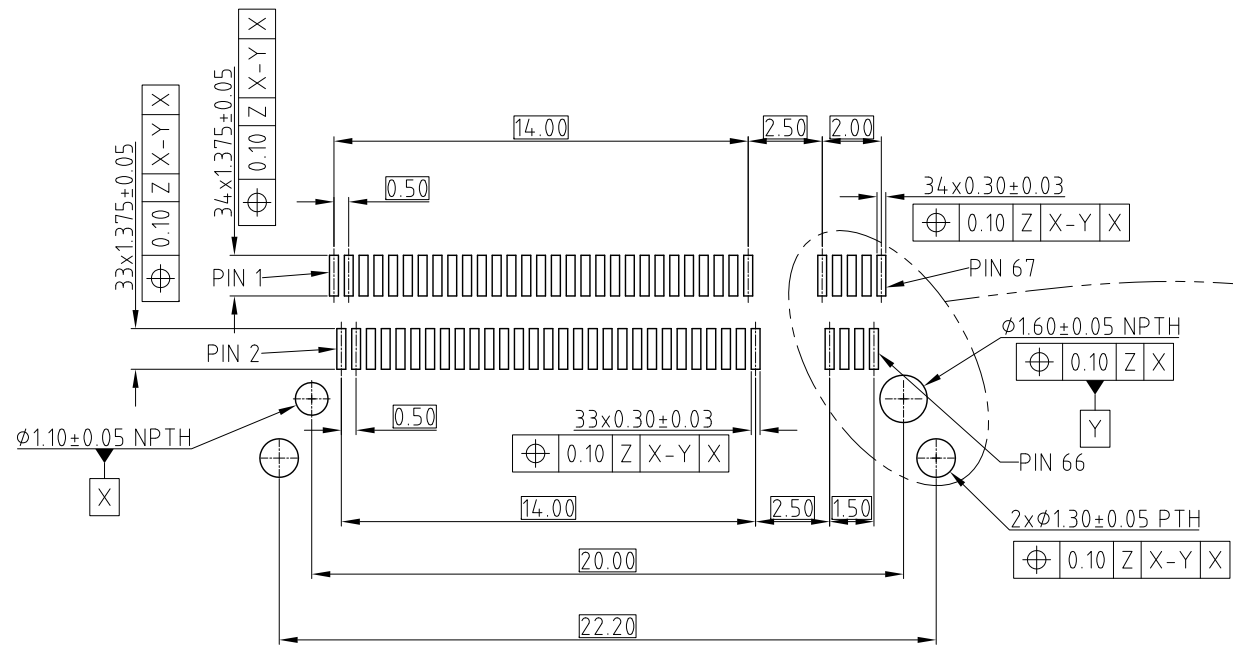
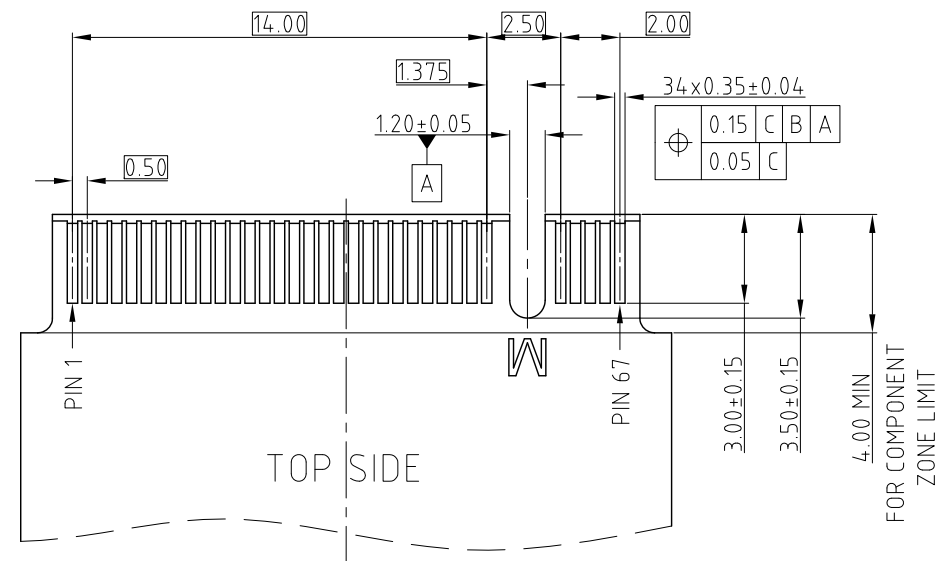
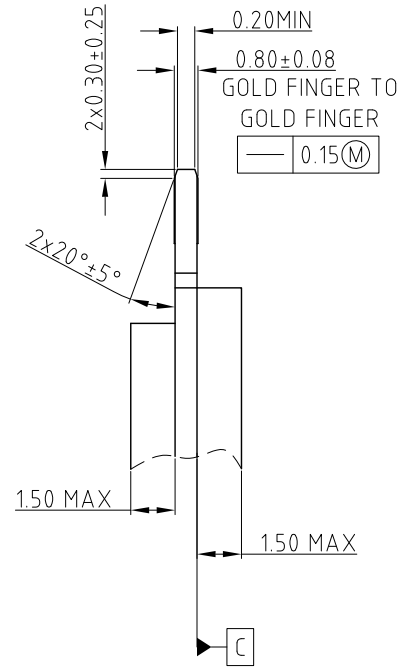
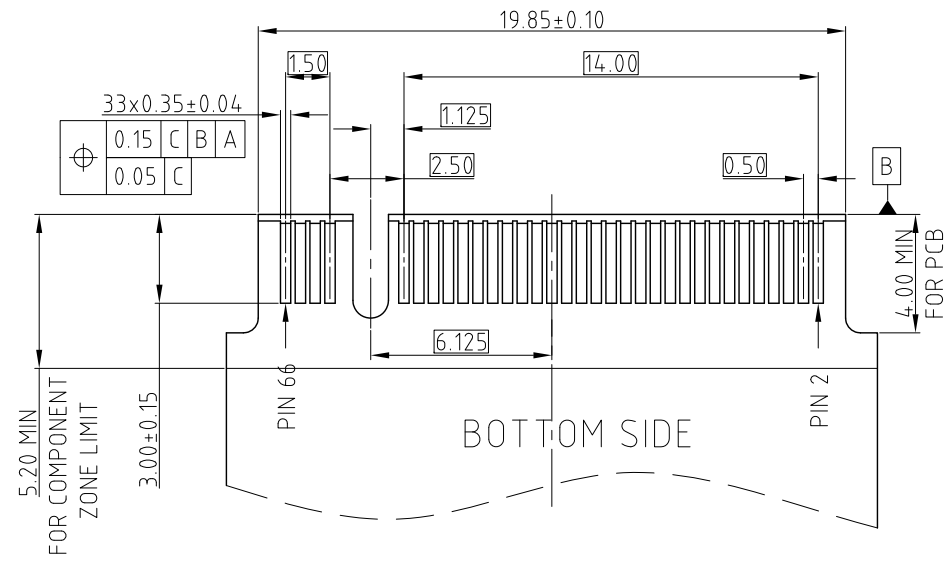
Amphenol		
TITLE MICRO COOL EDGE		
67PIN RIGHT ANGLE NF1/NGSFF 0.5mm PITCH CONNECTOR		
SIZE	DRAWING NO.	REV.
A3	C MD3670M02006111	2
SCALE	NONE	SHEET 1 OF 3

This document is the property of Amphenol Corporation and is delivered on the express condition that it is not to be disclosed, reproduced or used, in whole or in part, for manufacture or sale by anyone other than Amphenol Corporation without its prior consent, & that no right is granted to disclose or to use any information in this document.

CUSTOMER DRAWING

REVISIONS				
SYM	ECN	DESCRIPTION	DATE	APPROVED
		SEE SHEET 1		

MODULE CARD



UNLESS OTHERWISE SPECIFIED TOLERANCES U.S. METRIC .X +/- 0.50 .XX +/- 0.25 .XXX +/- FRACTIONS +/- ANGLES +/- 5° FOR MATERIALS AND FINISHES SEE NOTES REMOVE SHARP EDGES DIMENSIONS U.S. INCHES (METRIC) (MM)	APPROVAL	DATE	Amphenol TITLE MICRO COOL EDGE 67PIN RIGHT ANGLE NF1/NGSFF 0.5mm PITCH CONNECTOR SIZE DRAWING NO. REV. A3 C MD3670M02006111 2 SCALE NONE SHEET 2 OF 3
	DRAWN Yunx.liu	Jul.10,2018	
	CHECKED Ly.yi	Jul.10,2018	
	APPROVED		
	DRAWING FILE :		
	DRAWING\MDT\CMD3670M02006111		
	ANGLE OF PROJECTION		

This document is the property of Amphenol Corporation and is delivered on the express condition that it is not to be disclosed, reproduced or used, in whole or in part, for manufacture or sale by anyone other than Amphenol Corporation without its prior consent, & that no right is granted to disclose or to use any information in this document.

CUSTOMER DRAWING

REVISIONS				
SYM	ECN	DESCRIPTION	DATE	APPROVED
		SEE SHEET 1		

Foot Print Pin Number	Interface Pin Number	NGSFF Socket 3 PCIe (m-Key, 1Port x4Lane)		Interface Pin Number	Foot Print Pin Number
74	74	74	N/C	75	75
72	72	72	N/C	73	73
70	70	70	N/C	71	71
68	68	68	SUSCLK(32KHz)	69	69
66(Blank)	66(Blank)	66	Module Key M	67	67
64(Blank)	64(Blank)	64	Module Key M	65(Blank)	65(Blank)
62(Blank)	62(Blank)	62	Module Key M	63(Blank)	63(Blank)
60(Blank)	60(Blank)	60	Module Key M	61(Blank)	61(Blank)
58	58	58	Reserved MFG_CLOCK	59(Blank)	59(Blank)
56	56	56	Reserved MFG_DATA	57	57
54	54	54	REWAKE#	55	55
52	52	52	CLKREQ#	53	53
50	50	50	PERST#0	51	51
48	48	48	N/C	49	49
46	46	46	N/C	47	47
44	44	44	ALERT#(0)(0/3.3V)	45	45
42	42	42	SMB_DATA(I/O)(0/3.3V)	43	43
40	40	40	SMB_CLK(I/O)(0/3.3V)	41	41
38	38	38	N/C	39	39
36	36	36	12V (Pre-Charge)	37	37
34	34	34	12V	35	35
32	32	32	12V	33	33
30	30	30	12V	31	31
28	28	28	PWDIS	29	29
26	26	26	GND	27	27
24	24	24	N/C	25	25
22	22	22	N/C	23	23
20	20	20	GND	21	21
18	18	18	N/C	19	19
16	16	16	N/C	17	17
14	14	14	N/C	15	15
12	12	12	3.3Vaux	13	13
10	10	10	LED1#	11	11
8	8	8	N/C	9	9
6	6	6	PRSNT2#	7	7
4	4	4	N/C	5	5
2	2	2	N/C	3	3
				1	1



UNLESS OTHERWISE SPECIFIED TOLERANCES U.S. METRIC .X +/- / 0.50 .XX +/- / 0.25 .XXX +/- FRACTIONS +/- ANGLES +/- 5° FOR MATERIALS AND FINISHES REMOVE SHARP EDGES DIMENSIONS U.S. INCHES (METRIC) (MM)	APPROVAL DRAWN Yunx.liu CHECKED Ly.yi APPROVED		DATE Jul.10,2018 Jul.10,2018		Amphenol TITLE MICRO COOL EDGE 67PIN RIGHT ANGLE NF1/NGSFF 0.5mm PITCH CONNECTOR SIZE DRAWING NO. REV. A3 C MD3670M02006111 2 SCALE NONE SHEET 3 OF 3
	DRAWING FILE : DRAWING\MDT\CMD3670M02006111				
	ANGLE OF PROJECTION 				
	REMOVE SHARP EDGES				