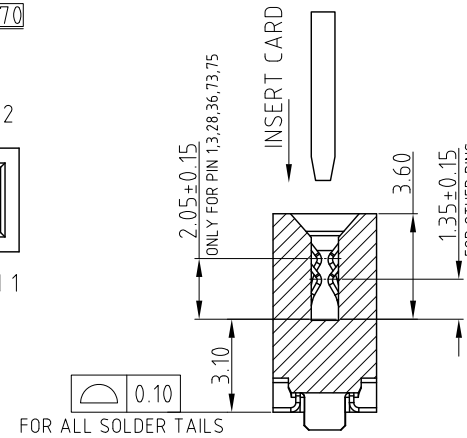
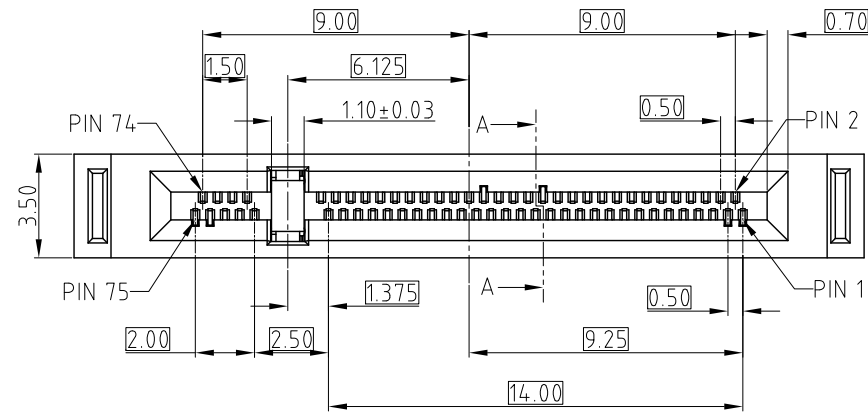


This document is the property of Amphenol Corporation and is delivered on the express condition that it is not to be disclosed, reproduced or used, in whole or in part, for manufacture or sale by anyone other than Amphenol Corporation without its prior consent, & that no right is granted to disclose or to use any information in this document.

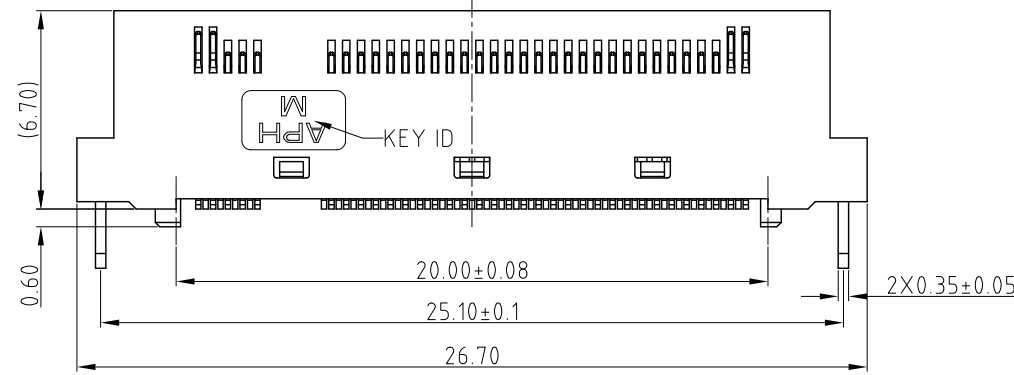
CUSTOMER DRAWING

REVISIONS

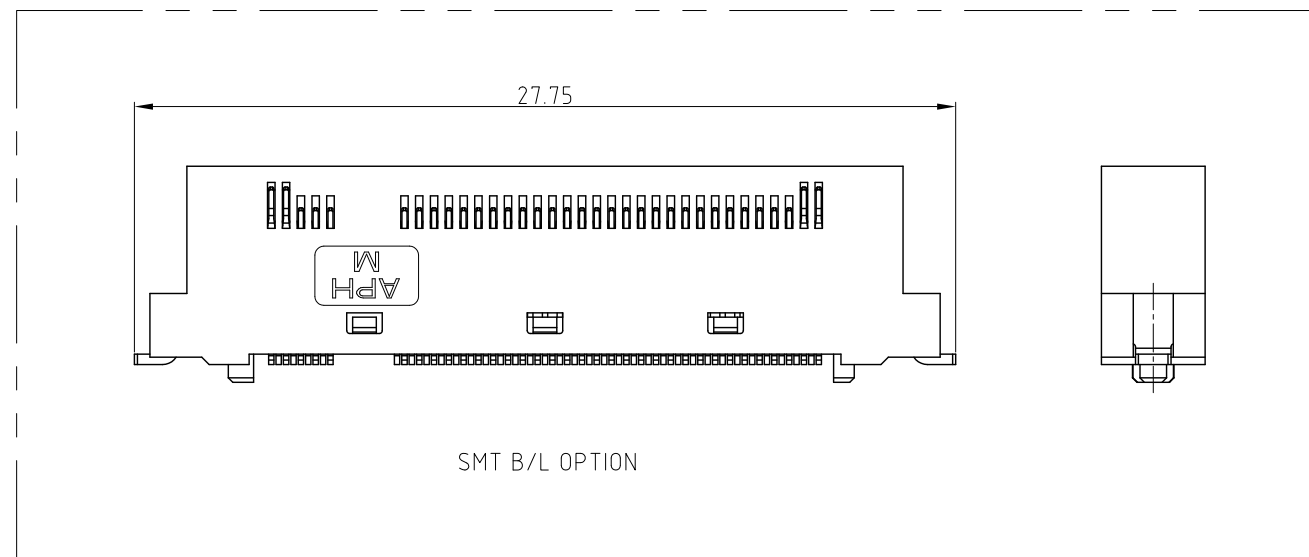
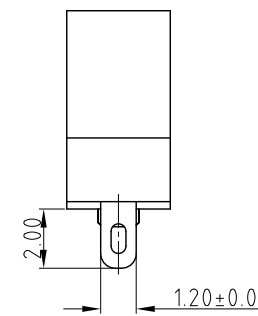
| SYM | ECN | DESCRIPTION | DATE | APPROVED |
|-----|--------|---|-------------|----------|
| 1 | CDXXXX | PRELIMINARY PROPOSAL | Mar.15,2017 | YH |
| 2 | CDXXXX | ADD SMT B/L OPTION | Mar.21,2017 | YH |
| 3 | CDXXXX | ADD KEY METAL, UPDATE TP OF GOLD FINGER TO 0.10 | Mar.27,2017 | YH |
| 4 | CDXXXX | UPDATE TITLE | Apr.5,2017 | YH |
| 5 | CDXXXX | UPDATE P/N SYSTEM | Aug.11,2017 | YH |
| 5 | CD1142 | OFFICIAL RELEASE | Aug.11,2017 | YH |
| 6 | CDXXXX | UPDATE TITLE TO ADD MICRO COOL EDGE | Jul.10,2018 | YH |



SECTION A-A



T/H B/L OPTION



SMT B/L OPTION

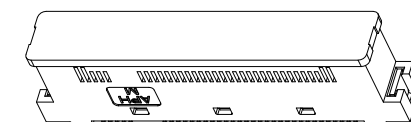
NOTE:

- MATERIAL:
 PLASTIC: LCP, UL 94V-0, BLACK
 CONTACT: COPPER ALLOY
 KEY METAL: STAINLESS STEEL
 BOARD LOCK: ALLOY
- FINISHED:
 CONTACT AREA: 30u" MIN Au PLATED
 SOLDER AREA: GOLD FLASH
 BOARD LOCK: TIN PLATING 2.54um MIN
 UNDERPLATED: NI PLATING 1.27um MIN
- ELECTRICAL PERFORMANCE:
 3.1 CURRENT RATING: 0.5A PER PIN
 3.2 DIELECTRIC STRENGTH: 300V AC FOR 1 MINUTE
 3.3 INSULATION RESISTANCE: 500MΩ MIN
 3.4 CONTACT RESISTANCE: 55mΩ MAX
 3.5 OPERATION TEMPERATURE: -40°C TO +80°C
- DIMENSIONING SHALL BE INTERPRETED PER ASME Y14.5M 1994
- MATERIAL SHOULD BE FULFILLED AMPHENOL SPEC# S-SN-002 FOR HALOGEN FREE PRODUCTS, ALSO NEED TO MEET # S-SN-004



ORDER P/N SYSTEM:

- MD3670MX100011X
- 0: T/H B/L
 - 1: SMT B/L
 - 1: TAPE & REEL PACKED WITH CAP
 - 2: TRAY PACKED WITHOUT CAP



WITH CAP

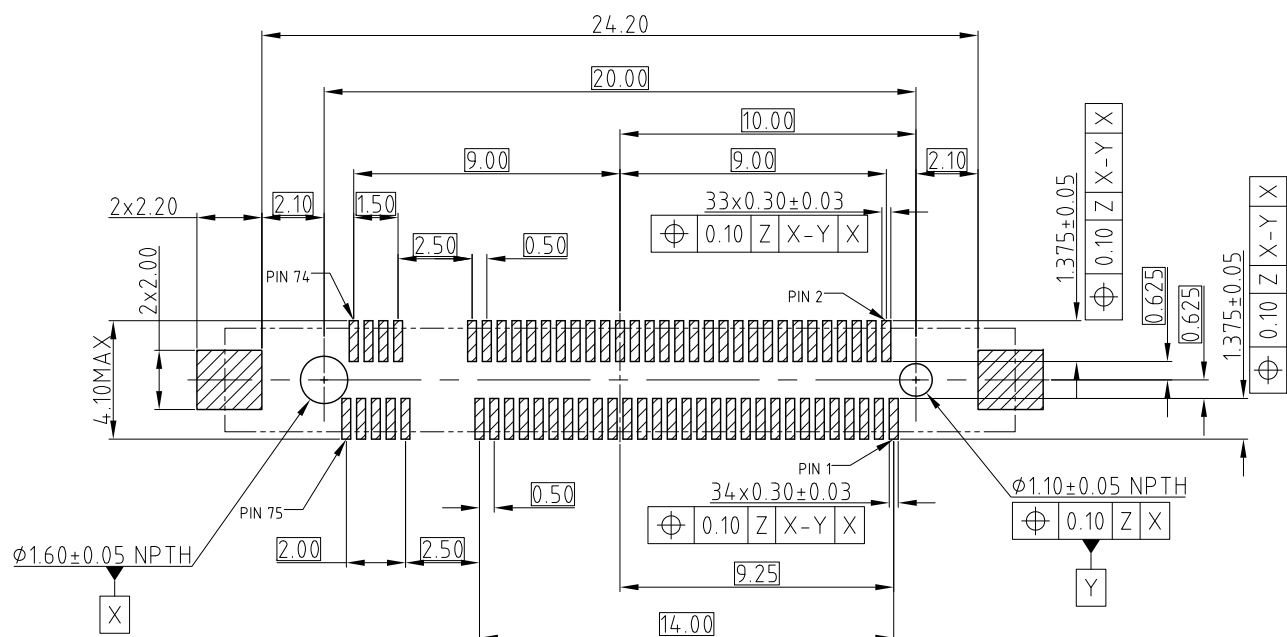
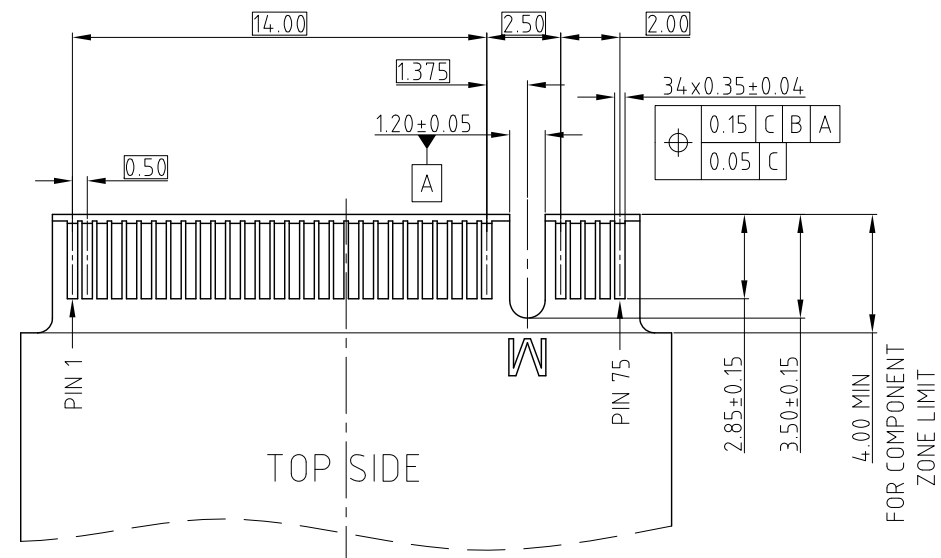
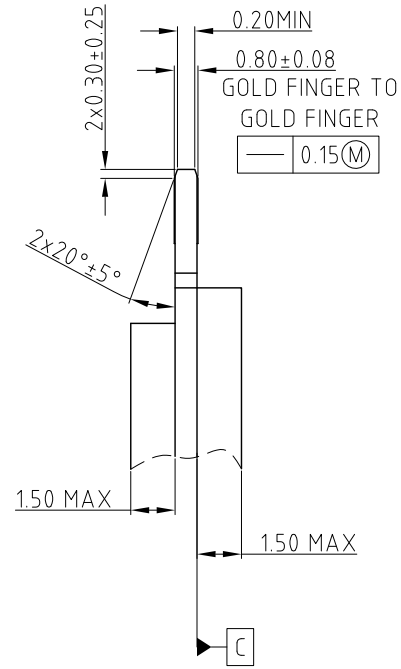
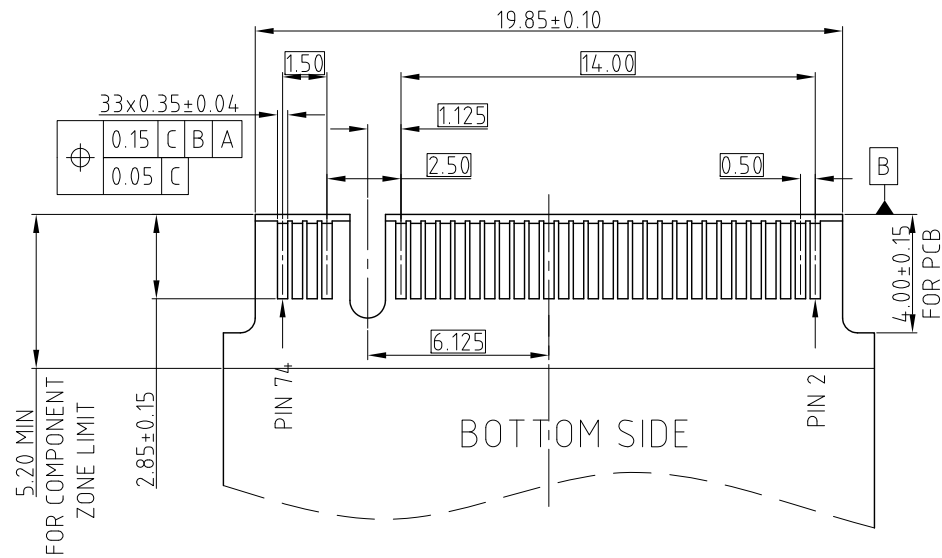
| | | | | | |
|--|----------|------------------------------|-------------|--|---|
| UNLESS OTHERWISE SPECIFIED TOLERANCES U.S. METRIC .X +/- 0.50 .XX +/- 0.25 .XXX +/- FRACTIONS +/- ANGLES +/- 5° FOR MATERIALS AND FINISHES SEE NOTES REMOVE SHARP EDGES DIMENSIONS U.S. INCHES (METRIC) (MM) | APPROVAL | | DATE | | Amphenol TITLE MICRO COOL EDGE 67PIN VERTICAL NF1/NGSFF 0.5mm PITCH CONNECTOR SIZE DRAWING NO. REV. A3 C MD3670MX100011X 6 SCALE NONE SHEET 1 OF 2 |
| | DRAWN | Yunx.liu | Jul.10,2018 | | |
| | CHECKED | Ly.yi | Jul.10,2018 | | |
| | APPROVED | | | | |
| DRAWING FILE : | | DRAWING\MDT\CMD3670MX100011X | | | |
| ANGLE OF PROJECTION | | | | | |

This document is the property of Amphenol Corporation and is delivered on the express condition that it is not to be disclosed, reproduced or used, in whole or in part, for manufacture or sale by anyone other than Amphenol Corporation without its prior consent, & that no right is granted to disclose or to use any information in this document.

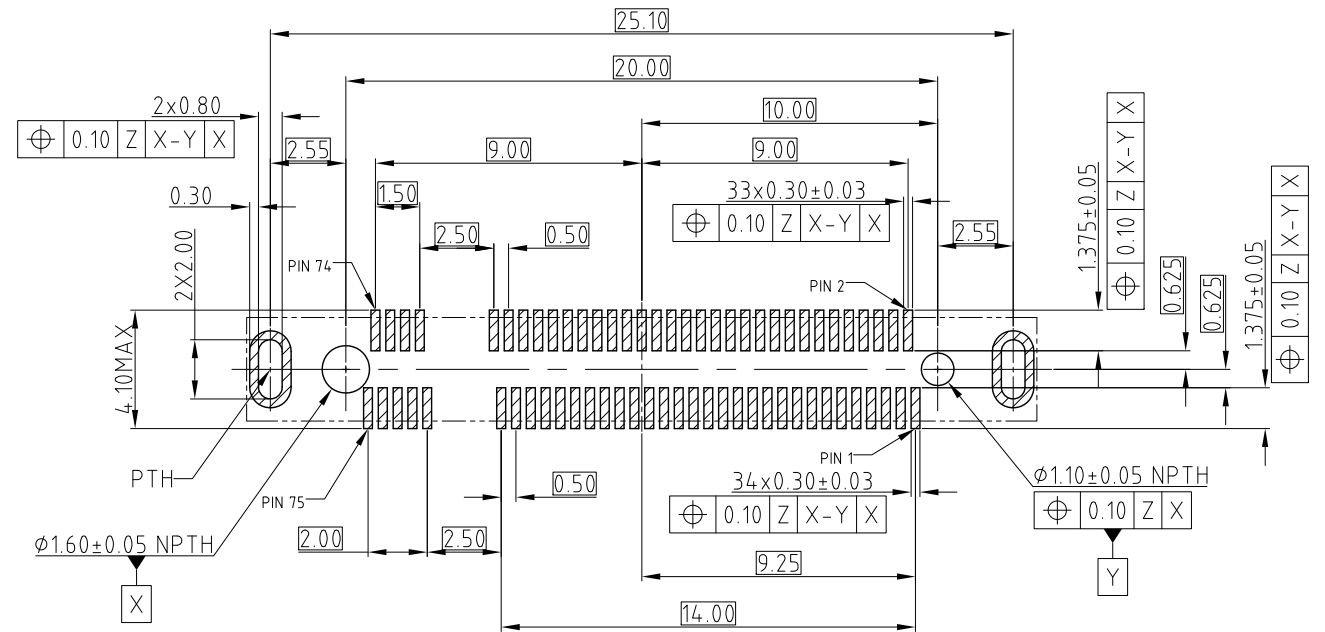
CUSTOMER DRAWING

| REVISIONS | | | | |
|-----------|-----|-------------|------|----------|
| SYM | ECN | DESCRIPTION | DATE | APPROVED |
| | | SEE SHEET 1 | | |

MODULE CARD



RECOMMENDED PCB OUTLINE (FOR SMT B/L OPTION)
TOLERANCE: ±0.05
DATUM Z: PCB SOLDER SURFACE



RECOMMENDED PCB OUTLINE (FOR T/H B/L OPTION)
TOLERANCE: ±0.05
DATUM Z: PCB SOLDER SURFACE

| | | | |
|---|------------------------------|-------------|---|
| UNLESS OTHERWISE SPECIFIED TOLERANCES U.S. METRIC .X +/- 0.50 .XX +/- 0.25 .XXX +/- FRACTIONS +/- ANGLES +/- 5° FOR MATERIALS AND FINISHES SEE NOTES REMOVE SHARP EDGES DIMENSIONS U.S. INCHES (METRIC) (MM) | APPROVAL | DATE | Amphenol TITLE MICRO COOL EDGE 67PIN VERTICAL NF1/NGSFF 0.5mm PITCH CONNECTOR SIZE DRAWING NO. REV. A3 C MD3670MX100011X 6 SCALE NONE SHEET 2 OF 2 |
| | DRAWN Yunx.liu | Jul.10,2018 | |
| | CHECKED Ly.yi | Jul.10,2018 | |
| | APPROVED | | |
| | DRAWING FILE : | | |
| | DRAWING\MDT\CMD3670MX100011X | | |
| | ANGLE OF PROJECTION | | |
| | | | |