

This document is the property of Amphenol Corporation and is delivered on the express condition that it is not to be disclosed, reproduced or used, in whole or in part, for manufacture or sale by anyone other than Amphenol Corporation without its prior consent, & that no right is granted to disclose or to use any information in this document.

CUSTOMER DRAWING

REVISIONS

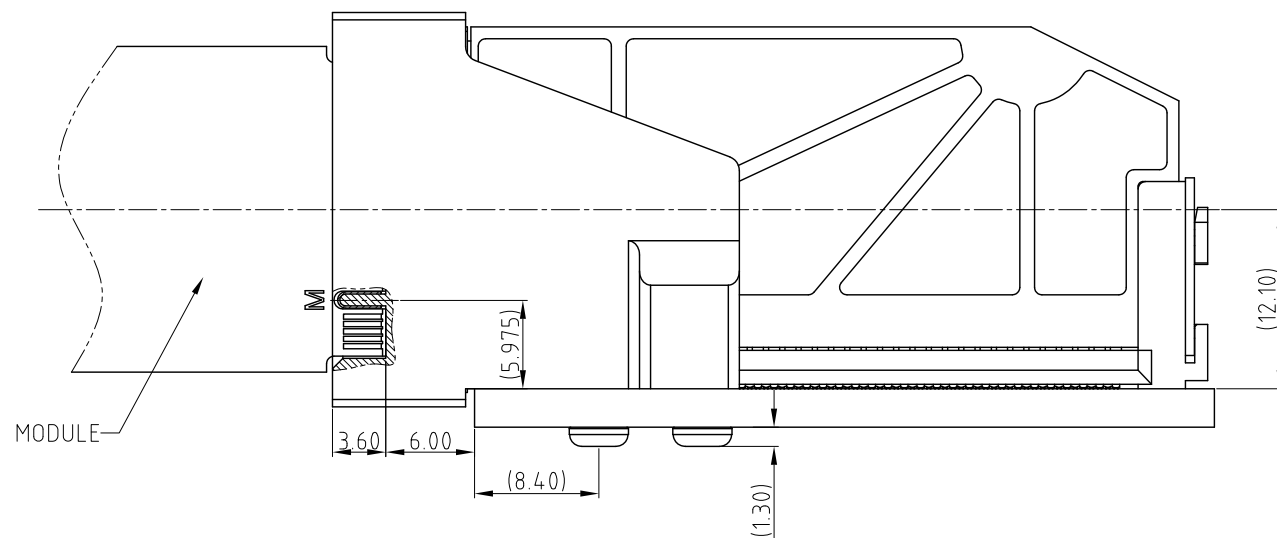
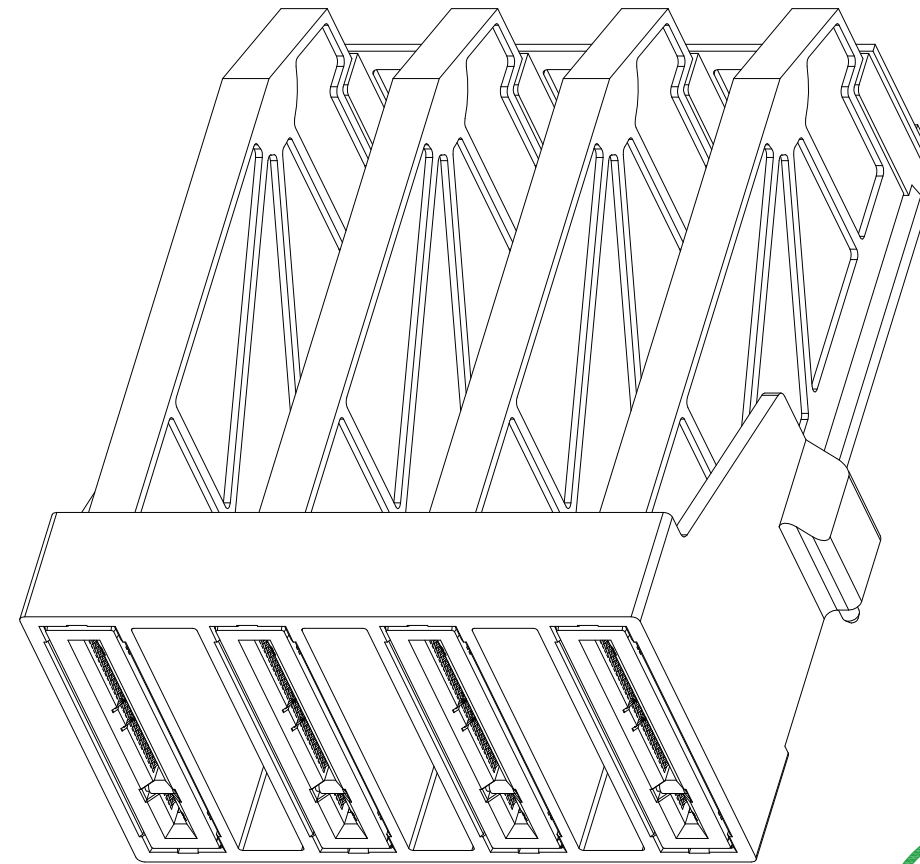
SYM	ECN	DESCRIPTION	DATE	APPROVED
1	CDXXXX	PRELIMINARY PROPOSAL	Mar.30,2017	YH
2	CDXXXX	UPDATE PITCH TO 11.00, ADD PIN DEFINITIONS	Mar.30,2017	YH
3	CDXXXX	UPDATE P/N & PIN DEFINITIONS	Apr.6,2017	YH
4	CDXXXX	ADD THE GRID OF THE METAL FRAMEWORK & UPDATE LAYOUT	Apr.16,2017	YH
5	CDXXXX	UPDATE P/N SYSTEM	Aug.11,2017	YH
5	CD1142	OFFICIAL RELEASE	Aug.11,2017	YH
6	CDXXXX	UPDATE TITLE TO ADD MICRO COOL EDGE	Jul.10,2018	YH

NOTE:

- MATERIAL:**
 PLASTIC: LCP, UL 94V-0, BLACK
 CONTACT: COPPER ALLOY
 KEY METAL: STAINLESS STEEL
 METAL FRAMEWORK: ZN ALLOY
- FINISHED:**
 CONTACT AREA: 30u" MIN Au PLATED
 PRESS-FIT TAIL: 20u" MIN MATTE PURE TIN
 UNDERPLATED: NI PLATING 1.27um MIN
- ELECTRICAL PERFORMANCE:**
 3.1 INSULATION RESISTANCE: 500MΩ MIN
 3.2 OPERATION TEMPERATURE: -40°C TO +85°C
- DIMENSIONING SHALL BE INTERPRETED PER ASME Y14.5M 1994**
- MATERIAL SHOULD BE FULFILLED AMPHENOL SPEC# S-SN-002 FOR HALOGEN FREE PRODUCTS, ALSO NEED TO MEET # S-SN-004**

ORDER P/N SYSTEM:

MD3674M23100312



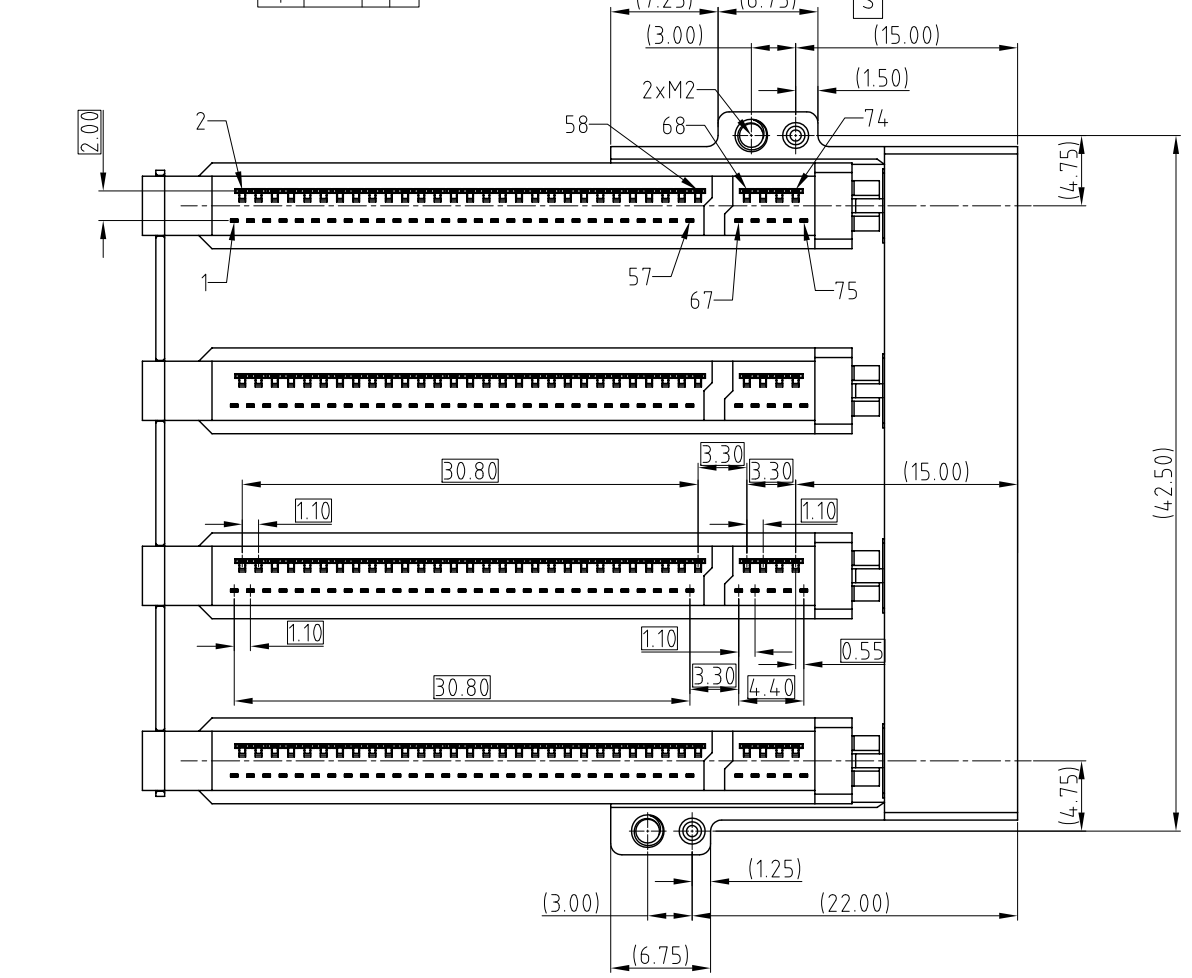
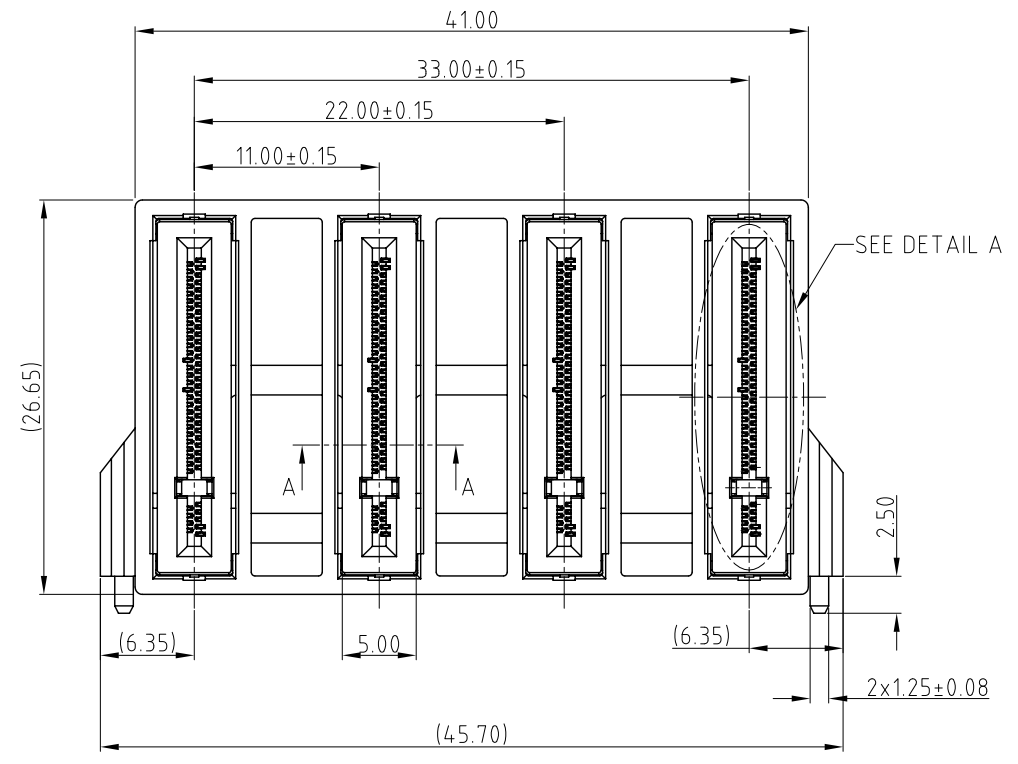
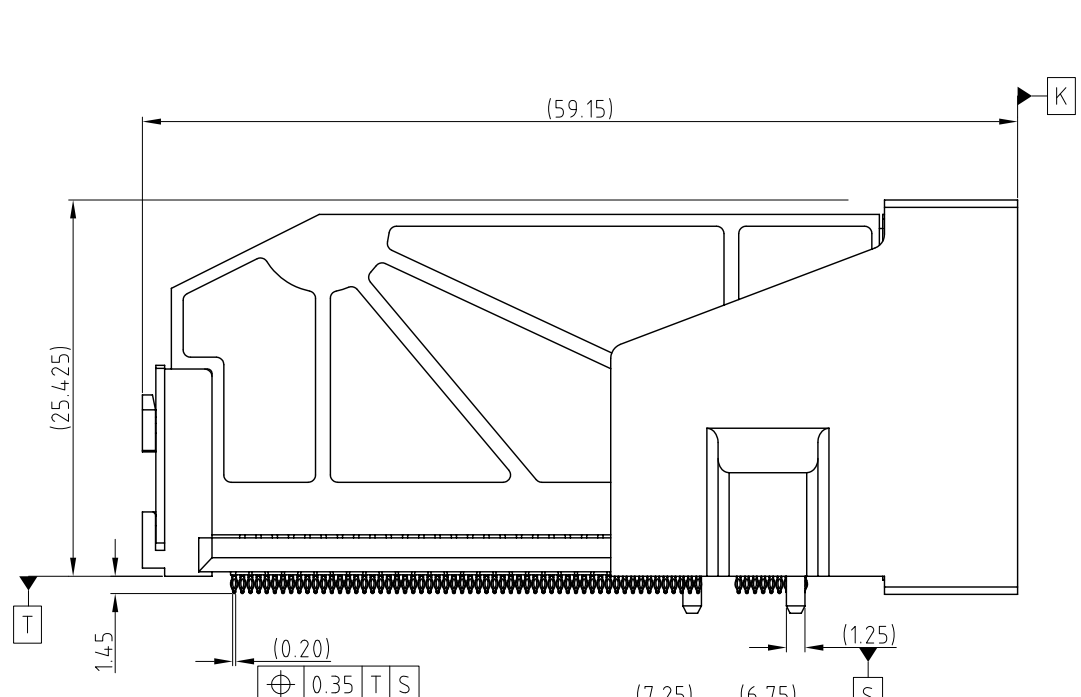
UNLESS OTHERWISE SPECIFIED TOLERANCES U.S. METRIC .X +/- 0.50 .XX +/- 0.25 .XXX +/- FRACTIONS +/- ANGLES +/- 5° FOR MATERIALS AND FINISHES SEE NOTES REMOVE SHARP EDGES DIMENSIONS U.S. INCHES (METRIC) (MM)	APPROVAL		DATE
	DRAWN	Yunx.liu	Jul.10,2018
	CHECKED	Ly.yi	Jul.10,2018
	APPROVED		
DRAWING FILE :		DRAWING\MDT\CMD3674M23100312	
ANGLE OF PROJECTION			

Amphenol		
TITLE		
MICRO COOL EDGE		
268PIN ORTHOGONAL NF1/NGSFF 0.5mm PITCH CONNECTOR		
SIZE	DRAWING NO.	REV.
A3	C MD3674M23100312	6
SCALE	NONE	SHEET 1 OF 4

This document is the property of Amphenol Corporation and is delivered on the express condition that it is not to be disclosed, reproduced or used, in whole or in part, for manufacture or sale by anyone other than Amphenol Corporation without its prior consent, & that no right is granted to disclose or to use any information in this document.

CUSTOMER DRAWING

REVISIONS				
SYM	ECN	DESCRIPTION	DATE	APPROVED
		SEE SHEET 1		



UNLESS OTHERWISE SPECIFIED TOLERANCES U.S. METRIC .X +/- 0.50 .XX +/- 0.25 .XXX +/- FRACTIONS +/- ANGLES +/- 5° FOR MATERIALS AND FINISHES SEE NOTES REMOVE SHARP EDGES DIMENSIONS U.S. INCHES (METRIC) (MM)	APPROVAL		DATE
	DRAWN	Yunx.liu	Jul.10,2018
	CHECKED	Ly.yi	Jul.10,2018
	APPROVED		
DRAWING FILE :		DRAWING\MDT\CMD3674M23100312	
ANGLE OF PROJECTION			

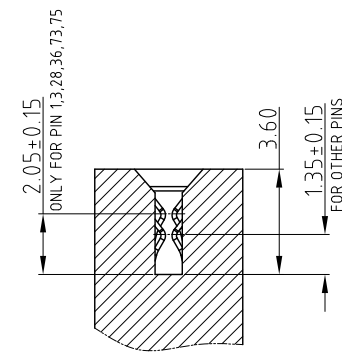
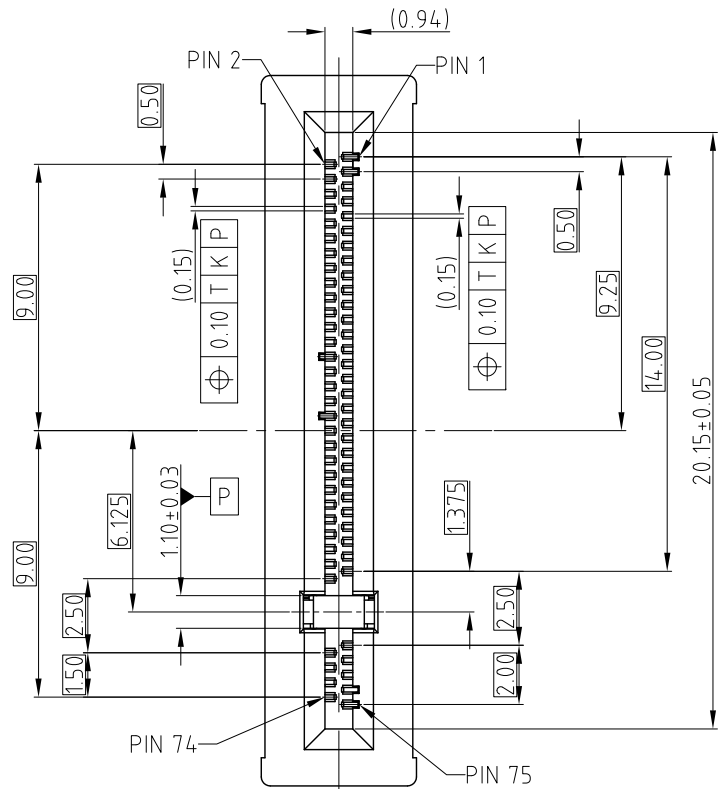
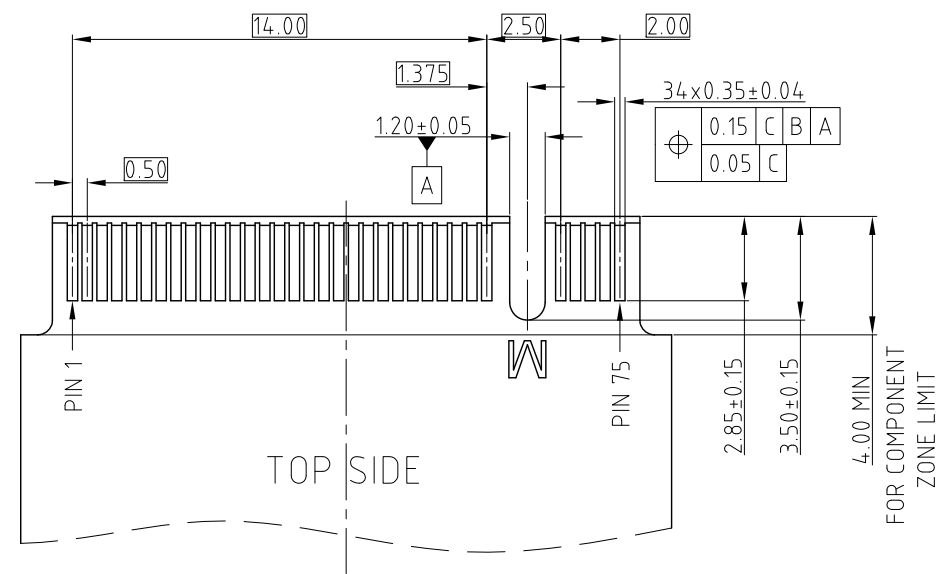
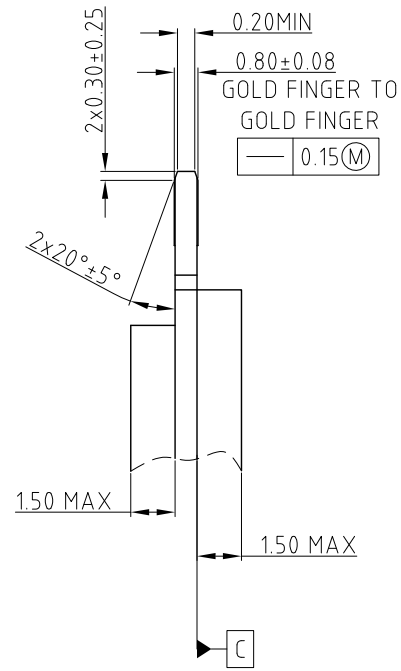
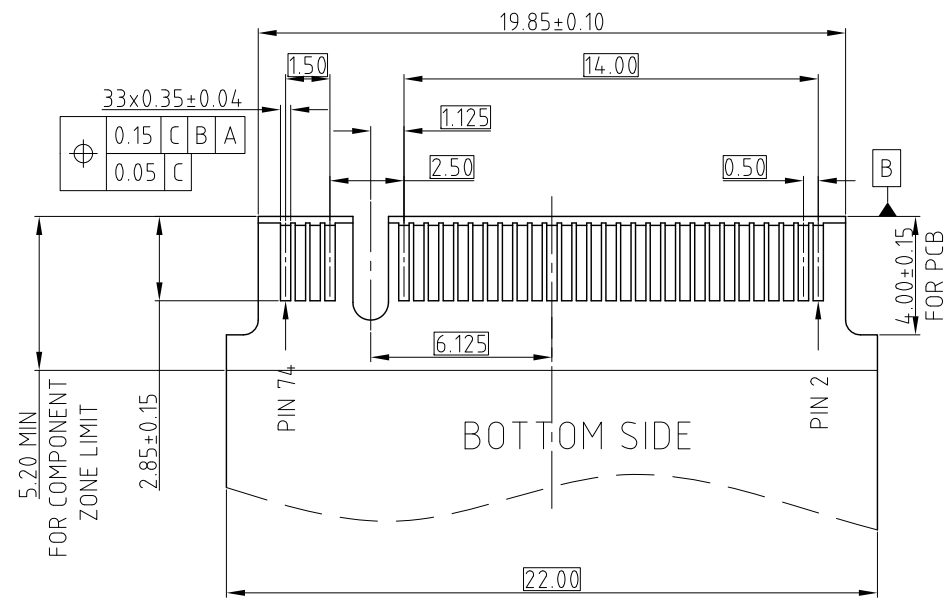
Amphenol		
TITLE MICRO COOL EDGE		
268PIN ORTHOGONAL NF1/NGSFF 0.5mm PITCH CONNECTOR		
SIZE	DRAWING NO.	REV.
A3	C MD3674M23100312	6
SCALE	NONE	SHEET 2 OF 4

This document is the property of Amphenol Corporation and is delivered on the express condition that it is not to be disclosed, reproduced or used, in whole or in part, for manufacture or sale by anyone other than Amphenol Corporation without its prior consent, & that no right is granted to disclose or to use any information in this document.

CUSTOMER DRAWING

REVISIONS				
SYM	ECN	DESCRIPTION	DATE	APPROVED
		SEE SHEET 1		

MODULE CARD



SECTION A-A

DETAIL A

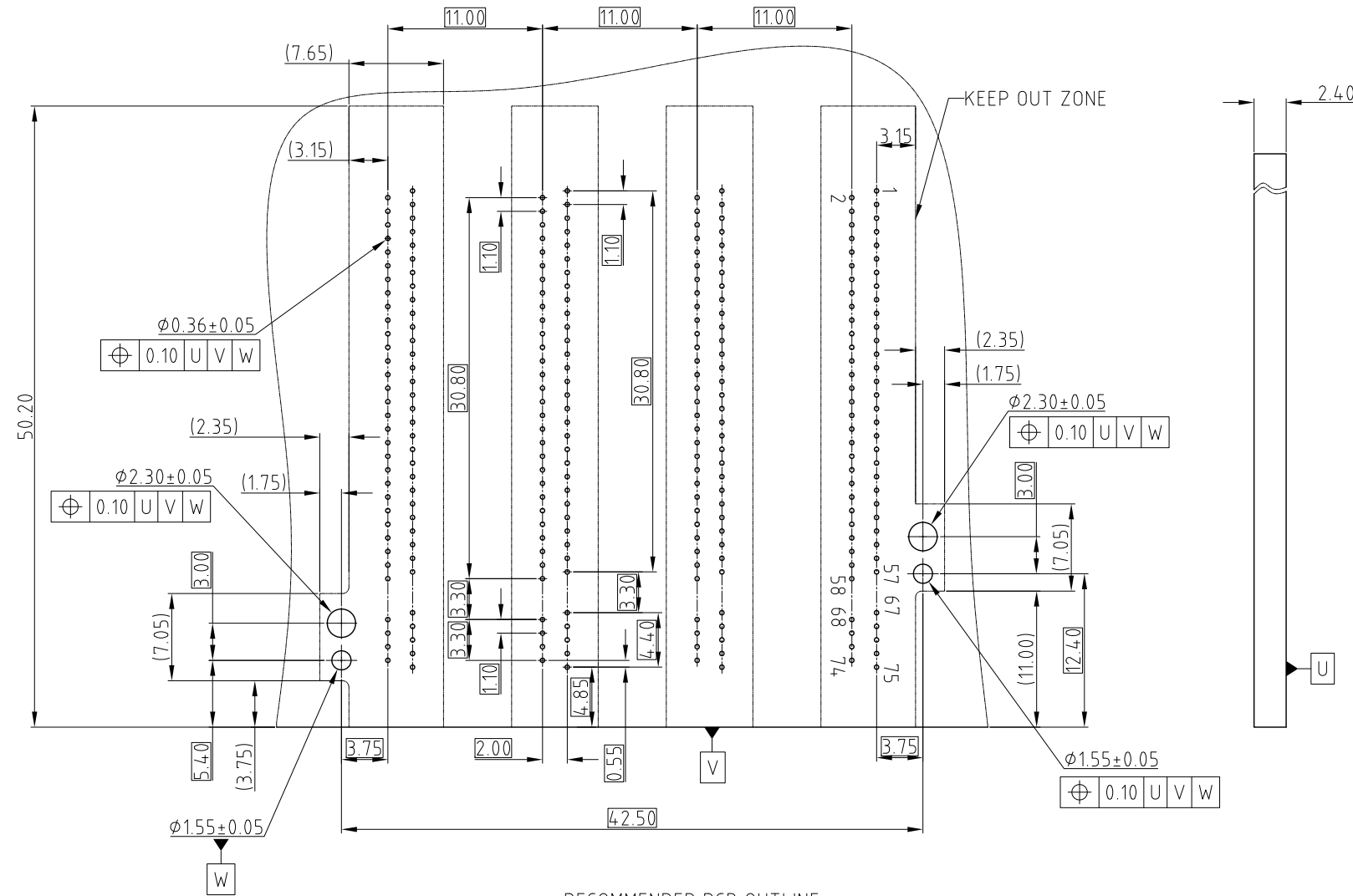
UNLESS OTHERWISE SPECIFIED TOLERANCES		APPROVAL	DATE
.X	+/-	DRAWN Yunx.liu	Jul.10,2018
.XX	+/-	CHECKED Ly.yi	Jul.10,2018
.XXX	+/-	APPROVED	
FRACTIONS	+/-	DRAWING FILE :	
ANGLES	+/-	DRAWING\MDT\CMD3674M23100312	
FOR MATERIALS AND FINISHES SEE NOTES		ANGLE OF PROJECTION	
REMOVE SHARP EDGES			
DIMENSIONS			
— U.S. —	— INCHES —		
(METRIC)	(MM)		

Amphenol		
TITLE MICRO COOL EDGE		
268PIN ORTHOGONAL NF1/NGSFF 0.5mm PITCH CONNECTOR		
SIZE	DRAWING NO.	REV.
A3	C MD3674M23100312	6
SCALE	NONE	SHEET 3 OF 4

This document is the property of Amphenol Corporation and is delivered on the express condition that it is not to be disclosed, reproduced or used, in whole or in part, for manufacture or sale by anyone other than Amphenol Corporation without its prior consent, & that no right is granted to disclose or to use any information in this document.

CUSTOMER DRAWING

REVISIONS				
SYM	ECN	DESCRIPTION	DATE	APPROVED
		SEE SHEET 1		



RECOMMENDED PCB OUTLINE TOLERANCE: ±0.05

Foot Print Pin Number	Interface Pin Number	M.3 Socket 3 PCIe (m-Key, 2Port x2Lane)		Interface Pin Number	Foot Print Pin Number
74	74	74	N/C	75	75
72	72	72	N/C	73	73
70	70	70	N/C	71	71
68	68	68	SUSCLK(32KHz)	PEDET(NC-PCIe)	69
66(Blank)	66(Blank)	66	Module Key M	PRST1#	67
64(Blank)	64(Blank)	64	Module Key M	Module Key M	65
62(Blank)	62(Blank)	62	Module Key M	Module Key M	63
60(Blank)	60(Blank)	60	Module Key M	Module Key M	61
58	58	58	Reserved MFG_CLOCK	Module Key M	59
56	56	56	Reserved MFG_DATA	GND	57
54	54	54	REWAKE#	REFCLKp	55
52	52	52	CLKREQ#	REFCLKn	53
50	50	50	PERST#0	GND	51
48	48	48	N/C	PERp0	49
46	46	46	N/C	PERr0	47
44	44	44	ALERT#(O)(0/3.3V)	GND	45
42	42	42	SMB_DATA(I/O)(0/3.3V)	PETp0	43
40	40	40	SMB_CLK(I/O)(0/3.3V)	PETn0	41
38	38	38	N/C	GND	39
36	36	36	12V (Pre-Charge)	PERp1	37
34	34	34	12V	PERr1	35
32	32	32	12V	GND	33
30	30	30	12V	PETp1	31
28	28	28	PWDIS	PETn1	29
26	26	26	GND	GND	27
24	24	24	N/C	PERp2	25
22	22	22	N/C	PERr2	23
20	20	20	GND	GND	21
18	18	18	N/C	PETp2	19
16	16	16	N/C	PETn2	17
14	14	14	N/C	GND	15
12	12	12	3.3Vaux	PERp3	13
10	10	10	LED1#	PERr3	11
8	8	8	N/C	GND	9
6	6	6	PRST2#	PETp3	7
4	4	4	N/C	PETn3	5
2	2	2	N/C	GND	3
				GND	1

PLATING TYPE	COPPER OSP
DRILL HOLE ϕ	0.40 - 0.46
Cu PLATING NOTE 1	0.025-0.045
FINISH HOLE	0.31 - 0.41



UNLESS OTHERWISE SPECIFIED TOLERANCES		APPROVAL	DATE
.X	+/-	DRAWN	Yunx.liu
.XX	+/-	CHECKED	Ly.yi
.XXX	+/-	APPROVED	
FRACTIONS	+/-	DRAWING FILE : DRAWING\MDT\CMD3674M23100312	
ANGLES	+/-	ANGLE OF PROJECTION	
REMOVE SHARP EDGES			
DIMENSIONS			
— U.S. —	— INCHES —		
(METRIC)	(MM)		

Amphenol		
TITLE		
MICRO COOL EDGE		
268PIN ORTHOGONAL NF1/NGSFF 0.5mm PITCH CONNECTOR		
SIZE	DRAWING NO.	REV.
A3	C MD3674M23100312	6
SCALE	NONE	SHEET 4 OF 4