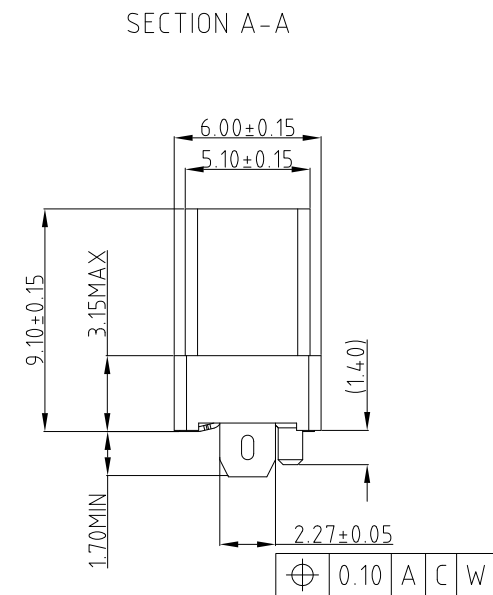
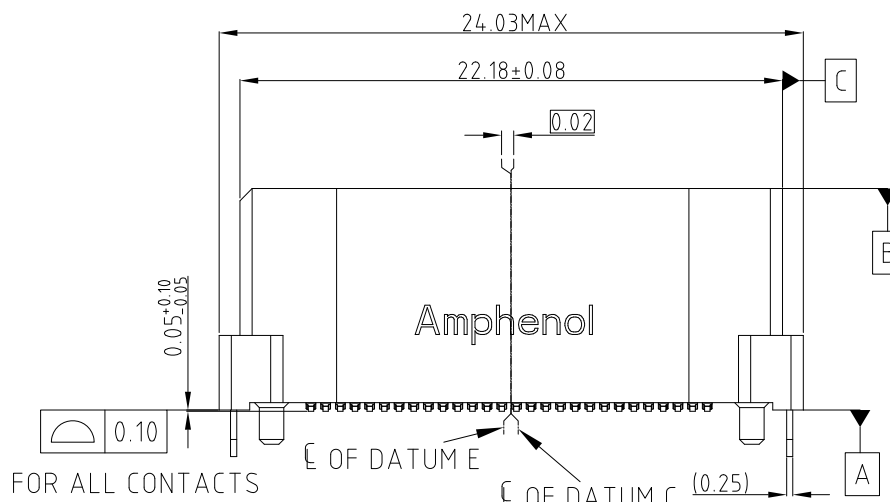
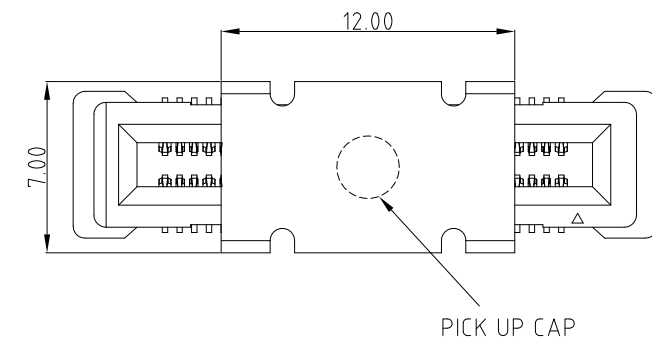
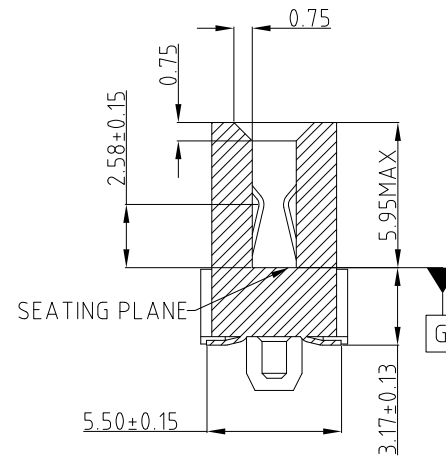
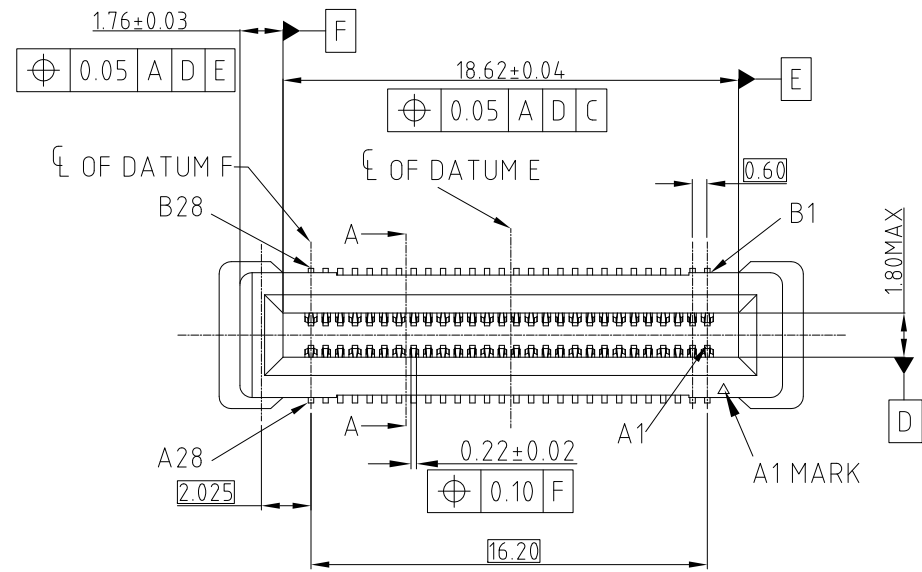


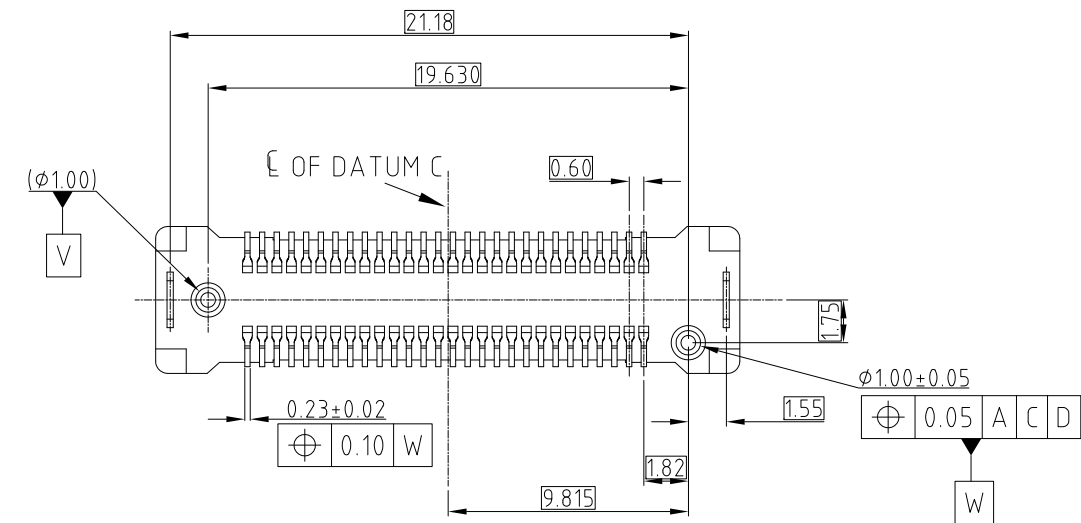
This document is the property of Amphenol Corporation and is delivered on the express condition that it is not to be disclosed, reproduced or used, in whole or in part, for manufacture or sale by anyone other than Amphenol Corporation without its prior consent, & that no right is granted to disclose or to use any information in this document.

CUSTOMER DRAWING

REVISIONS				
SYM	ECN	DESCRIPTION	DATE	APPROVED
4	N/A	PRELIMINARY PROPOSAL(FOLLOW GEN Z V0.9E)	Nov.10,2017	
5	N/A	ADD AIC CARD RECOMMEND SPECIFICATION	May.21,2018	
6	N/A	ADD PICK UP CAP	Aug.14,2018	



- NOTE:
- MATERIAL:
 - HOUSING: HIGH TEMPERATURE THERMOPLASTIC BLACK UL94-V0
 - CONTACT: COPPER ALLOY
 - BOARDLOCK: COPPER ALLOY
 - PLATING:
 - CONTACT: MATING AREA: SEE PLATING SEPC OVER 1.27-2.54 UM NICKEL UNDERPLATED
 - SOLDER AREA: 1.27 MIN TIN OVER 1.27-2.54 UM NICKEL UNDERPLATED
 - BOARDLOCK: 1.27 MIN TIN OVER 1.27-2.54UM NICKEL UNDERPLATED
 - ELECTRICAL PERFORMANCE:
 - RATED CURRENT FOR SIGNAL PIN: 1.1A/PIN UP TO 12PINS
 - LLCR:30mΩ
 - INSULATION RESISTANCE: 1000MΩ MIN
 - MECHANICAL PERFORMANCE
 - MATING FORCE:21N MAX.
 - UNMATING FORCE:6N MIN.
 - CONTACT RETENTION FORCE:1 N MIN.
 - DURABILITY:200 CYCLES.
 - THIS PRODUCT IS COMPLIANT TO HALOGEN FREE.
 - ORDERING PN:ME100561010101X
- PLATING SPEC
- 0.76um Au
 - 0.38um Au
 - GOLD FLASH
 - PdNi 0.76um +GF



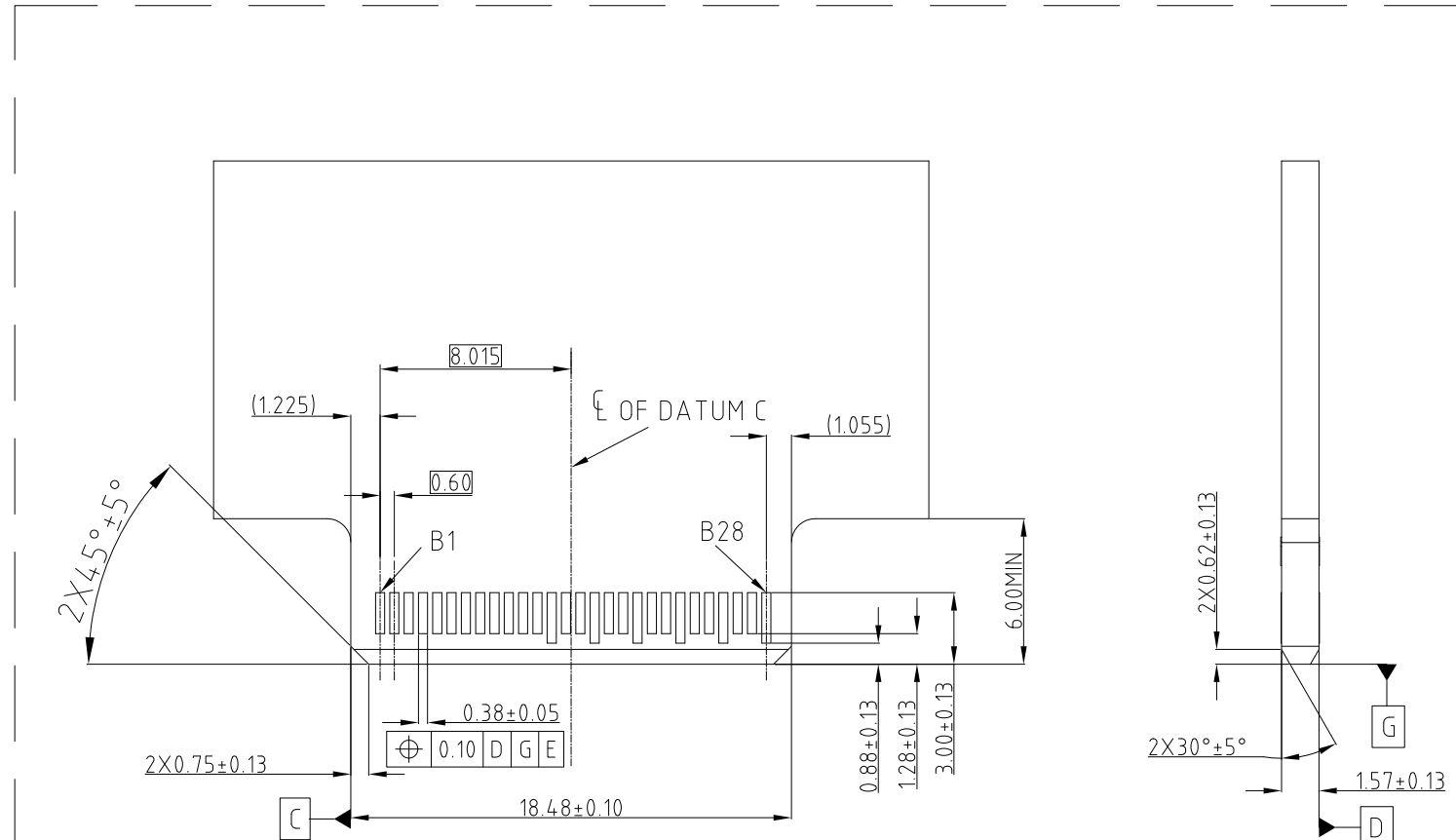
PROPOSAL DRAWING

UNLESS OTHERWISE SPECIFIED TOLERANCES	U.S.	METRIC	APPROVAL	DATE	Amphenol		
	.X +/-	0.25				DRAWN Rocky	Aug.14,2018
	.XX +/-	0.20				CHECKED	
	.XXX +/-	0.15	APPROVED				
FRACTIONS +/-	5°		DRAWING FILE :				
ANGLES +/-			INTERNAL\DRAWING\CE\ C ME100561010101X				
FOR MATERIALS AND FINISHES SEE NOTES			ANGLE OF PROJECTION				
REMOVE SHARP EDGES							
DIMENSIONS			TITLE				
—U.S.—	INCHES		Mini Cool Edge 56pin V/T				
(METRIC)	(mm)		0.6mm pitch connector				
SIZE		DRAWING NO.	REV.				
A3		C ME100561010101X	6				
SCALE		NONE	SHEET 1 OF 2				

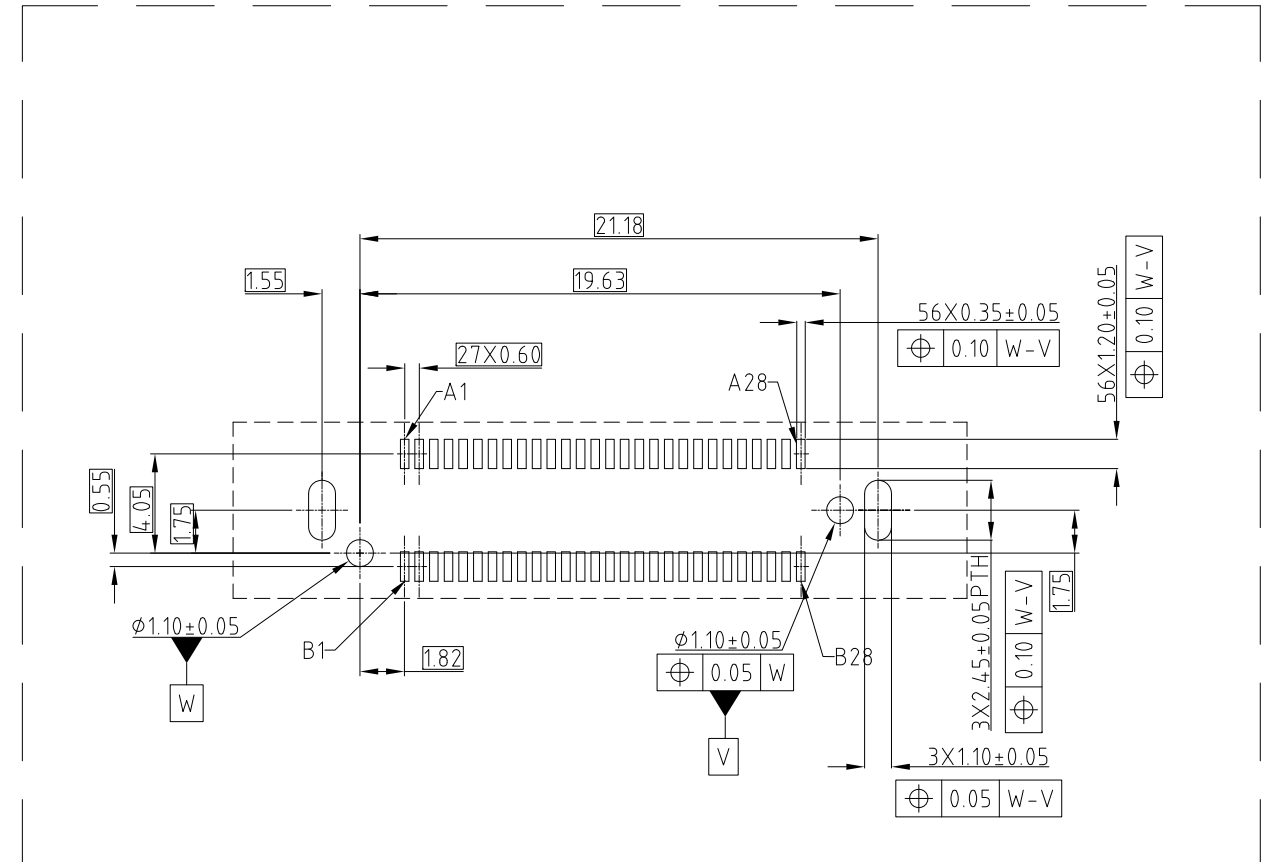
This document is the property of Amphenol Corporation and is delivered on the express condition that it is not to be disclosed, reproduced or used, in whole or in part, for manufacture or sale by anyone other than Amphenol Corporation without its prior consent, & that no right is granted to disclose or to use any information in this document.

CUSTOMER DRAWING

REVISIONS				
SYM	ECN	DESCRIPTION	DATE	APPROVED



NOTE: POSITION A1 ON OPPOSITE SIDE OF CARD OF B1
RECOMMENDED AIC MATING CARD



RECOMMENDED PCB LAYOUT

PROPOSAL DRAWING

UNLESS OTHERWISE SPECIFIED TOLERANCES U.S. METRIC .X +/- 0.25 .XX +/- 0.20 .XXX +/- 0.15 FRACTIONS +/- 5° ANGLES +/- FOR MATERIALS AND FINISHES SEE NOTES REMOVE SHARP EDGES DIMENSIONS —U.S.— INCHES (METRIC) (mm)	APPROVAL DRAWN Rocky CHECKED APPROVED	DATE Aug.14,2018	Amphenol TITLE Mini Cool Edge 56pin V/T 0.6mm pitch connector SIZE DRAWING NO. REV. A3 C ME100561010101X 6 SCALE NONE SHEET 2 OF 2
	DRAWING FILE : INTERNAL\DRAWING\CE\ C ME100561010101X		
	ANGLE OF PROJECTION 		
	REMOVE SHARP EDGES		

