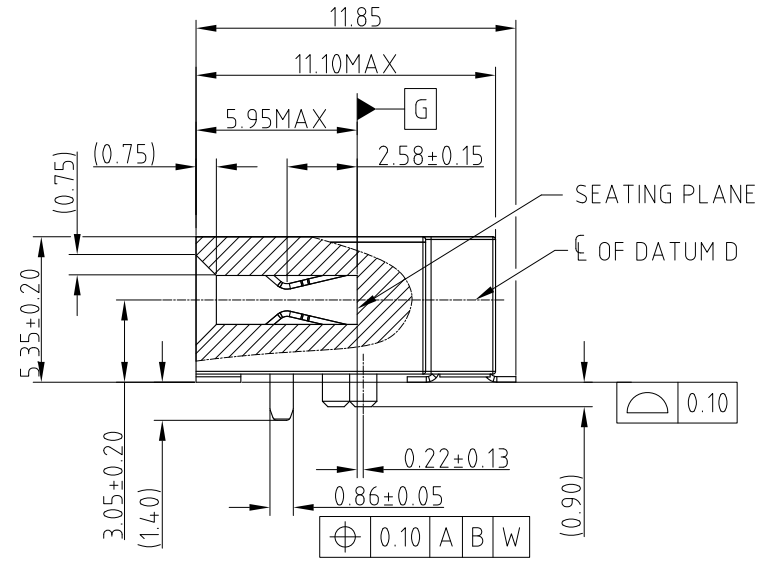
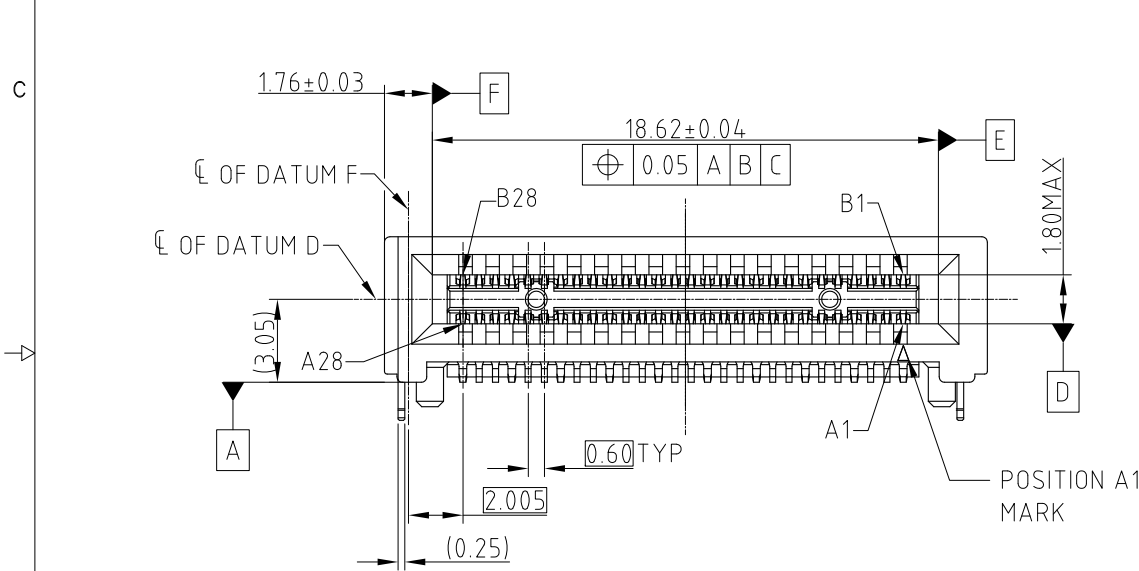
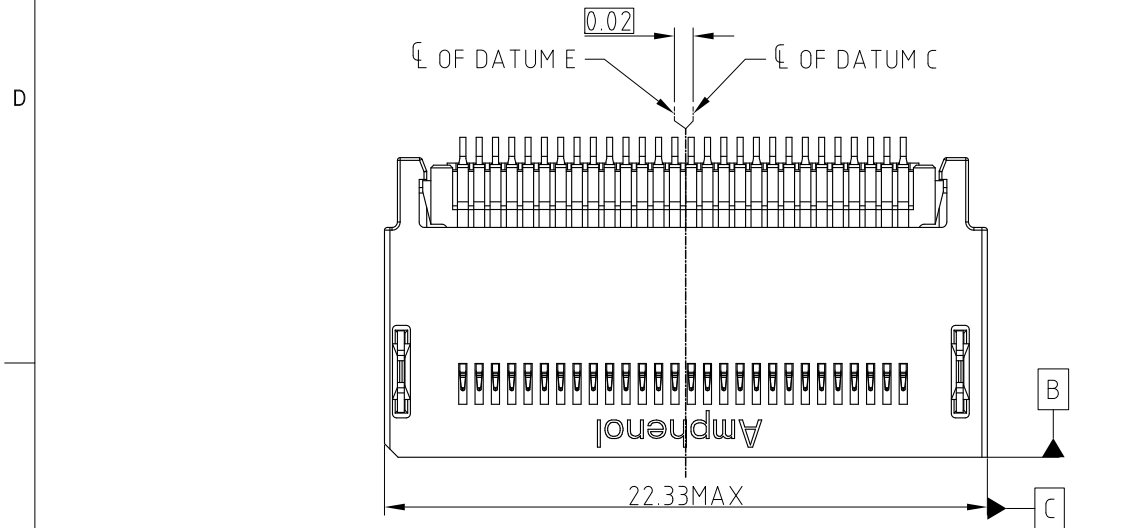


This document is the property of Amphenol Corporation and is delivered on the express condition that it is not to be disclosed, reproduced or used, in whole or in part, for manufacture or sale by anyone other than Amphenol Corporation without its prior consent, & that no right is granted to disclose or to use any information in this document.

CUSTOMER DRAWING

REVISIONS

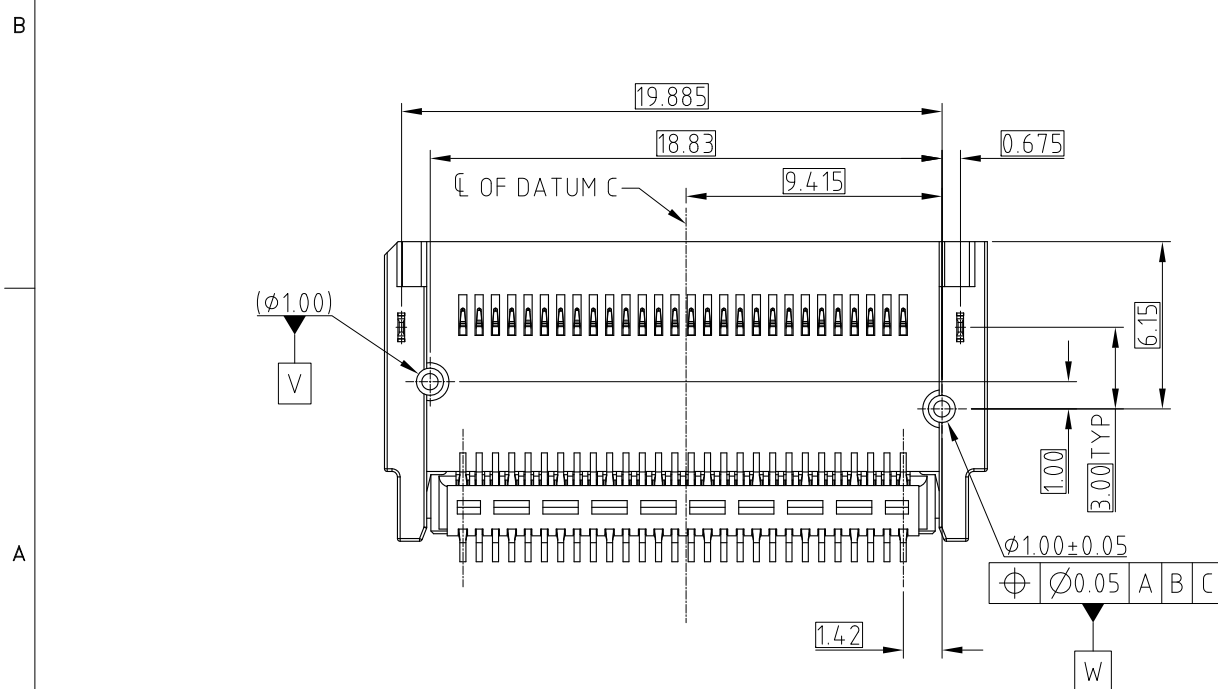
SYM	ECN	DESCRIPTION	DATE	APPROVED
4	CDXXXX	PRELIMINARY PROPOSAL(FOLLOW GEN Z V0.9E)	Nov.10,2017	YH
5	CDXXXX	ADD AIC MATING CARD SPECIFICATION	May.21,2018	YH
6	CDXXXX	REVISE THE BOARD LOCK LENGTH	Jul.04,2018	YH
7	CDXXXX	UPDATED BY SFF TA 1002 REV 1.1.2	Oct.12,2018	YH
8	CDXXXX	UPDATED BY SFF TA 1002 REV 1.1.3	Nov.08,2018	YH



NOTE:

- MATERIAL:**
HOUSING: HIGH TEMPERATURE THERMOPLASTIC BLACK UL94-V0
CONTACT: COPPER ALLOY
BOARD LOCK: COPPER ALLOY
- PLATING:**
CONTACT: MATING AREA: Au THICKNESS PLEASE REFER TO PN SYSTEM, 1.27-2.54 μm NICKEL UNDERPLATED
SOLDER AREA: 1.27 μm MIN TIN OVER 1.27-2.54 μm NICKEL UNDERPLATED
BOARD LOCK: 1.27 MIN TIN OVER 1.27-2.54UM NICKEL UNDERPLATED
- ELECTRICAL PERFORMANCE:**
RATED CURRENT: 1.1A/PIN UP TO 12PINS
LLCR:30mΩ MAX, DELTA 15 mΩ.
INSULATION RESISTANCE: 1000MΩ MIN
- DURABILITY:**200 CYCLES.
- MATERIAL SHOULD BE FULFILLED AMPHENOL SPEC# S-SN-002 AND S-SN-004**
- ORDERING PN SYSTEM :** ME100561020101X

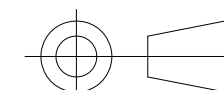
- PLATING SPEC
- 0.76um Au
 - 0.38um Au
 - GOLD FLASH
 - PdNi0.76um+GF



PROPOSAL DRAWING

UNLESS OTHERWISE SPECIFIED TOLERANCES		APPROVAL		DATE	
	U.S.	METRIC	DRAWN	Rocky	Nov.08,2018
.X	+/-	0.25	CHECKED	Ly.Yi	Nov.08,2018
.XX	+/-	0.20	APPROVED		
.XXX	+/-	0.15	DRAWING FILE :		
FRACTIONS	+/-	5°	INTERNAL\DRAWING\ME\C ME100561020101X		
ANGLES	+/-		ANGLE OF PROJECTION		
FOR MATERIALS AND FINISHES SEE NOTES		REMOVE SHARP EDGES			
DIMENSIONS		—U.S.— INCHES			
(METRIC)		(mm)			

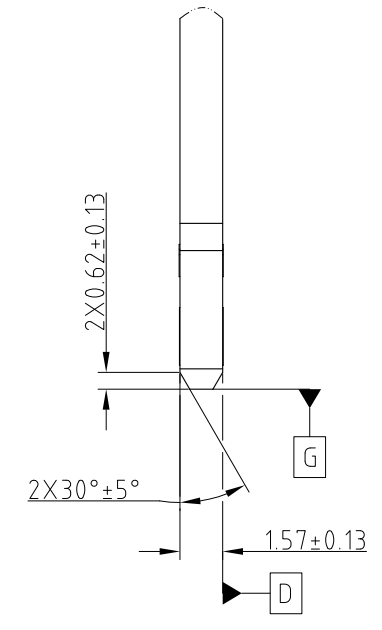
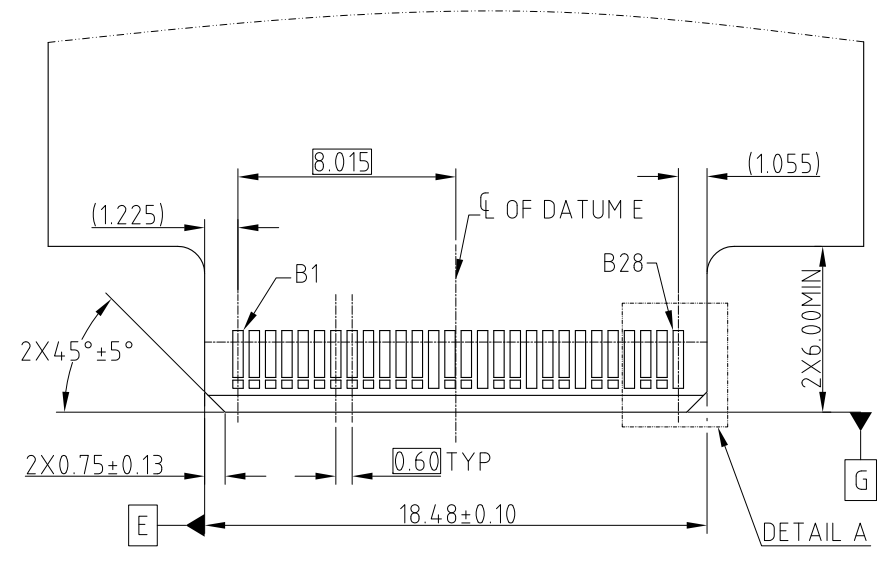
Amphenol		
TITLE MINI COOL EDGE CONNECTOR 56P R/A 0.6MM PITCH 3.05		
SIZE	DRAWING NO.	REV.
A3	C ME100561020101X	8
SCALE	NONE	SHEET 1 OF 2



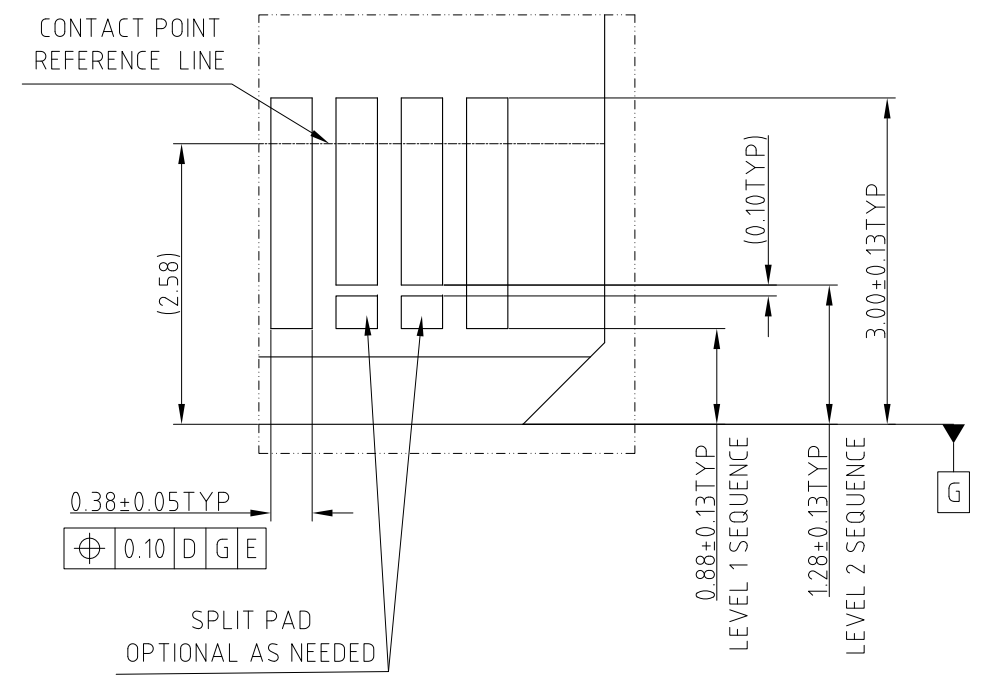
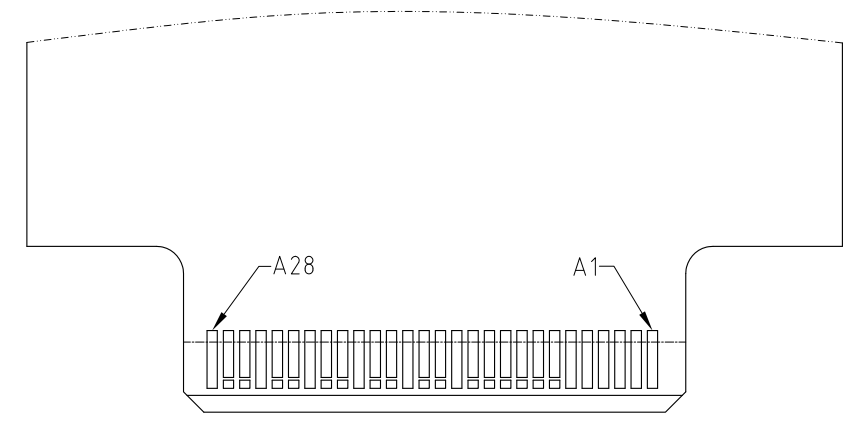
This document is the property of Amphenol Corporation and is delivered on the express condition that it is not to be disclosed, reproduced or used, in whole or in part, for manufacture or sale by anyone other than Amphenol Corporation without its prior consent, & that no right is granted to disclose or to use any information in this document.

CUSTOMER DRAWING

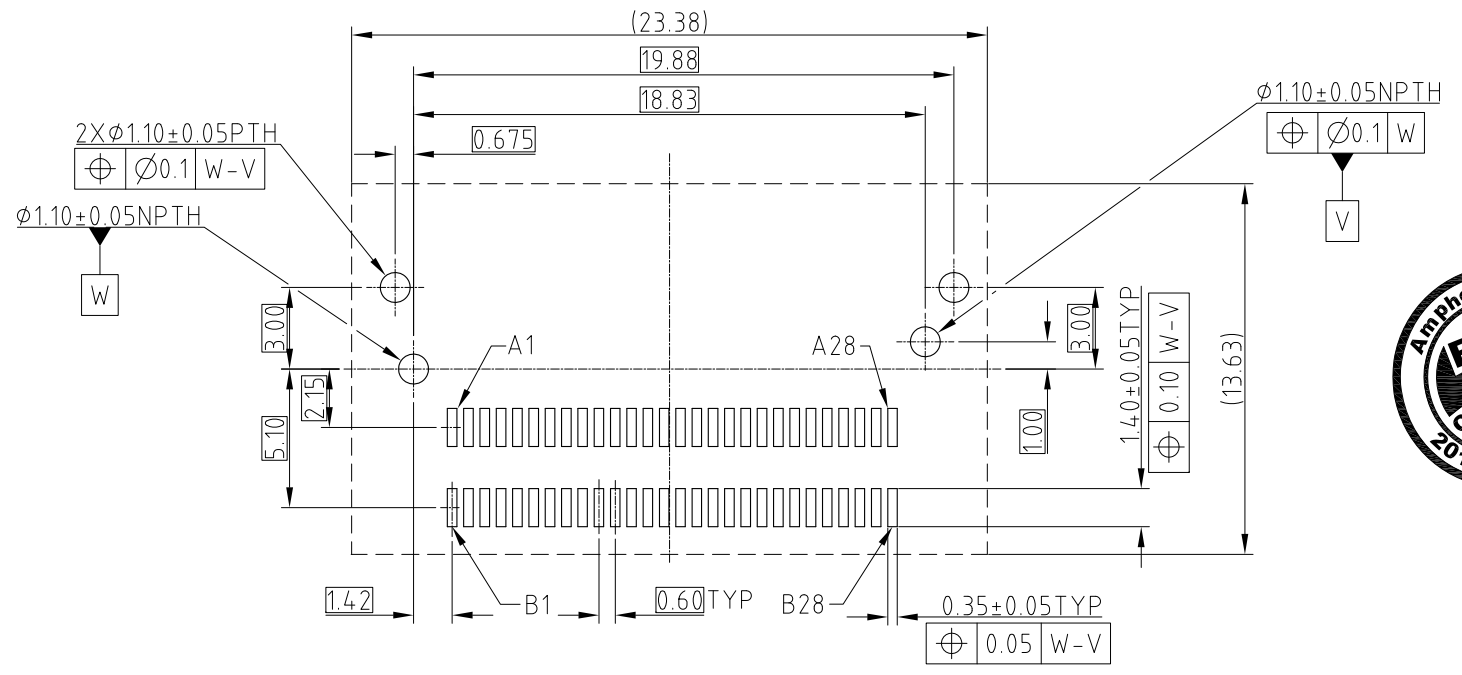
REVISIONS				
SYM	ECN	DESCRIPTION	DATE	APPROVED
		SEE SHEET 1		



RECOMMENDED AIC MATING CARD



DETAIL A SCALE 4:1



RECOMMENDED FOOTPRINT



PROPOSAL DRAWING

UNLESS OTHERWISE SPECIFIED TOLERANCES U.S. METRIC .X +/- 0.25 .XX +/- 0.20 .XXX +/- 0.15 FRACTIONS +/- 5° ANGLES +/- FOR MATERIALS AND FINISHES SEE NOTES REMOVE SHARP EDGES DIMENSIONS —U.S.— INCHES (METRIC) (mm)	APPROVAL DRAWN Rocky CHECKED Ly.Yi APPROVED	DATE Nov.08,2018 Nov.08,2018
	DRAWING FILE : INTERNAL\DRAWING\ME\C ME100561020101X	
	ANGLE OF PROJECTION 	

Amphenol		
TITLE MINI COOL EDGE CONNECTOR 56P R/A 0.6MM PITCH 3.05		
SIZE A3	DRAWING NO. C ME100561020101X	REV. 8
SCALE NONE	SHEET 2 OF 2	