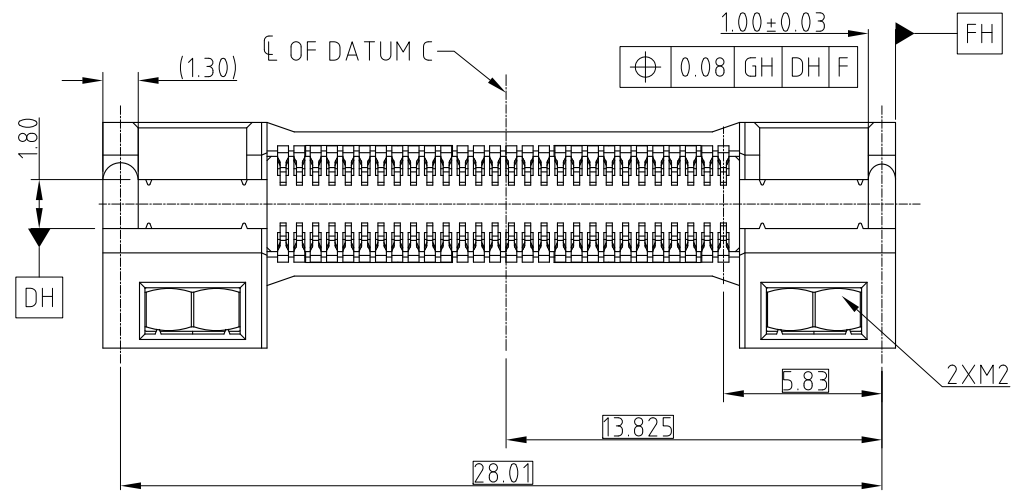
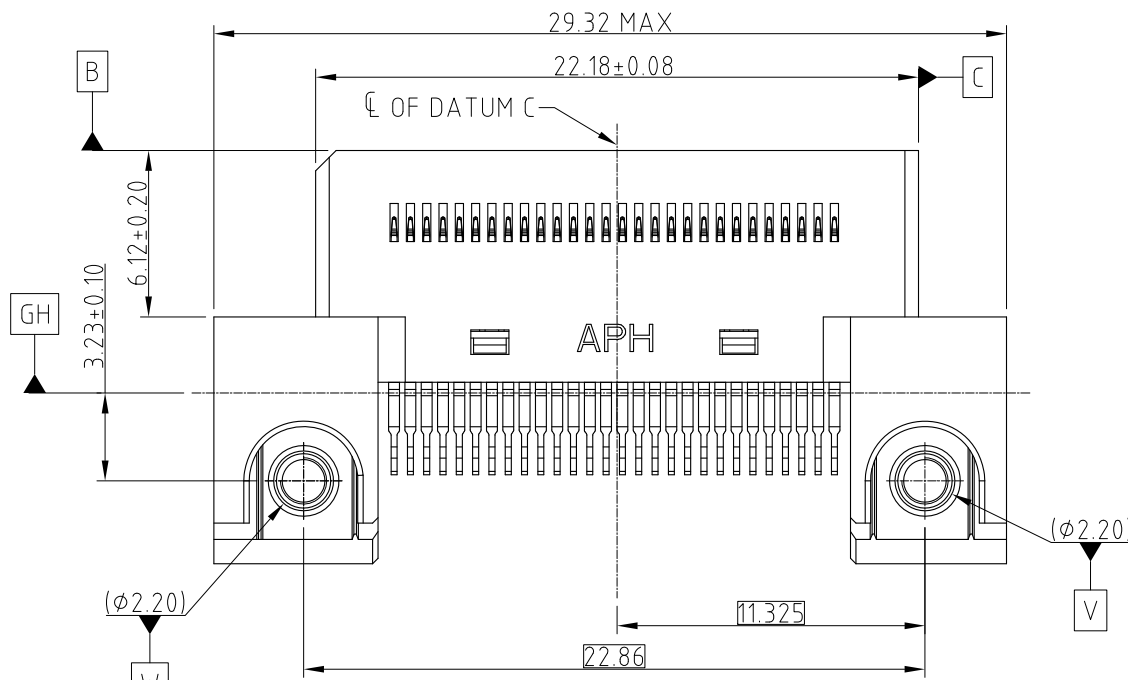
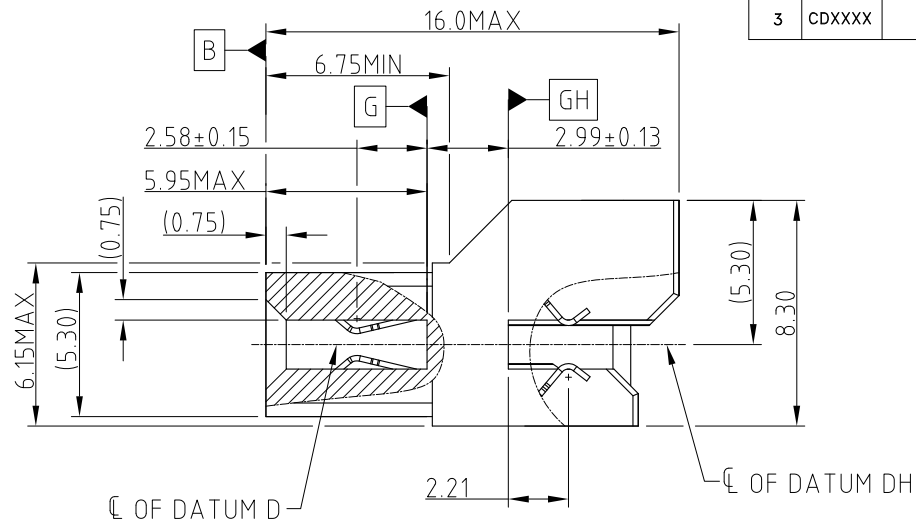
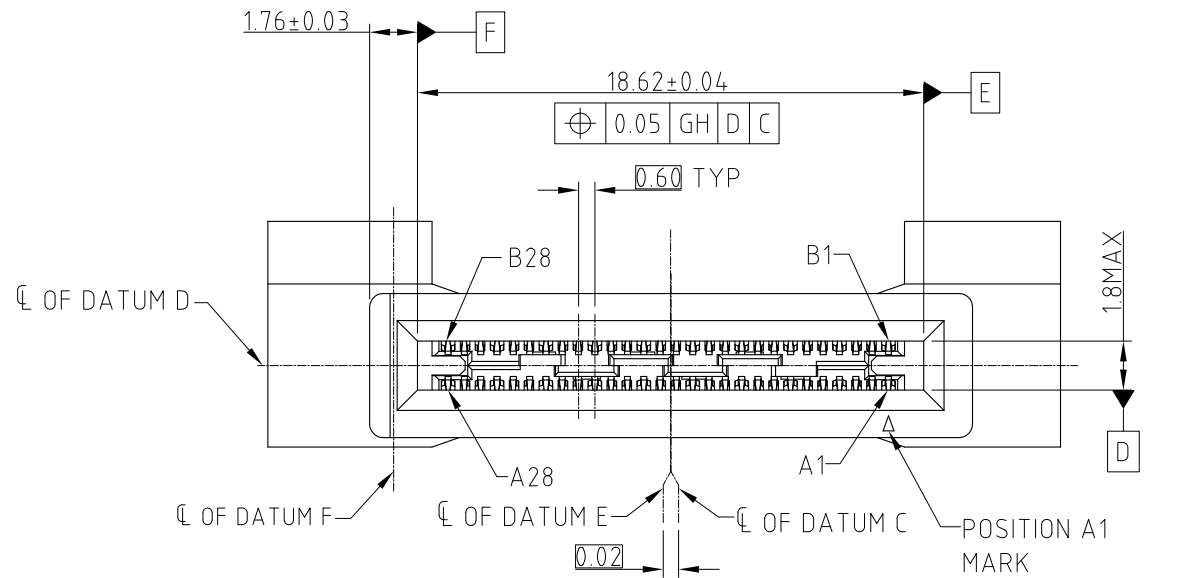


This document is the property of Amphenol Corporation and is delivered on the express condition that it is not to be disclosed, reproduced or used, in whole or in part, for manufacture or sale by anyone other than Amphenol Corporation without its prior consent, & that no right is granted to disclose or to use any information in this document.

# CUSTOMER DRAWING

REVISIONS				
SYM	ECN	DESCRIPTION	DATE	APPROVED
1	CDXXXX	PRELIMINARY PROPOSAL	Aug.16,2018	YH
2	CDXXXX	REMOVED PROPOSAL DRAWING	Aug.21,2018	YH
3	CDXXXX	UPDATED BY SFF TA 1002 REV 1.1.3	Nov.08,2018	YH



**NOTE:**

- MATERIAL:**  
HOUSING: HIGH TEMPERATURE THERMOPLASTIC BLACK UL94-V0  
CONTACT: COPPER ALLOY  
NUT: STAINLESS STEEL
- PLATING:**  
CONTACT: MATING AREA: Au THICKNESS PLEASE REFER TO P/N SYSTEM  
OVER 1.27-2.54 μm NICKEL UNDERPLATED  
SOLDER AREA: 1.27 μm MIN TIN OVER 1.27-2.54 μm NICKEL UNDERPLATED
- ELECTRICAL PERFORMANCE:**  
RATED CURRENT: 1.1A/PIN UP TO 12PINS  
LLCR: 30mΩ MAX, DELTA 15 mΩ.  
INSULATION RESISTANCE: 1000MΩ MIN
- DURABILITY:** 200 CYCLES.
- MATERIAL SHOULD BE FULFILLED AMPHENOL SPEC#S-SN-002 AND S-SN-004**
- ORDERING PN:** REFER TO THE PN SYSTEM: ME100561340110X

- PLATING SPEC
- 0.76um Au
  - 0.38um Au
  - GOLD FLASH
  - PdNi 0.76um+G/F

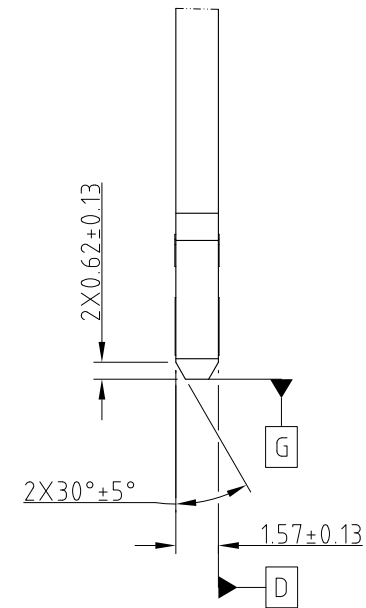
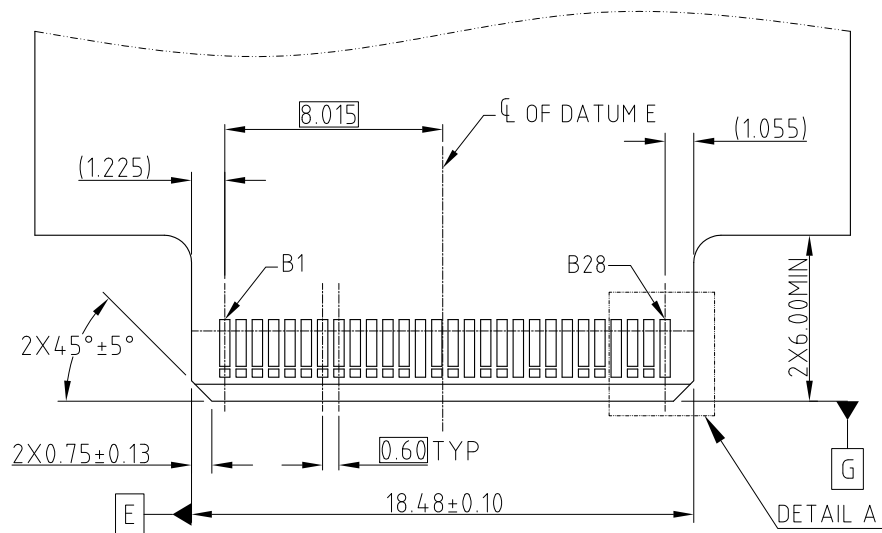
## PROPOSAL DRAWING

UNLESS OTHERWISE SPECIFIED TOLERANCES	APPROVAL	DATE	Amphenol
	DRAWN Teng.Cao	Nov.08,2018	
	CHECKED Ly.Yi	Nov.08,2018	
.X +/- 0.25	APPROVED		TITLE MINI COOL EDGE CONNECTOR 56P S/M MATE 1.57 HOST PCB
.XX +/- 0.20			
.XXX +/- 0.15			SIZE C ME100561340110X
FRACTIONS +/- 5°	DRAWING FILE :		REV. 3
ANGLES +/-	INTERNAL\DRAWING\ME\C ME100561340110X		SCALE NONE SHEET 1 OF 2
FOR MATERIALS AND FINISHES SEE NOTES	REMOVE SHARP EDGES	ANGLE OF PROJECTION	
DIMENSIONS			
—U.S.— INCHES			
(METRIC) (mm)			

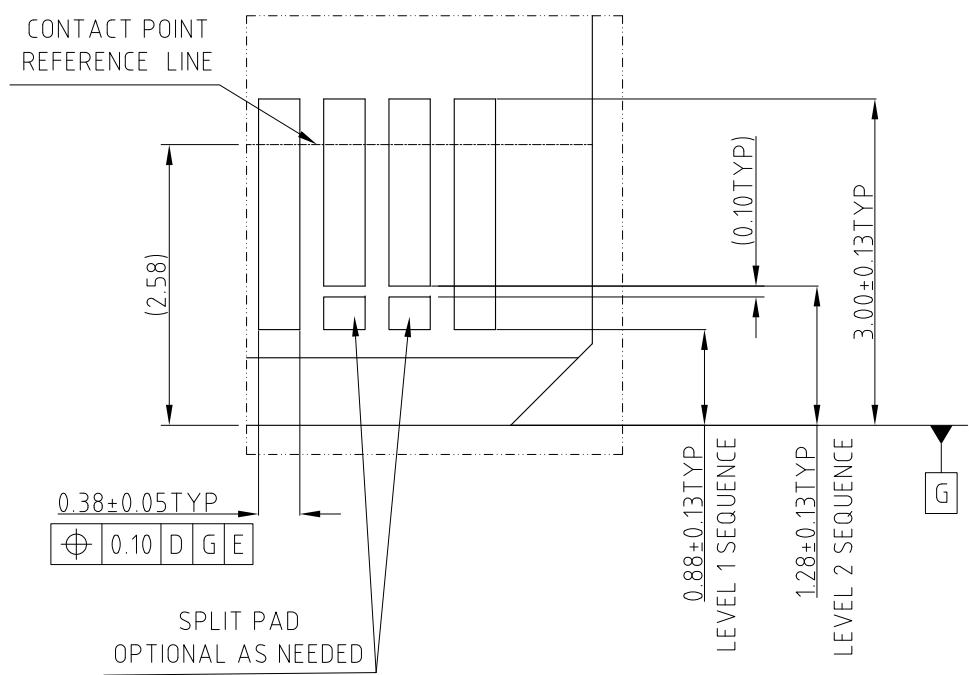
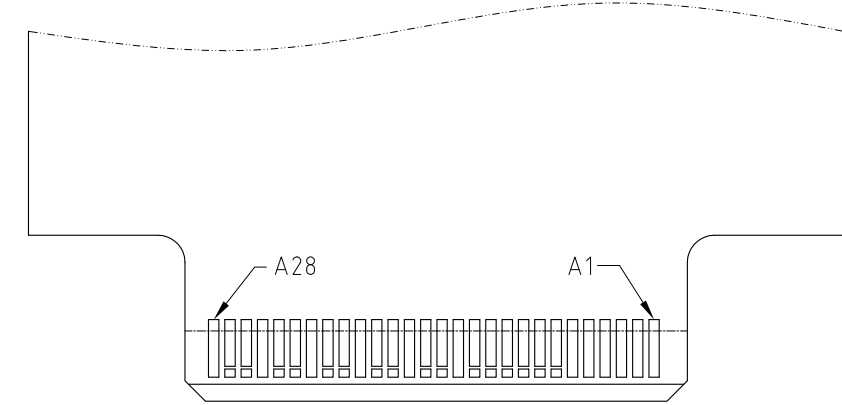
This document is the property of Amphenol Corporation and is delivered on the express condition that it is not to be disclosed, reproduced or used, in whole or in part, for manufacture or sale by anyone other than Amphenol Corporation without its prior consent, & that no right is granted to disclose or to use any information in this document.

# CUSTOMER DRAWING

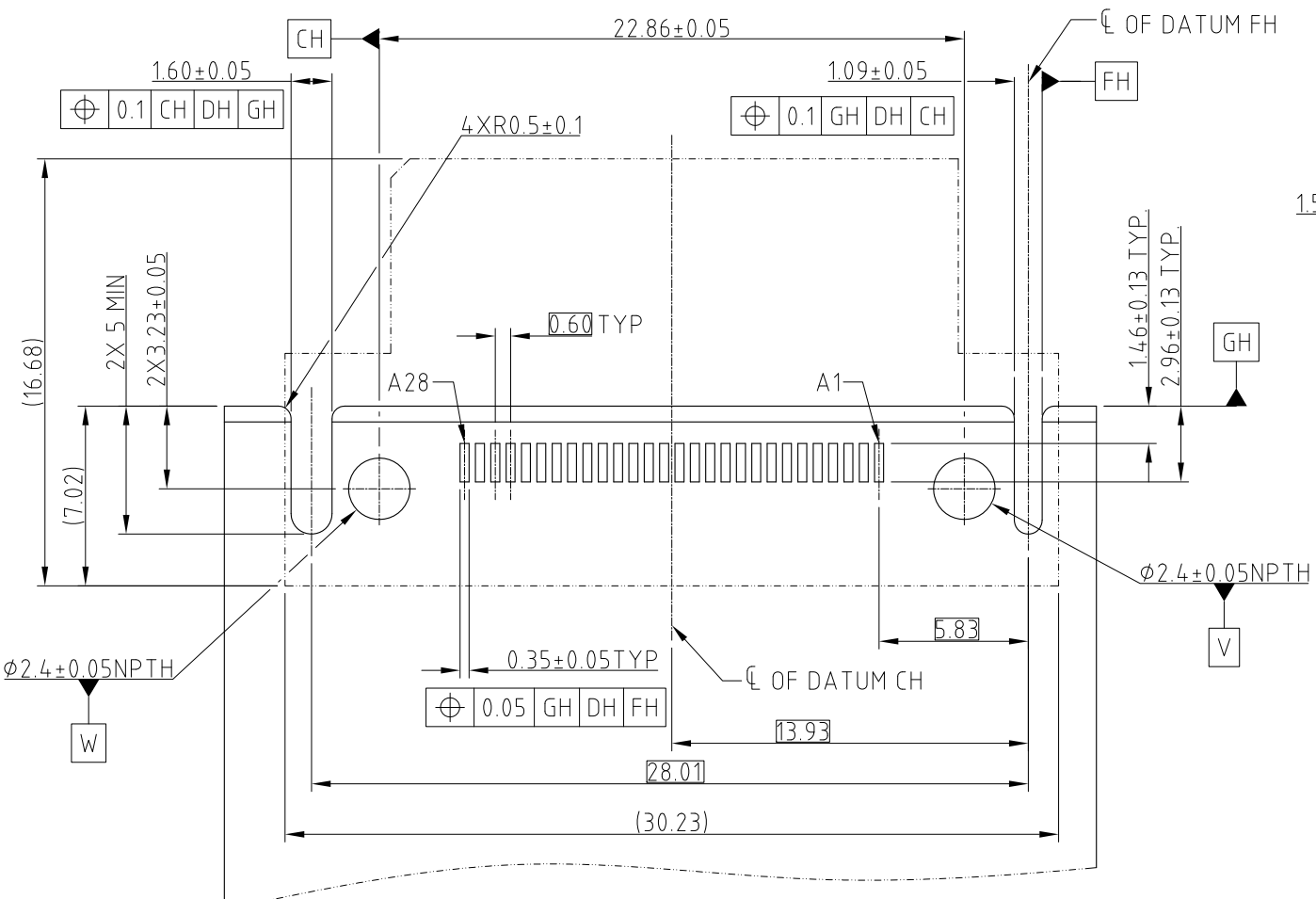
REVISIONS				
SYM	ECN	DESCRIPTION	DATE	APPROVED
		SEE SHEET 1		



RECOMMENDED AIC MATING CARD



DETAIL A SCALE 4:1



NOTE: POSITION B1 ON THE OPPOSITE SIDE OF CARD OF A1  
RECOMMENDED FOOTPRINT



UNLESS OTHERWISE SPECIFIED TOLERANCES	
U.S.	METRIC
.X +/-	0.25
.XX +/-	0.20
.XXX +/-	0.15
FRACTIONS +/-	5°
ANGLES +/-	
FOR MATERIALS AND FINISHES SEE NOTES	
REMOVE SHARP EDGES	
DIMENSIONS	
—U.S.—	INCHES
(METRIC)	(mm)

APPROVAL	DATE
DRAWN Teng.Cao	Nov.08,2018
CHECKED Ly.Yi	Nov.08,2018
APPROVED	
DRAWING FILE :	
INTERNAL\DRAWING\ME\C ME100561340110X	
ANGLE OF PROJECTION	

Amphenol		
TITLE		
MINI COOL EDGE CONNECTOR		
56P S/M MATE 1.57 HOST PCB		
SIZE	DRAWING NO.	REV.
A3	C ME100561340110X	3
SCALE	NONE	SHEET 2 OF 2