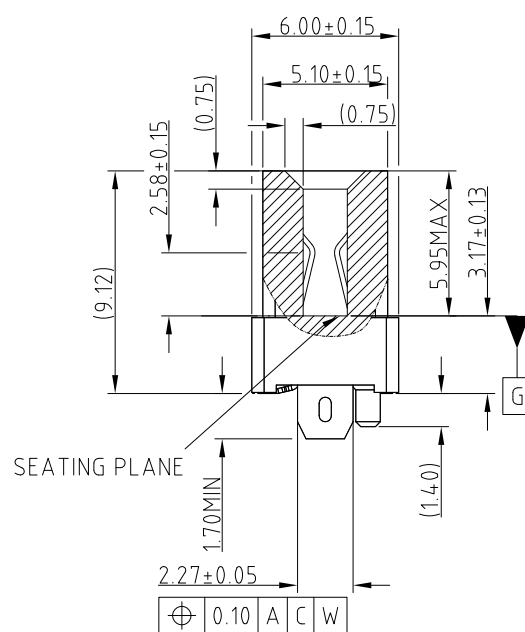
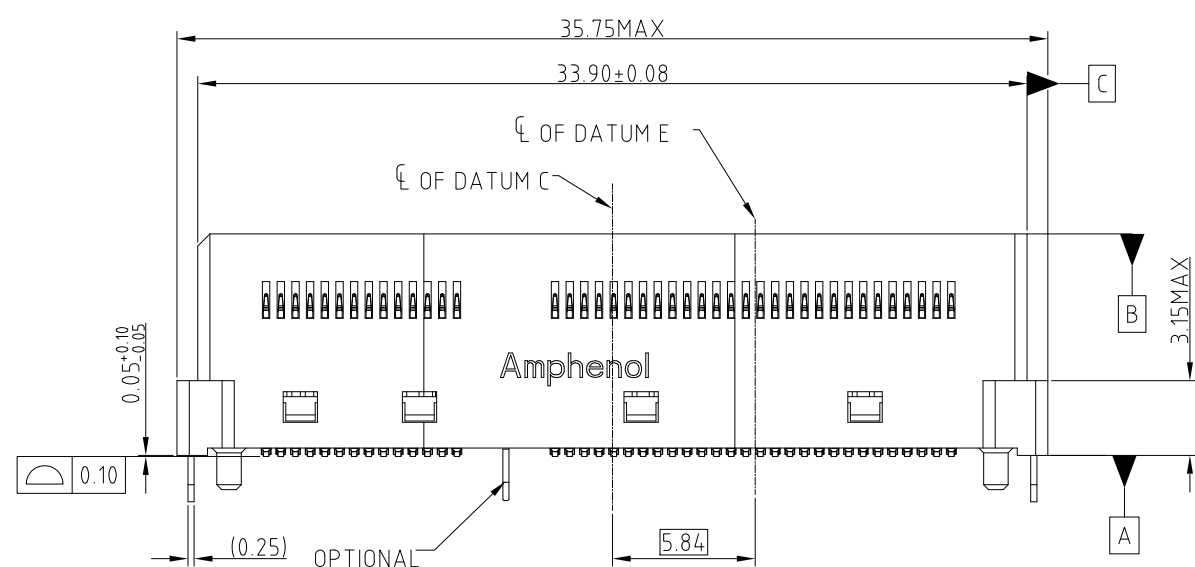
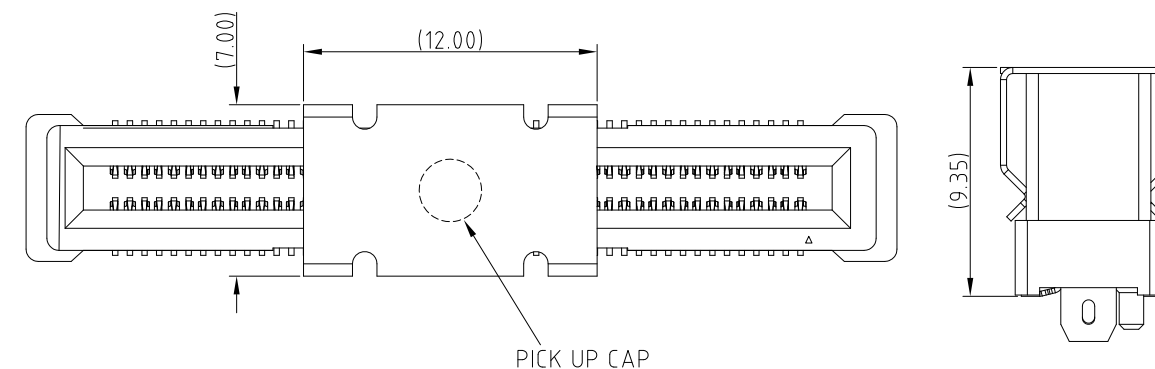
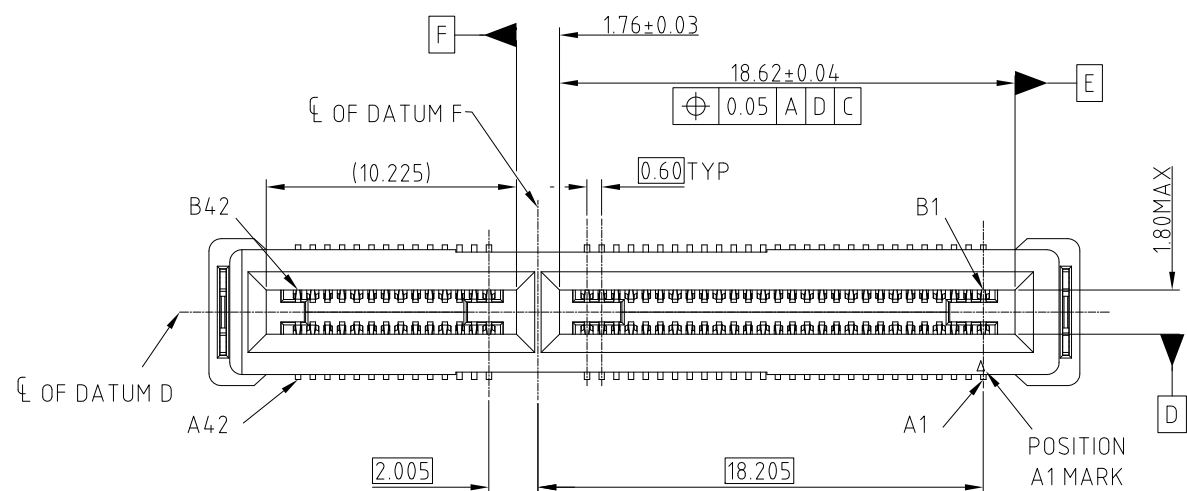


This document is the property of Amphenol Corporation and is delivered on the express condition that it is not to be disclosed, reproduced or used, in whole or in part, for manufacture or sale by anyone other than Amphenol Corporation without its prior consent, & that no right is granted to disclose or to use any information in this document.

CUSTOMER DRAWING

REVISIONS

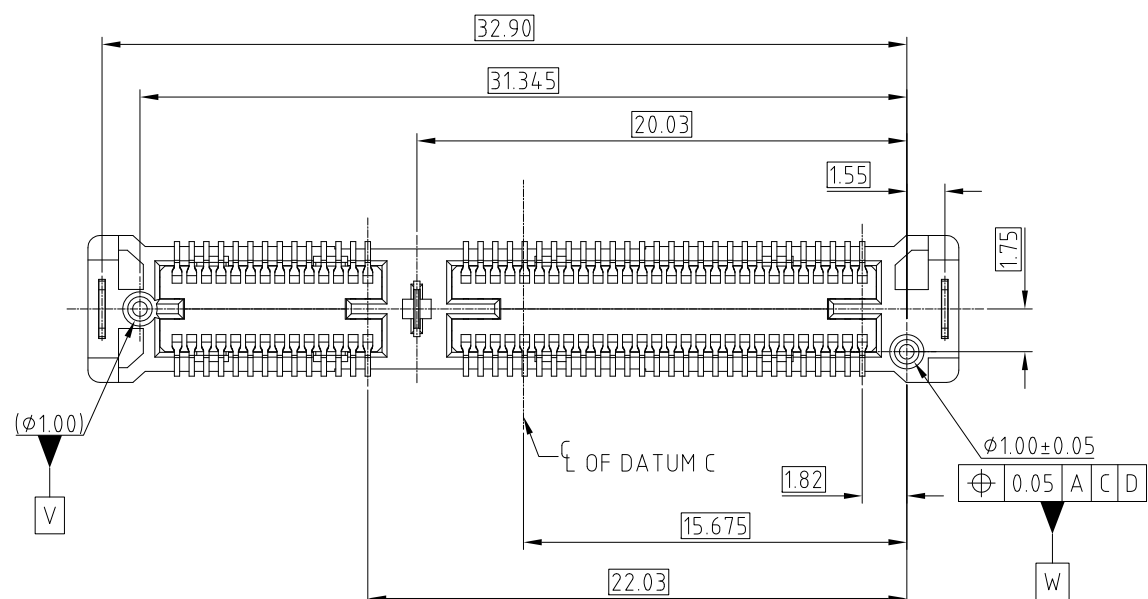
SYM	ECN	DESCRIPTION	DATE	APPROVED
4	CDXXXX	IMPROVED THE HOUSING ROBUST	Nov.10,2017	
5	CDXXXX	ADD AIC MATING CARD SPECIFICATION	May.21,2018	
6	CDXXXX	ADD PICK UP CAP	Aug.15,2018	
7	CDXXXX	UPDATED BY SFF TA 1002 V1.1.3	Nov.05,2018	



NOTE:

- MATERIAL:
HOUSING: HIGH TEMPERATURE THERMOPLASTIC BLACK UL94-V0
CONTACT: COPPER ALLOY
BOARDLOCK: COPPER ALLOY
- PLATING:
CONTACT: MATING AREA: SEE PLATING SEPC OVER 1.27-2.54 UM NICKEL UNDERPLATED
SOLDER AREA: 1.27 MIN TIN OVER 1.27-2.54 UM NICKEL UNDERPLATED
BOARDLOCK: 1.27 MIN TIN OVER 1.27-2.54UM NICKEL UNDERPLATED
- ELECTRICAL PERFORMANCE:
RATED CURRENT : 1.1A/PIN UP TO 12PINS
LLCR:30mΩ MAX, DELTA 15 mΩ.
INSULATION RESISTANCE: 1000MΩ MIN
- DURABILITY:200 CYCLES.
- MATERIAL SHOULD BE FULFILLED AMPHEONL SPEC# S-SN-002 AND S-SN-004.
- ORDERING PN SYSTEM:ME100841010101X

- PLATING SPEC
- 0.76um Au
 - 0.38um Au
 - GOLD FLASH
 - PdNi 0.76um +GF



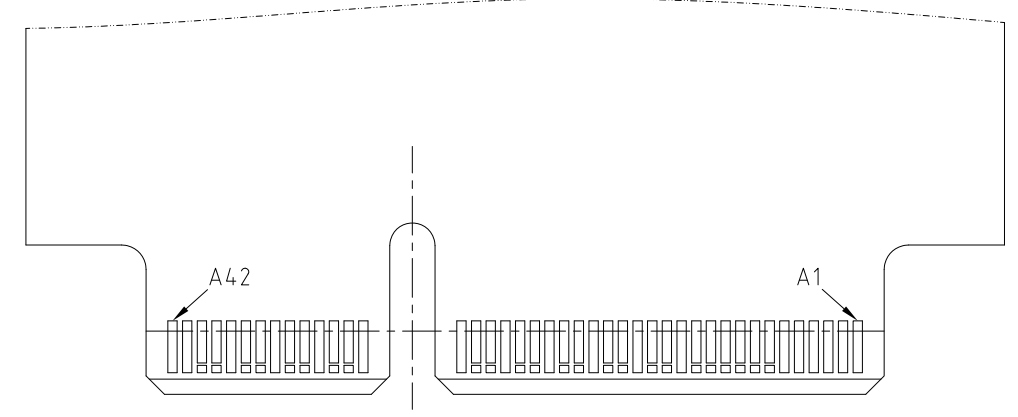
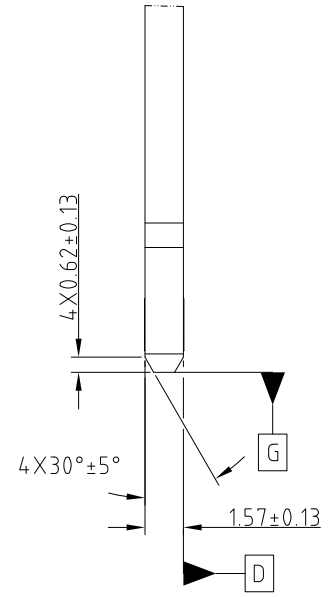
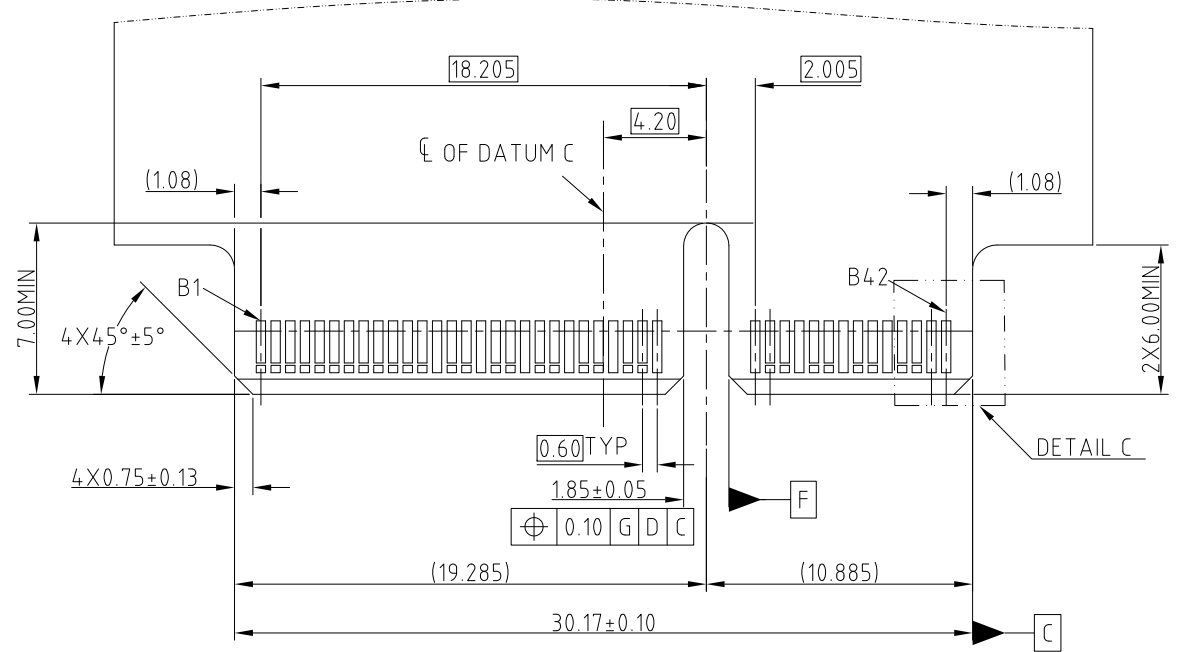
PROPOSAL DRAWING

UNLESS OTHERWISE SPECIFIED TOLERANCES		APPROVAL		DATE	Amphenol
U.S. METRIC		DRAWN	Rocky	Nov.05,2018	
.X	+/- 0.25	CHECKED	Ly.Yi	Nov.05,2018	
.XX	+/- 0.20	APPROVED			
.XXX	+/- 0.15	DRAWING FILE :			
FRACTIONS	+/- 5°	INTERNAL\DRAWING\ME\ C ME100841010101X			
ANGLES	+/-	ANGLE OF PROJECTION			
FOR MATERIALS AND FINISHES SEE NOTES		REMOVE SHARP EDGES			
DIMENSIONS		SCALE			
—U.S.—	INCHES	NONE			
(METRIC)	(mm)	SHEET 1 OF 2			
TITLE				MINI COOL EDGE CONNECTOR	
SIZE				DRAWING NO.	
A3				C ME100841010101X	
REV.				7	

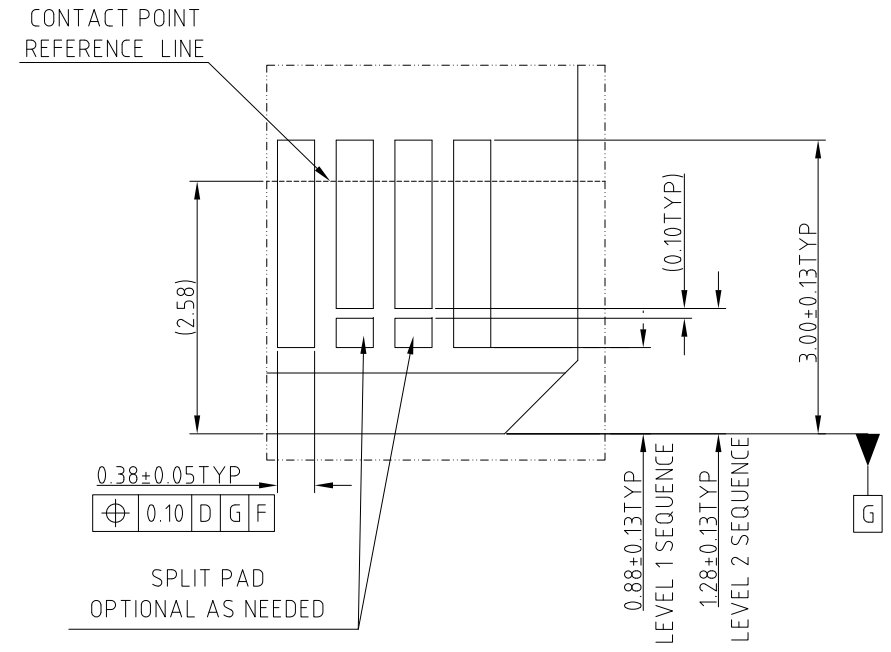
This document is the property of Amphenol Corporation and is delivered on the express condition that it is not to be disclosed, reproduced or used, in whole or in part, for manufacture or sale by anyone other than Amphenol Corporation without its prior consent, & that no right is granted to disclose or to use any information in this document.

CUSTOMER DRAWING

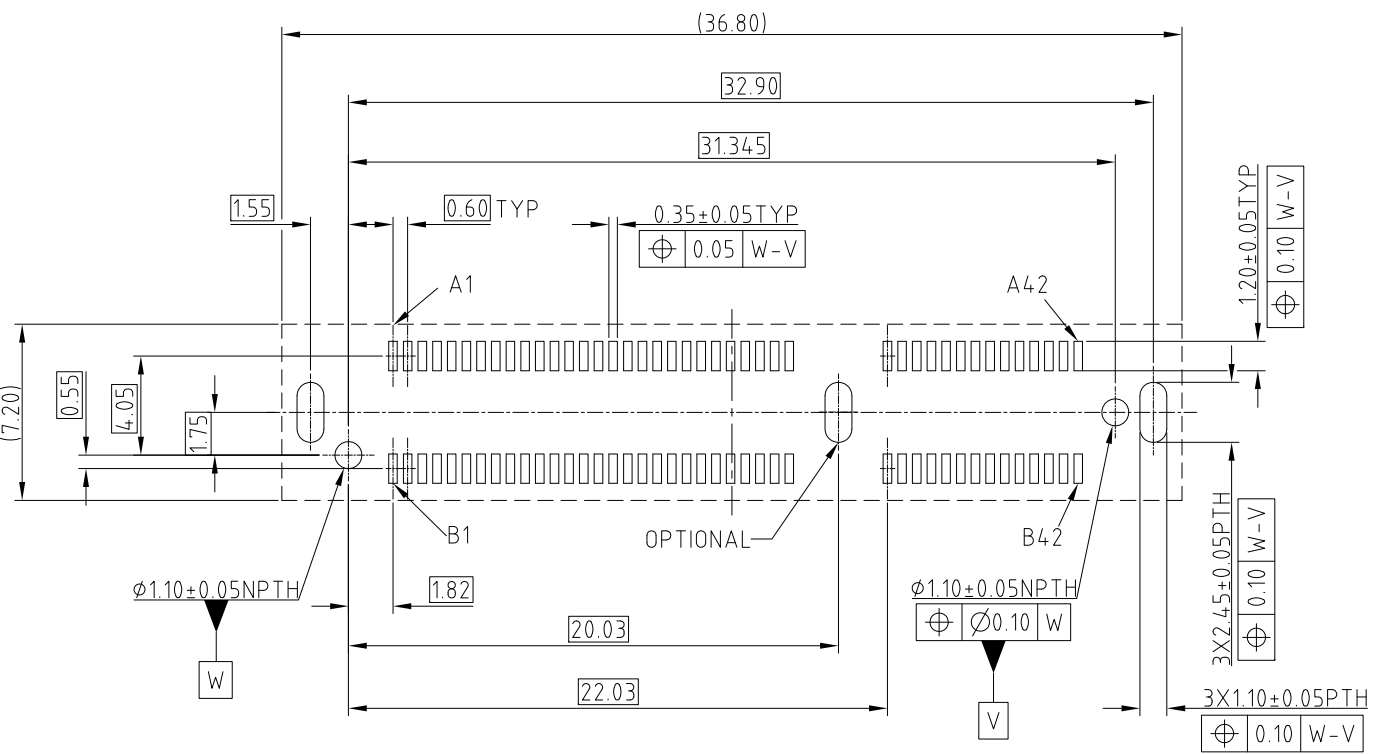
REVISIONS				
SYM	ECN	DESCRIPTION	DATE	APPROVED
		SEE SHEET 1		



RECOMMENDED AIC MATING CARD



DETAIL C SCALE 4:1



RECOMMENDED FOOTPRINT



PROPOSAL DRAWING

UNLESS OTHERWISE SPECIFIED TOLERANCES U.S. METRIC .X +/- 0.25 .XX +/- 0.20 .XXX +/- 0.15 FRACTIONS +/- 5° ANGLES +/- 5° FOR MATERIALS AND FINISHES SEE NOTES	APPROVAL	DATE	Amphenol TITLE MINI COOL EDGE CONNECTOR 84P V/T 0.6MM PITCH SMT
	DRAWN Rocky	Nov.05,2018	
	CHECKED Ly.Yi	Nov.05,2018	
APPROVED			
REMOVE SHARP EDGES	DRAWING FILE : INTERNAL\DRAWING\ME\ C ME100841010101X		
DIMENSIONS	ANGLE OF PROJECTION		
—U.S.— INCHES			SIZE DRAWING NO. REV. A3 C ME100841010101X 7
(METRIC) (mm)			SCALE NONE SHEET 2 OF 2