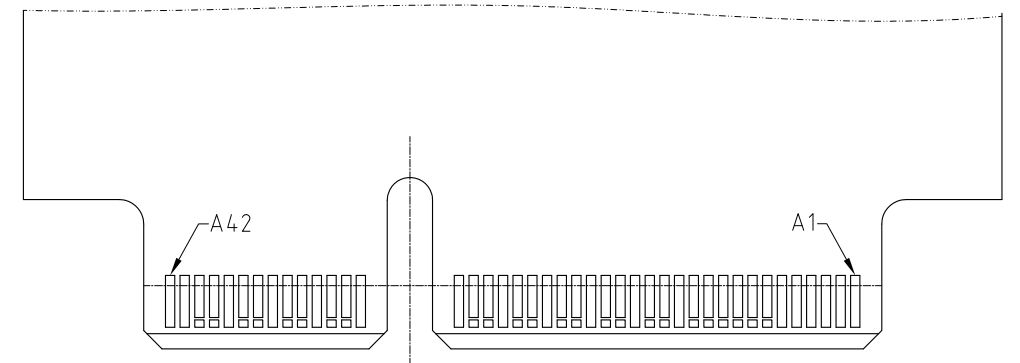
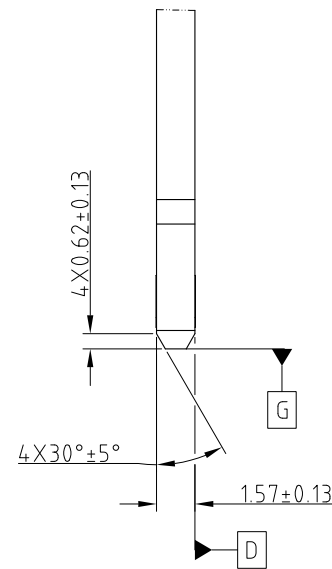
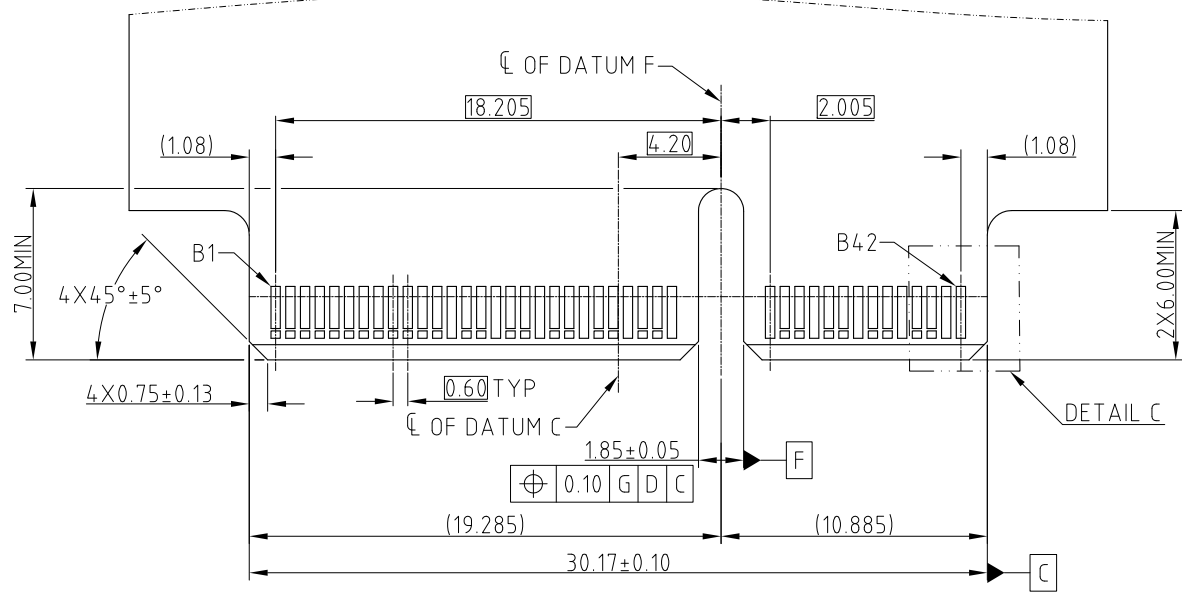


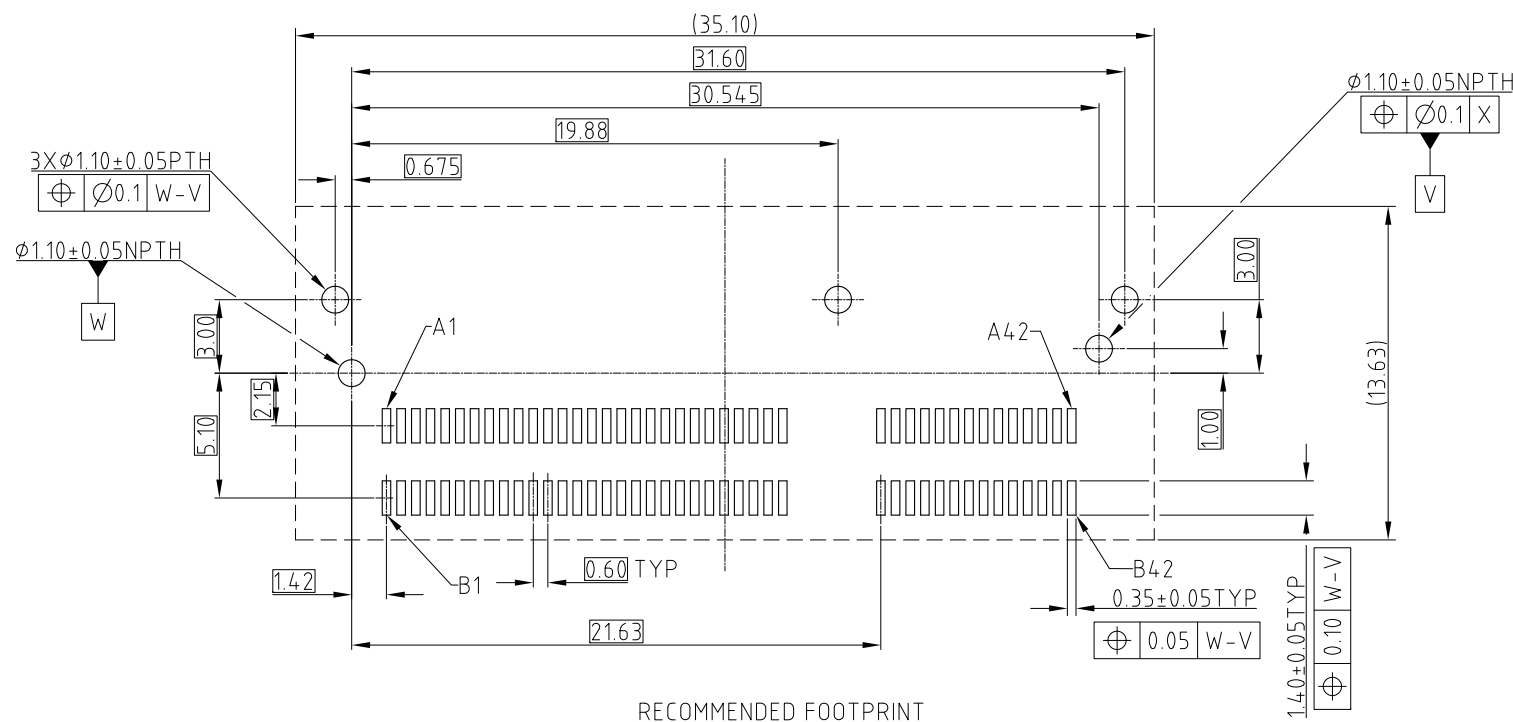
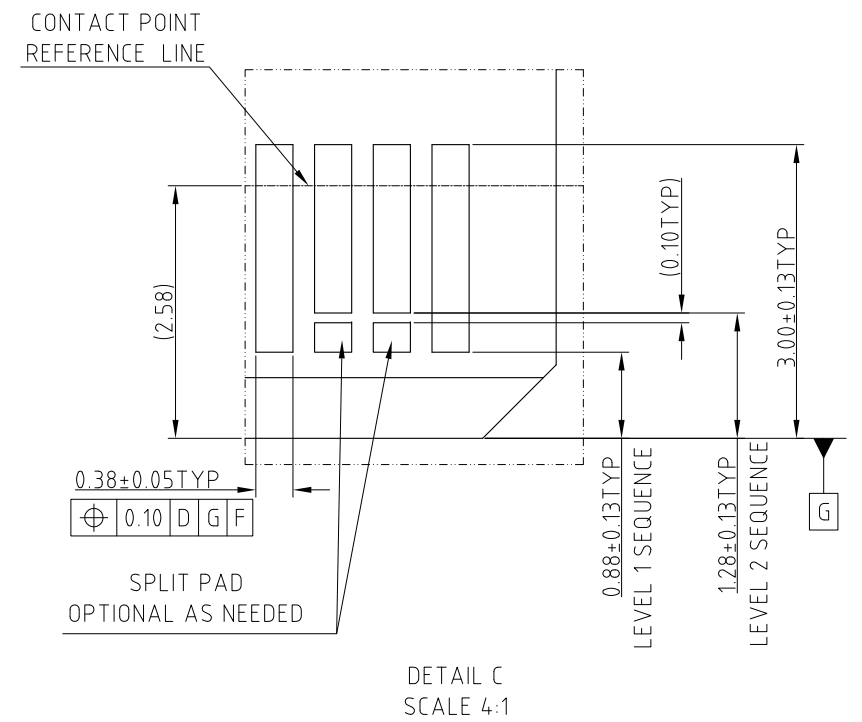
This document is the property of Amphenol Corporation and is delivered on the express condition that it is not to be disclosed, reproduced or used, in whole or in part, for manufacture or sale by anyone other than Amphenol Corporation without its prior consent, & that no right is granted to disclose or to use any information in this document.

CUSTOMER DRAWING

REVISIONS				
SYM	ECN	DESCRIPTION	DATE	APPROVED
		SEE SHEET 1		



RECOMMENDED AIC MATING CARD



RECOMMENDED FOOTPRINT

PROPOSAL DRAWING

UNLESS OTHERWISE SPECIFIED TOLERANCES		APPROVAL	DATE	Amphenol		
U.S. METRIC		DRAWN	Teng.Cao			Nov.08,2018
.X +/- 0.25		CHECKED	Ly.Yi			Nov.08,2018
.XX +/- 0.20		APPROVED		TITLE		
.XXX +/- 0.15		DRAWING FILE :		MINI COOL EDGE CONNECTOR		
FRACTIONS +/- 5°		INTERNAL\DRAWING\ME\ C ME100841020103X		84P R/A 0.6MM PITCH 4.05		
ANGLES +/-		ANGLE OF PROJECTION		SIZE DRAWING NO.		
FOR MATERIALS AND FINISHES SEE NOTES		REMOVE SHARP EDGES		A3 C ME100841020103X		
DIMENSIONS		INCHES		REV.		
—U.S.—		INCHES		8		
(METRIC)		(mm)		SCALE NONE SHEET 2 OF 2		