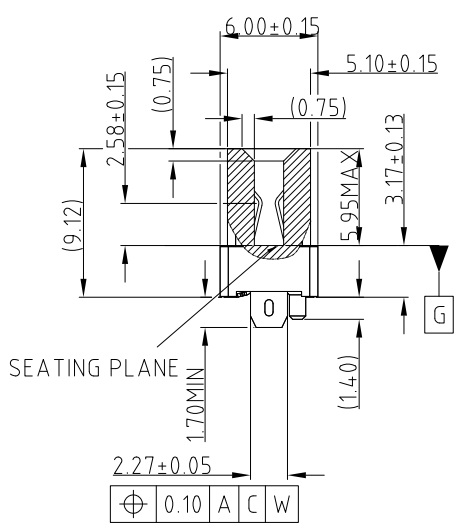
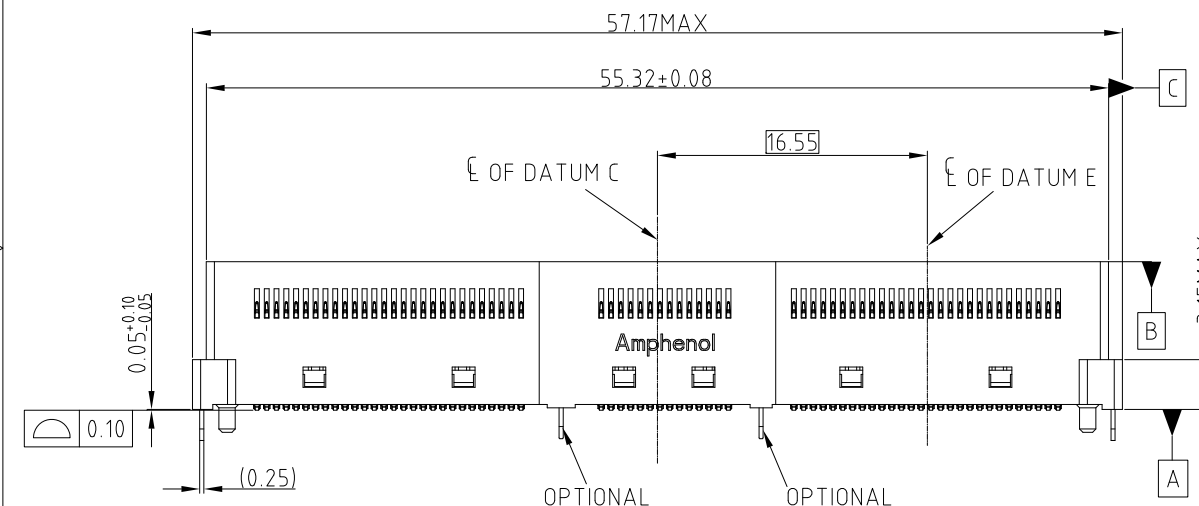
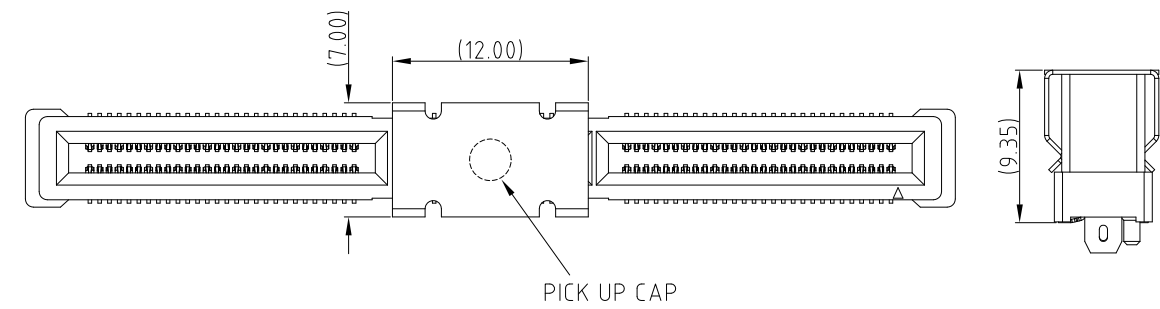
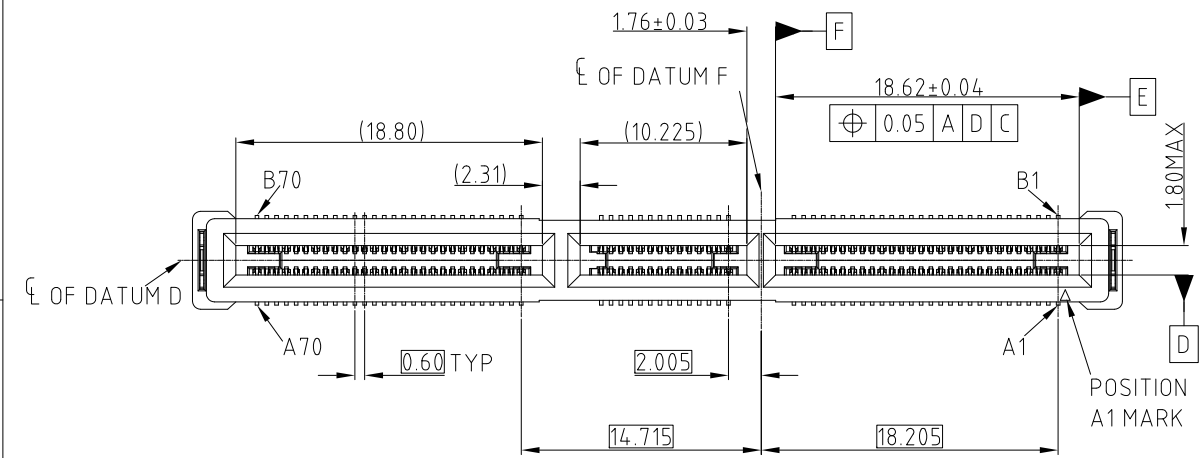


This document is the property of Amphenol Corporation and is delivered on the express condition that it is not to be disclosed, reproduced or used, in whole or in part, for manufacture or sale by anyone other than Amphenol Corporation without its prior consent, & that no right is granted to disclose or to use any information in this document.

CUSTOMER DRAWING

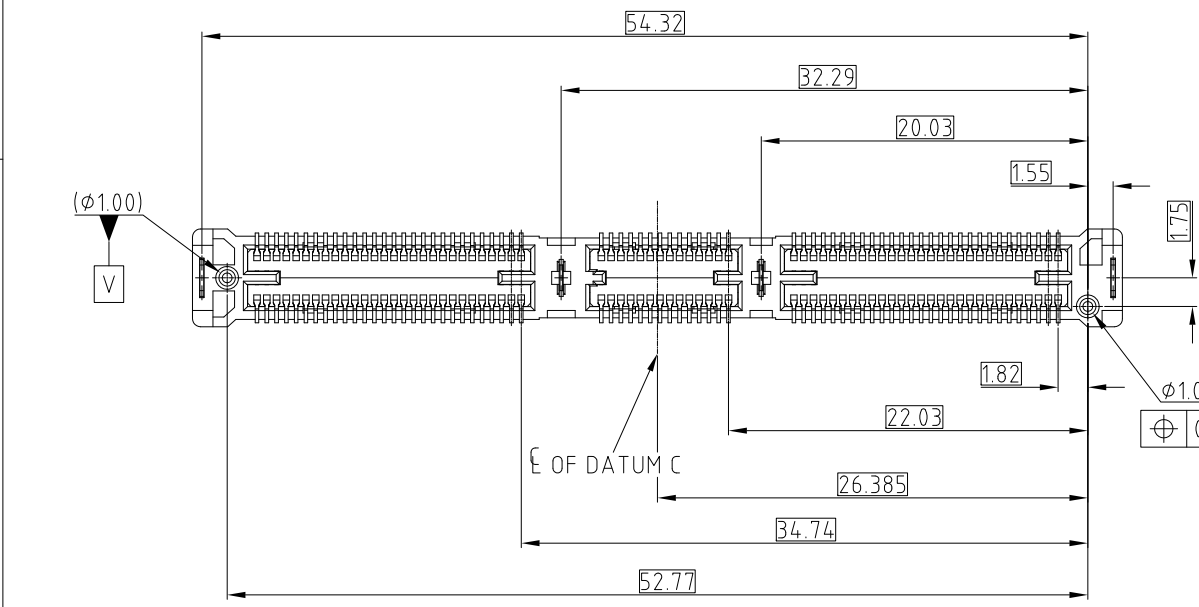
| REVISIONS | | | | |
|-----------|--------|-----------------------------------|-------------|----------|
| SYM | ECN | DESCRIPTION | DATE | APPROVED |
| 3 | CDXXXX | ADD AIC MATING CARD SPECIFICATION | Nov.08,2017 | |
| 4 | CDXXXX | REVISE THE PCB GOLD FINGER | Jul.18,2018 | |
| 5 | CDXXXX | ADD PICK UP CAP | Aug.15,2018 | |
| 6 | CDXXXX | UPDATED BY SFF TA 1002 V 1.1.3 | Nov.05,2018 | |



- NOTE:
- MATERIAL:
HOUSING: HIGH TEMPERATURE THERMOPLASTIC BLACK UL94-V0
CONTACT: COPPER ALLOY
BOARDLOCK: COPPER ALLOY
 - PLATING:
CONTACT: MATING AREA: SEE PLATING SEPC OVER 1.27-2.54 μm NICKEL UNDERPLATED
SOLDER AREA: 1.27 MIN TIN OVER 1.27-2.54 μm NICKEL UNDERPLATED
BOARDLOCK: 1.27 MIN TIN OVER 1.27-2.54 μm NICKEL UNDERPLATED
 - ELECTRICAL PERFORMANCE:
RATED CURRENT : 1.1A/PIN UP TO 12PINS
LLCR: 30mΩ MAX, DELTA 15 mΩ
INSULATION RESISTANCE: 1000MΩ MIN
 - DURABILITY: 200 CYCLES.
 - MATERIAL SHOULD BE FULFILLED AMPHEONL SPEC# S-SN-002 AND S-SN-004.
 - ORDERING SYSTEM PN: ME101401010101X

PLATING SPEC

| | |
|---|----------------|
| 1 | 0.76um Au |
| 2 | 0.38um Au |
| 3 | GOLD FLASH |
| 4 | PdNi 0.76um+GF |



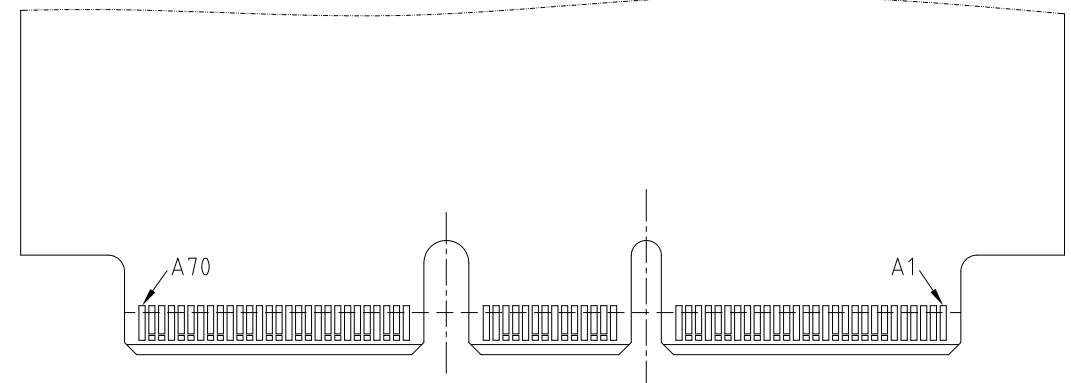
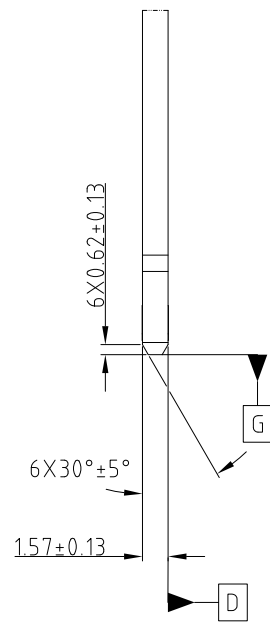
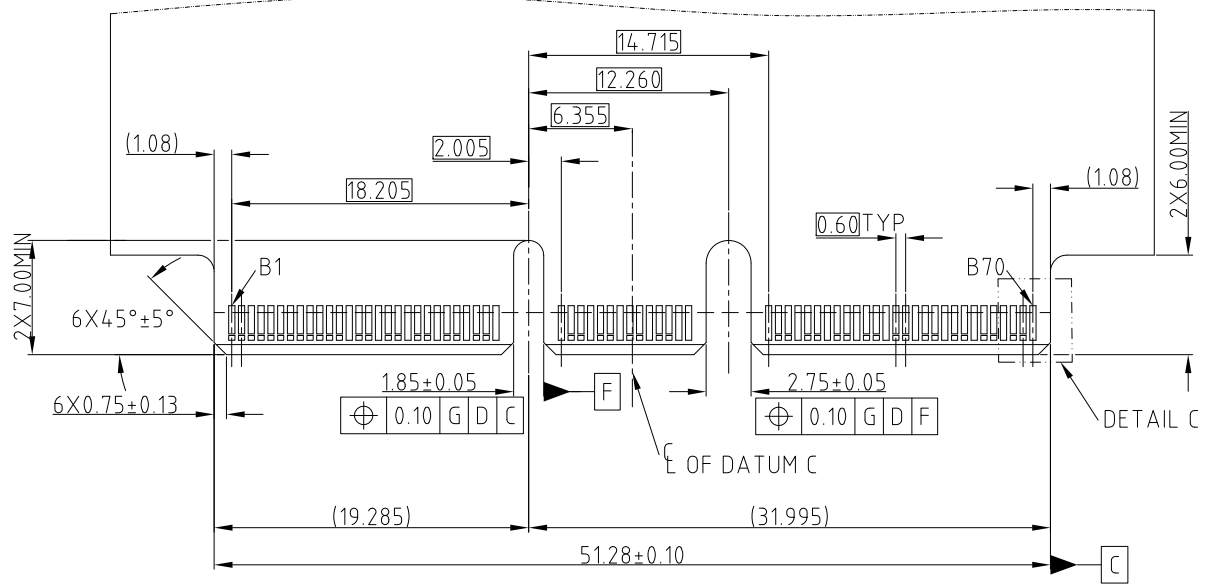
PROPOSAL DRAWING

| | | | | | | | |
|---------------------------------------|----------|--------------------|-------|---------------------------------------|--|--------------------------|--|
| UNLESS OTHERWISE SPECIFIED TOLERANCES | | APPROVAL | | DATE | | Amphenol | |
| U.S. METRIC | | DRAWN | Rocky | Nov.05,2018 | | | |
| .X | +/- 0.25 | CHECKED | Ly.Yi | Nov.05,2018 | | | |
| .XX | +/- 0.20 | APPROVED | | | | TITLE | |
| .XXX | +/- 0.15 | | | | | MINI COOL EDGE CONNECTOR | |
| FRACTIONS | +/- 5° | DRAWING FILE : | | INTERNAL\DRAWING\ME\C ME101401010101X | | 140P V/T 0.6MM PITCH SMT | |
| ANGLES | +/- | REMOVE SHARP EDGES | | ANGLE OF PROJECTION | | SIZE | |
| FOR MATERIALS AND FINISHES SEE NOTES | | DIMENSIONS | | | | DRAWING NO. | |
| | | —U.S.— INCHES | | | | A3 C ME101401010101X | |
| | | (METRIC) (mm) | | | | REV. 6 | |
| | | | | SCALE | | SHEET 1 OF 2 | |

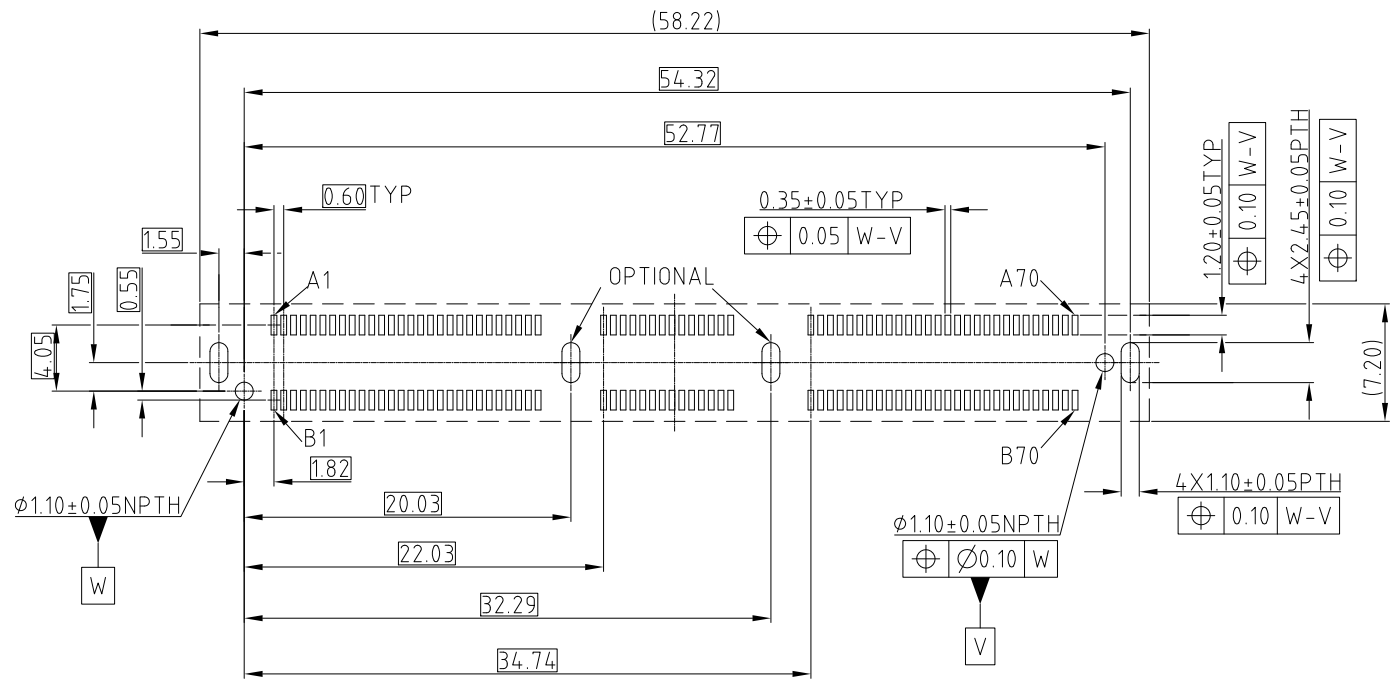
This document is the property of Amphenol Corporation and is delivered on the express condition that it is not to be disclosed, reproduced or used, in whole or in part, for manufacture or sale by anyone other than Amphenol Corporation without its prior consent, & that no right is granted to disclose or to use any information in this document.

CUSTOMER DRAWING

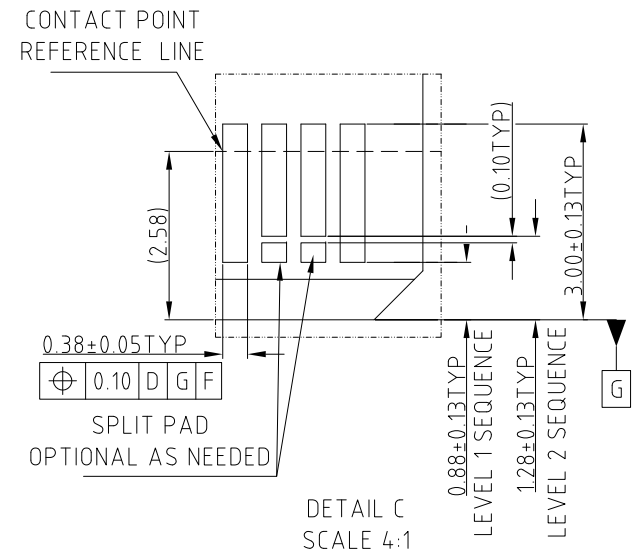
| REVISIONS | | | | |
|-----------|-----|-------------|------|----------|
| SYM | ECN | DESCRIPTION | DATE | APPROVED |
| | | SEE SHEET 1 | | |



RECOMMENDED AIC MATING CARD



RECOMMENDED FOOTPRINT



DETAIL C
SCALE 4:1



PROPOSAL DRAWING

| | | | |
|--|--|--|---|
| UNLESS OTHERWISE SPECIFIED TOLERANCES U.S. METRIC .X +/- 0.25 .XX +/- 0.20 .XXX +/- 0.15 FRACTIONS +/- 5° ANGLES +/- 5° | APPROVAL DRAWN Rocky CHECKED Ly.Yi APPROVED | DATE Nov.05,2018 Nov.05,2018 | Amphenol TITLE MINI COOL EDGE CONNECTOR 140P V/T 0.6MM PITCH SMT |
| | FOR MATERIALS AND FINISHES SEE NOTES REMOVE SHARP EDGES DIMENSIONS —U.S.— INCHES (METRIC) (mm) | DRAWING FILE : INTERNAL\DRAWING\ME\ C ME101401010101X ANGLE OF PROJECTION | |

| | | | |
|-------------------|---|----------------------|---------------------|
| SIZE A3 | DRAWING NO. C ME101401010101X | SCALE NONE | SHEET 2 OF 2 |
|-------------------|---|----------------------|---------------------|