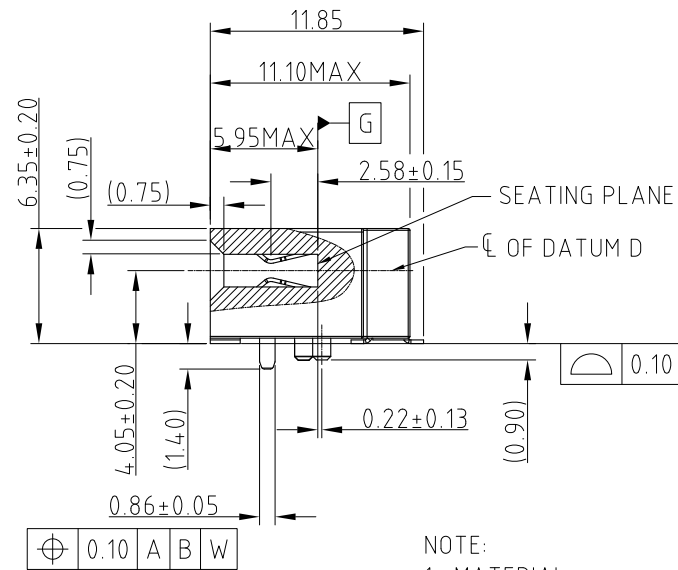
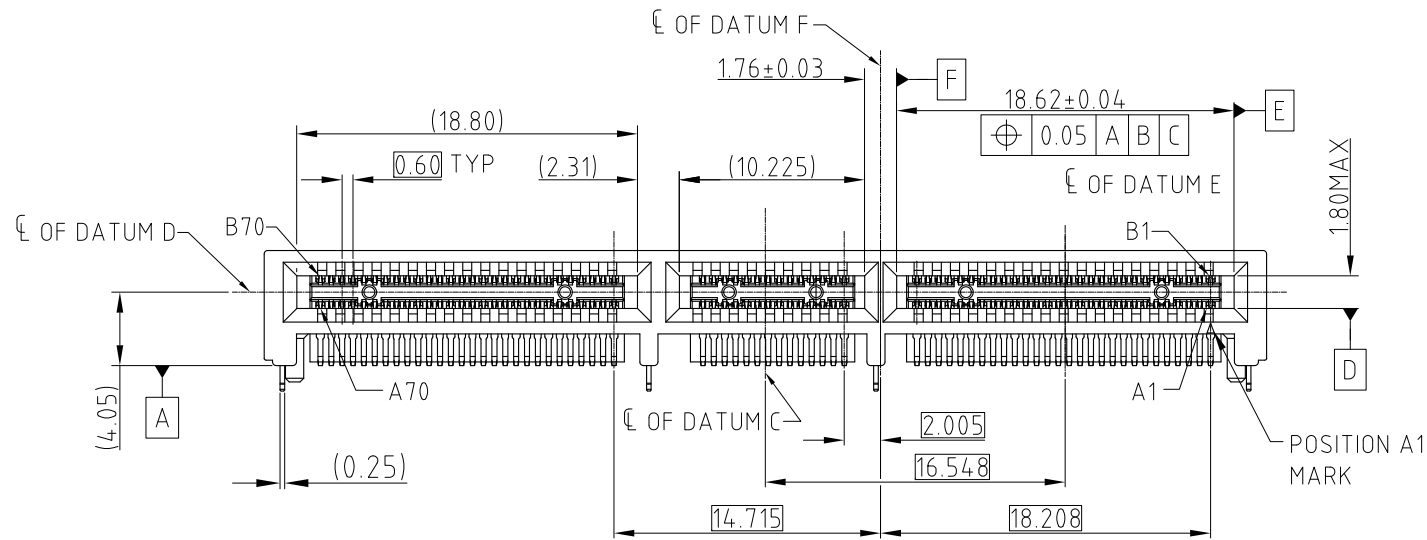
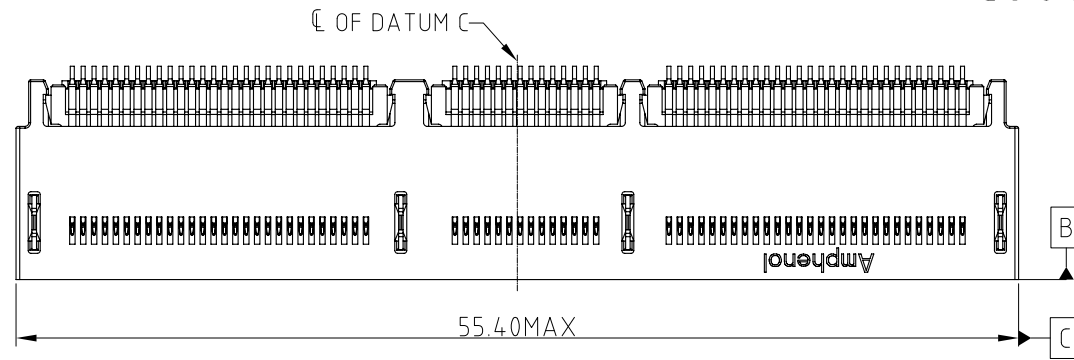


This document is the property of Amphenol Corporation and is delivered on the express condition that it is not to be disclosed, reproduced or used, in whole or in part, for manufacture or sale by anyone other than Amphenol Corporation without its prior consent, & that no right is granted to disclose or to use any information in this document.

CUSTOMER DRAWING

REVISIONS

SYM	ECN	DESCRIPTION	DATE	APPROVED
4	CDXXXX	FOLLOW SFF TA 1002 V1.1	Feb.02,2018	YH
5	CDXXXX	ADD AIC CARD	May.28,2018	YH
6	CDXXXX	REVISE THE BOARD LOCK LENGTH	Jul.04,2018	YH
7	CDXXXX	REVISE THE PCB GOLD FINGER	Jul.18,2018	YH
8	CDXXXX	REVISE THE DRAWING	Jul.18,2018	YH
9	CDXXXX	UPDATED BY SFF TA 1002 REV 1.1.2	Oct.12,2018	YH
10	CDXXXX	UPDATED BY SFF TA 1002 REV 1.1.3	Nov.08,2018	YH



NOTE:

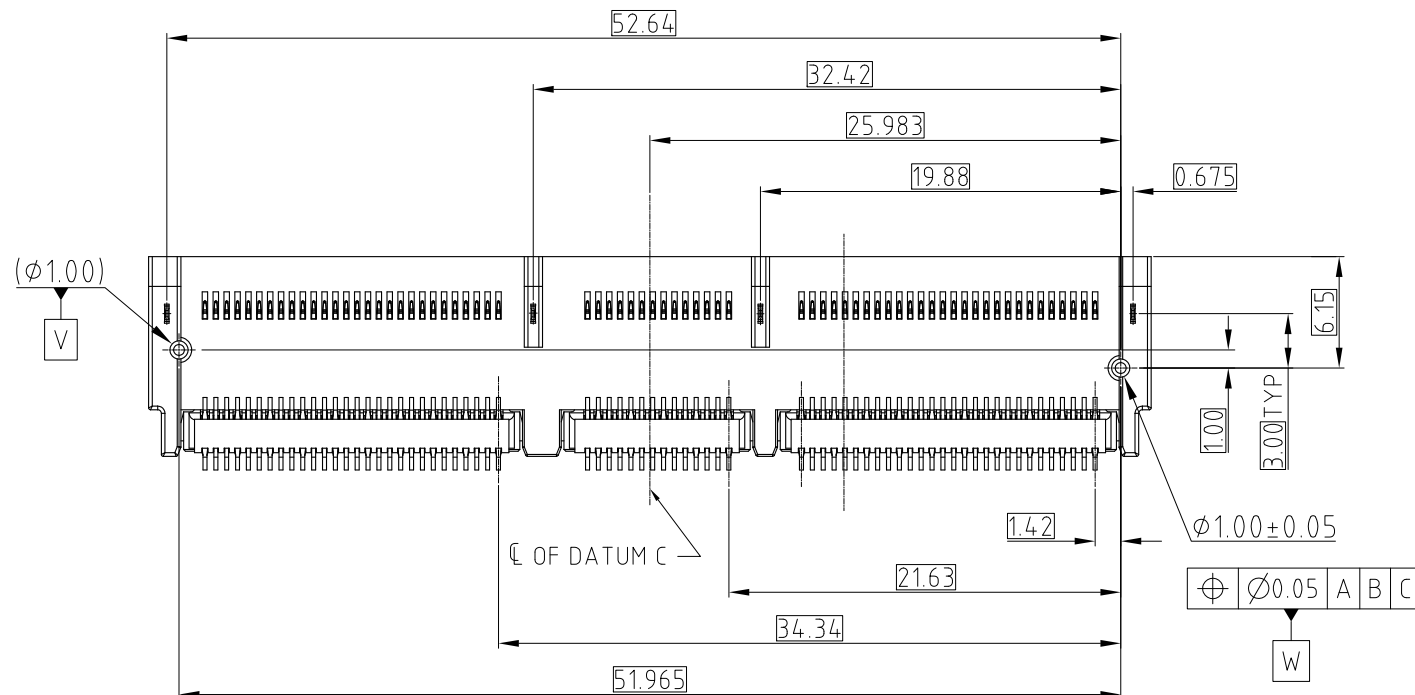
- MATERIAL:  
HOUSING: HIGH TEMPERATURE THERMOPLASTIC BLACK UL94-V0  
CONTACT: COPPER ALLOY  
BOARD LOCK: COPPER ALLOY
- PLATING:  
CONTACT: MATING AREA: Au THICKNESS PLEASE REFER TO PN SYSTEM, 1.27-2.54 μm NICKEL UNDERPLATED  
SOLDER AREA: 1.27 μm MIN TIN OVER 1.27-2.54 μm NICKEL UNDERPLATED  
BOARD LOCK: 1.27 MIN TIN OVER 1.27-2.54 μm NICKEL UNDERPLATED
- ELECTRICAL PERFORMANCE:  
RATED CURRENT: 1.1A/PIN UP TO 12PINS  
LLCR: 30mΩ MAX, DELTA 15 mΩ.  
INSULATION RESISTANCE: 1000MΩ MIN
- DURABILITY: 200 CYCLES.
- MATERIAL SHOULD BE FULFILLED AMPHENOL SPEC# S-SN-002 AND S-SN-004
- ORDERING PN SYSTEM: ME101401020103X

- PLATING SPEC
- 0.76um Au
  - 0.38um Au
  - GOLD FLASH
  - PdNi0.76um+GF

PROPOSAL DRAWING

UNLESS OTHERWISE SPECIFIED TOLERANCES		APPROVAL		DATE	
U.S.	METRIC	DRAWN	Teng.Cao	Nov.08,2018	
.X +/-	0.25	CHECKED	Ly.Yi	Nov.08,2018	
.XX +/-	0.20	APPROVED			
.XXX +/-	0.15	DRAWING FILE :			
FRACTIONS +/-	5°	INTERNAL\DRAWING\ME\C ME101401020103X			
ANGLES +/-		REMOVE SHARP EDGES			
FOR MATERIALS AND FINISHES SEE NOTES		ANGLE OF PROJECTION			
DIMENSIONS					
—U.S.—	INCHES				
(METRIC)	(mm)				

<b>Amphenol</b>		
TITLE MINI COOL EDGE CONNECTOR 140P R/A 0.6MM PITCH 4.05		
SIZE	DRAWING NO.	REV.
A3	C ME101401020103X	10
SCALE	NONE	SHEET 1 OF 2



D

C

B

A

D

C

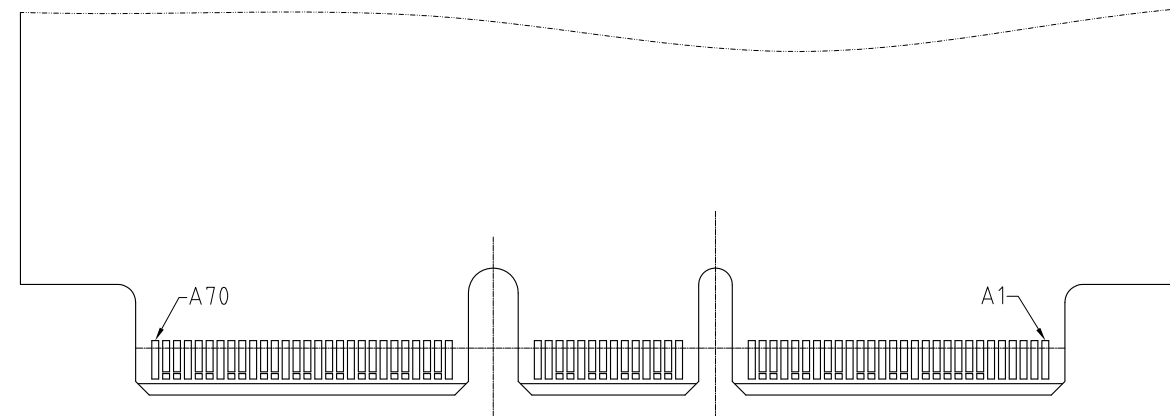
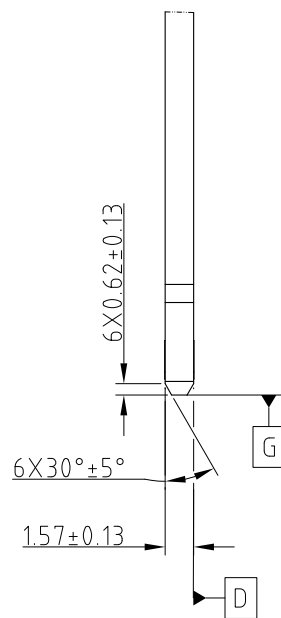
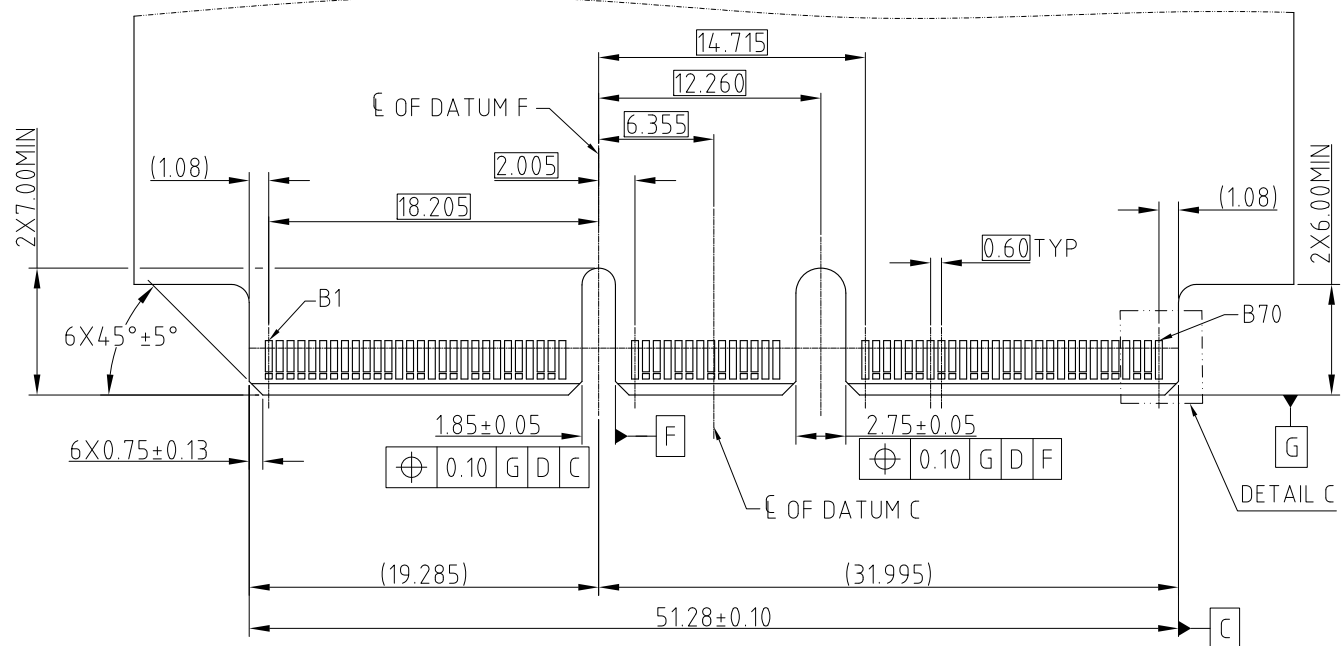
B

A

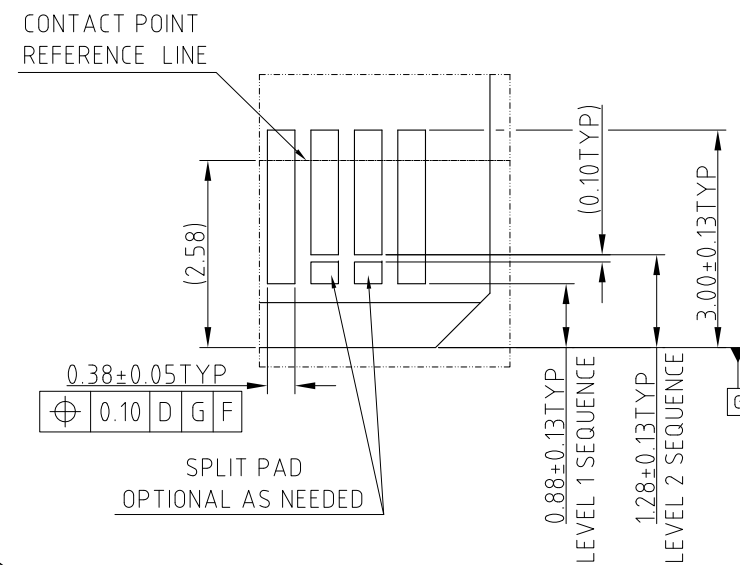
This document is the property of Amphenol Corporation and is delivered on the express condition that it is not to be disclosed, reproduced or used, in whole or in part, for manufacture or sale by anyone other than Amphenol Corporation without its prior consent, & that no right is granted to disclose or to use any information in this document.

# CUSTOMER DRAWING

REVISIONS				
SYM	ECN	DESCRIPTION	DATE	APPROVED
		SEE SHEET 1		



RECOMMENDED AIC MATING CARD



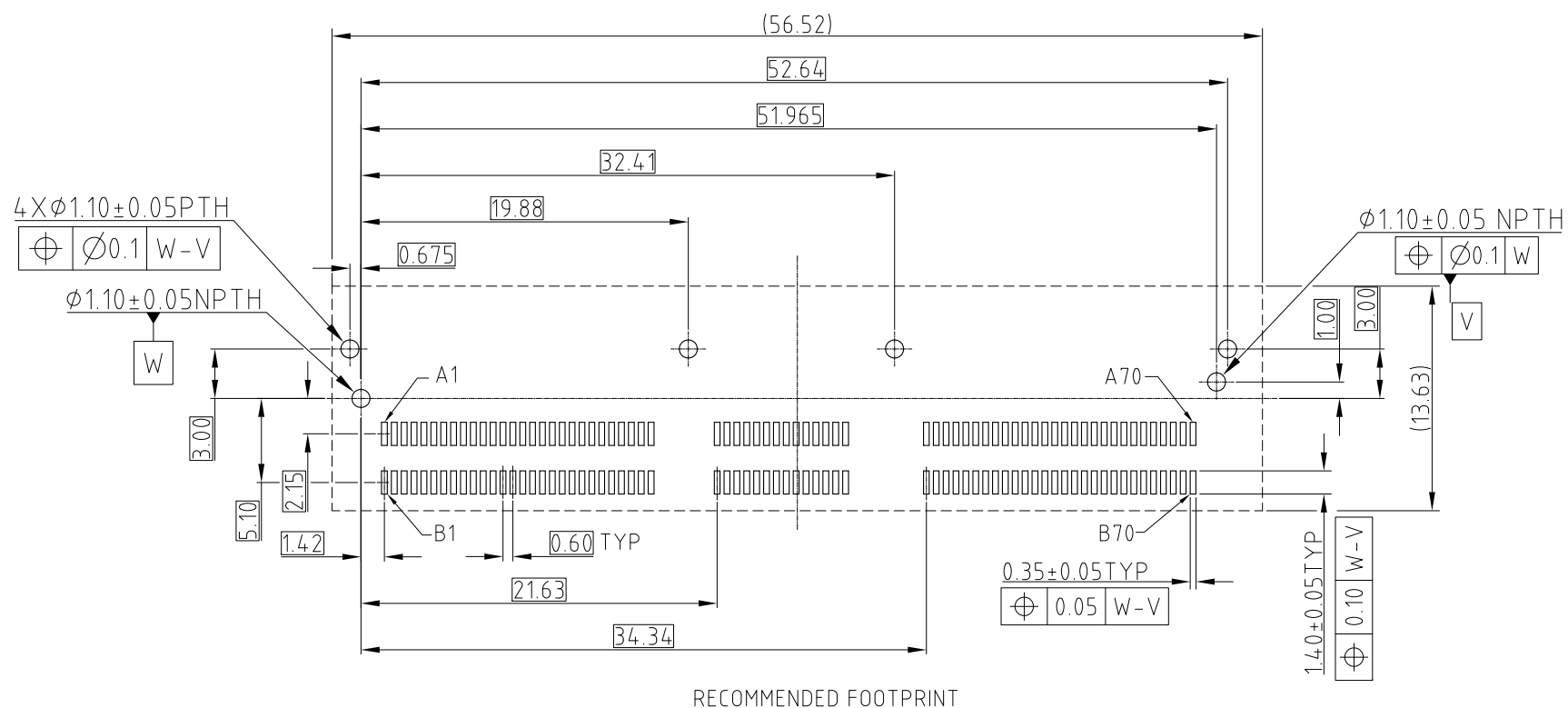
DETAIL C  
SCALE 4:1



## PROPOSAL DRAWING

UNLESS OTHERWISE SPECIFIED <b>TOLERANCES</b> U.S.    METRIC .X    +/-    0.25 .XX   +/-    0.20 .XXX +/-    0.15 FRACTIONS +/-    5° ANGLES +/-    5° FOR MATERIALS AND FINISHES SEE NOTES REMOVE SHARP EDGES DIMENSIONS —U.S.—    INCHES (METRIC)    (mm)	<b>APPROVAL</b> DRAWN Teng.Cao CHECKED Ly.Yi APPROVED	<b>DATE</b> Nov.08,2018 Nov.08,2018
	<b>DRAWING FILE :</b> INTERNAL\DRAWING\ME\C ME101401020103X	
	<b>ANGLE OF PROJECTION</b> 	

<b>Amphenol</b>		
<b>TITLE</b> MINI COOL EDGE CONNECTOR 140P R/A 0.6MM PITCH 4.05		
<b>SIZE</b> A3	<b>DRAWING NO.</b> C ME101401020103X	<b>REV.</b> 10
<b>SCALE</b> NONE	<b>SHEET 2 OF 2</b>	



RECOMMENDED FOOTPRINT