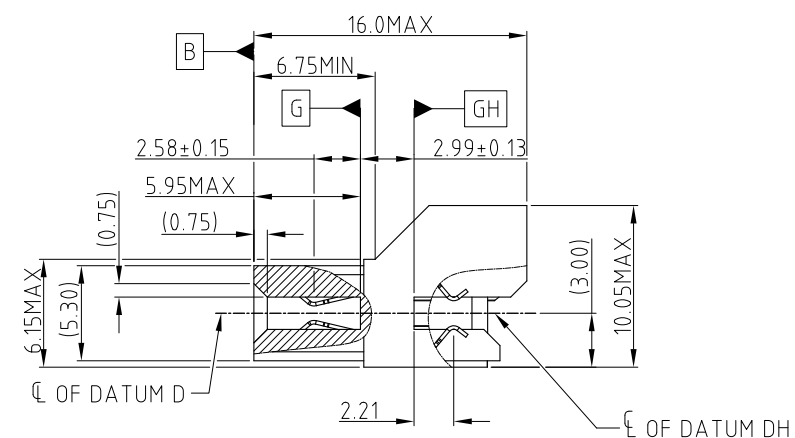
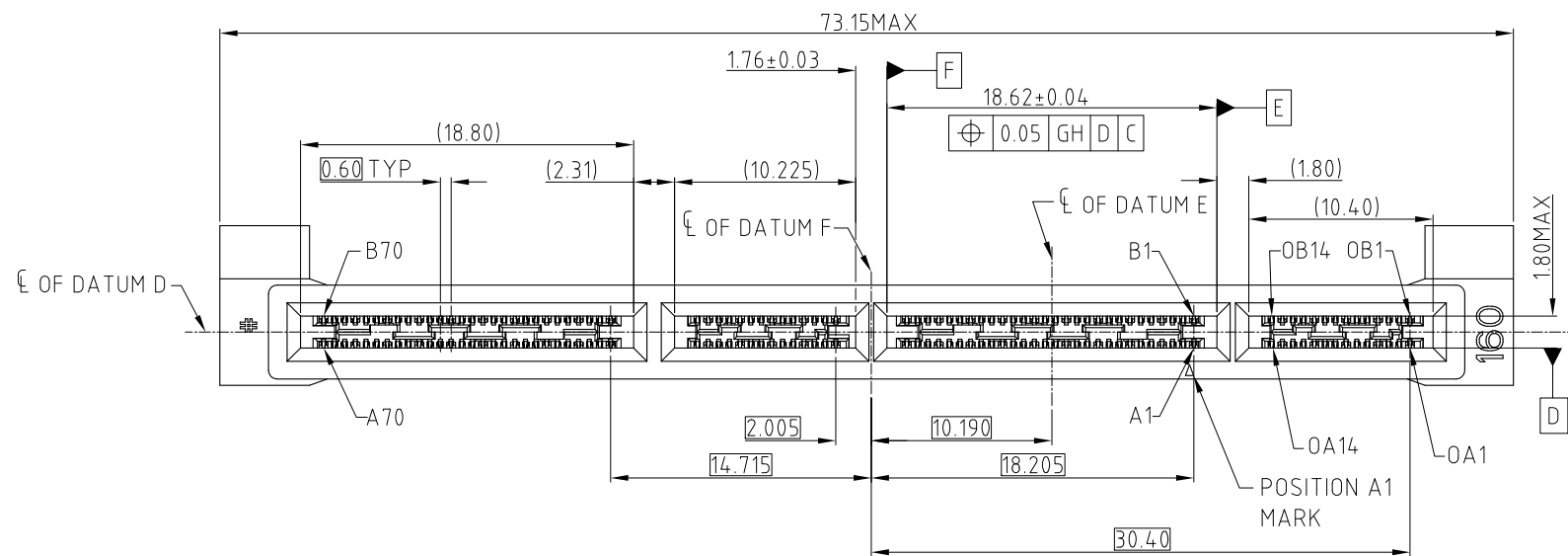


This document is the property of Amphenol Corporation and is delivered on the express condition that it is not to be disclosed, reproduced or used, in whole or in part, for manufacture or sale by anyone other than Amphenol Corporation without its prior consent, & that no right is granted to disclose or to use any information in this document.

# CUSTOMER DRAWING

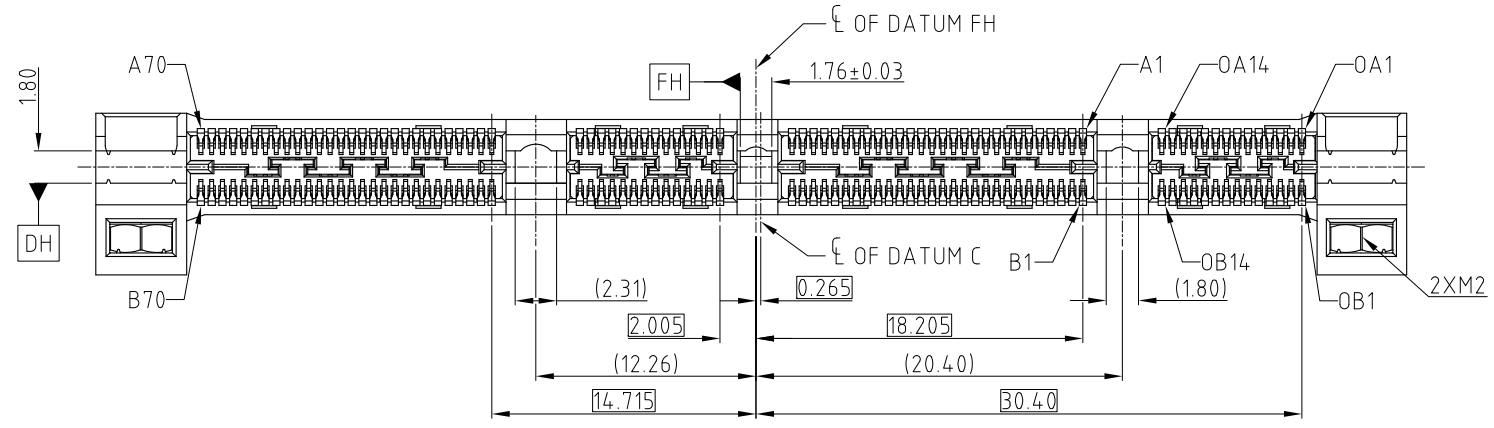
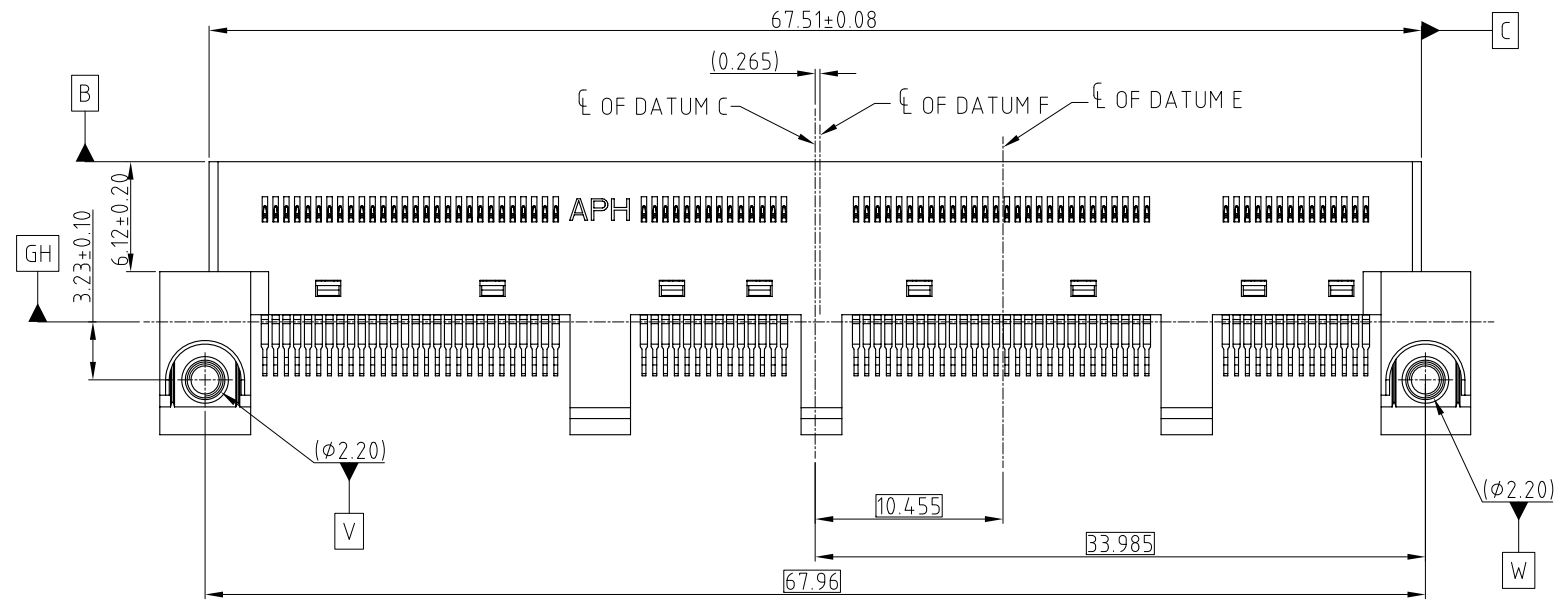
## REVISIONS

SYM	ECN	DESCRIPTION	DATE	APPROVED
1	CDXXXX	PRELIMINARY PROPOSAL	May.11,2018	YH
2	CDXXXX	CHANGE THE PN	May.30,2018	YH
3	CDXXXX	REVISE THE PCB THICKNESS TOLERANCE	Aug.16,2018	YH
4	CDXXXX	UPDATED BY SFF TA 1002 REV 1.1.3	Nov.08,2018	YH



- NOTE:
- MATERIAL:  
HOUSING: HIGH TEMPERATURE THERMOPLASTIC BLACK UL94-V0  
CONTACT: COPPER ALLOY  
NUT: STAINLESS STEEL
  - PLATING:  
CONTACT: MATING AREA: Au THICKNESS PLEASE REFER TO PN SYSTEM, 1.27-2.54 μm NICKEL UNDERPLATED  
SOLDER AREA: 1.27 μm MIN TIN OVER 1.27-2.54 μm NICKEL UNDERPLATED
  - ELECTRICAL PERFORMANCE:  
RATED CURRENT: 1.1A/PIN UP TO 12PINS  
LLCR: 30mΩ MAX, DELTA 15 mΩ.  
INSULATION RESISTANCE: 1000MΩ MIN
  - DURABILITY: 200 CYCLES.
  - MATERIAL SHOULD BE FULFILLED AMPHENOL SPEC#S-SN-002 AND S-SN-004
  - ORDERING PN SYSTEM ME101681340110X

- PLATING SPEC
- 0.76um Au
  - 0.38um Au
  - GOLD FLASH
  - PdNi 0.76um+G/F



## PROPOSAL DRAWING

UNLESS OTHERWISE SPECIFIED TOLERANCES	
U.S.	METRIC
.X +/-	0.25
.XX +/-	0.20
.XXX +/-	0.15
FRACTIONS +/-	
ANGLES +/-	5°

APPROVAL		DATE
DRAWN	Teng.Cao	Nov.08,2018
CHECKED	Ly.Yi	Nov.08,2018
APPROVED		

DRAWING FILE :	
INTERNAL\ME\C ME101681340110X	
ANGLE OF PROJECTION	

**Amphenol**

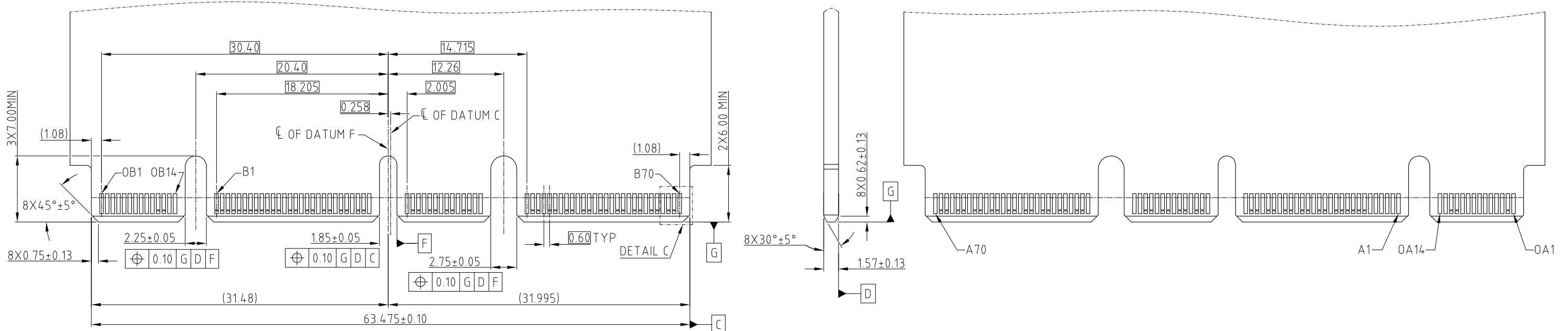
TITLE  
**MINI COOL EDGE CONNECTOR  
 168P S/M MATE 1.57 HOST PCB**

SIZE	DRAWING NO.	REV.
A3	C ME101681340110X	4
SCALE	NONE	SHEET 1 OF 2

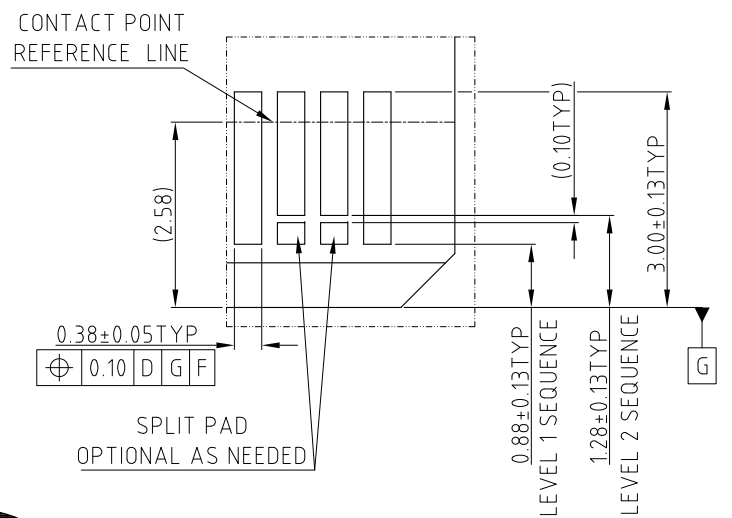
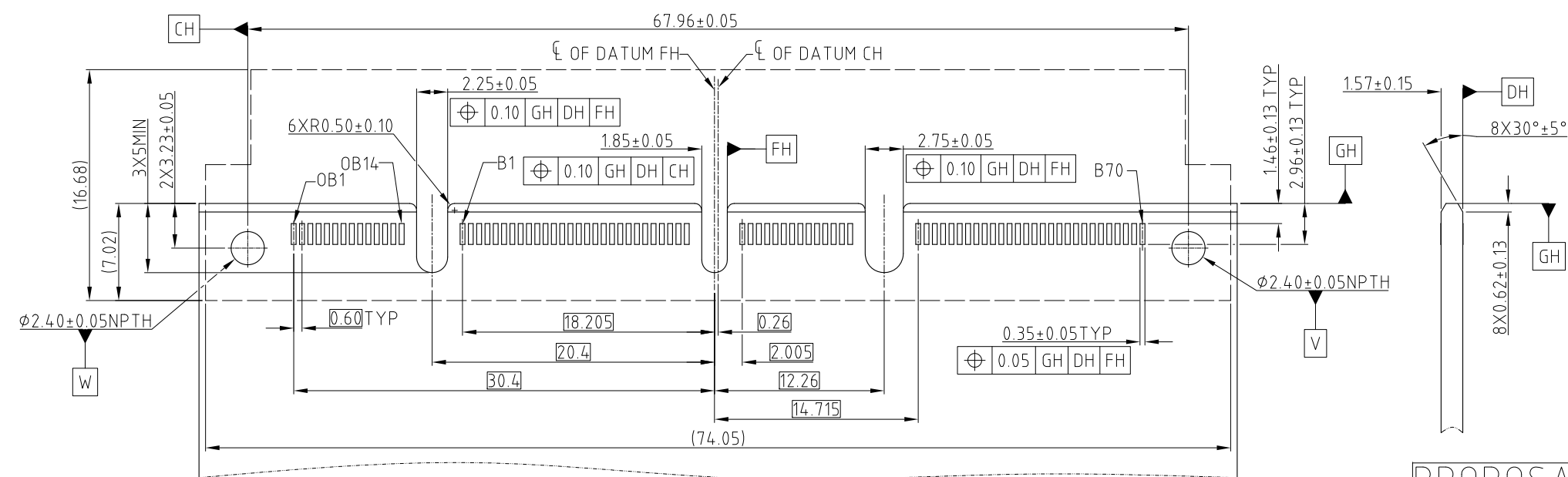
This document is the property of Amphenol Corporation and is delivered on the express condition that it is not to be disclosed, reproduced or used, in whole or in part, for manufacture or sale by anyone other than Amphenol Corporation without its prior consent, & that no right is granted to disclose or to use any information in this document.

CUSTOMER DRAWING

REVISIONS				
SYM	ECN	DESCRIPTION	DATE	APPROVED
		SEE SHEET 1		



RECOMMENDED AIC MATING CARD



DETAIL C SCALE 4:1



PROPOSAL DRAWING

UNLESS OTHERWISE SPECIFIED TOLERANCES		APPROVAL	DATE	Amphenol			
.X	+/- 0.25	DRAWN	Teng.Cao			Nov.08,2018	
.XX	+/- 0.20	CHECKED	Ly.Yi			Nov.08,2018	
.XXX	+/- 0.15	APPROVED					
FRACTIONS	+/- 5°	DRAWING FILE :		TITLE			
ANGLES	+/-	INTERNAL\ME\C ME101681340110X		MINI COOL EDGE CONNECTOR			
FOR MATERIALS AND FINISHES SEE NOTES		ANGLE OF PROJECTION		168P S/M MATE 1.57 HOST PCB			
REMOVE SHARP EDGES				SIZE			
DIMENSIONS				DRAWING NO.		REV.	
—U.S.— INCHES				A3 C ME101681340110X		4	
(METRIC) (mm)		SCALE		SHEET 2 OF 2			
		NONE					

NOTE: POSITION A1 ON THE OPPOSITE SIDE OF CARD OF B1 RECOMMENDED FOOTPRINT