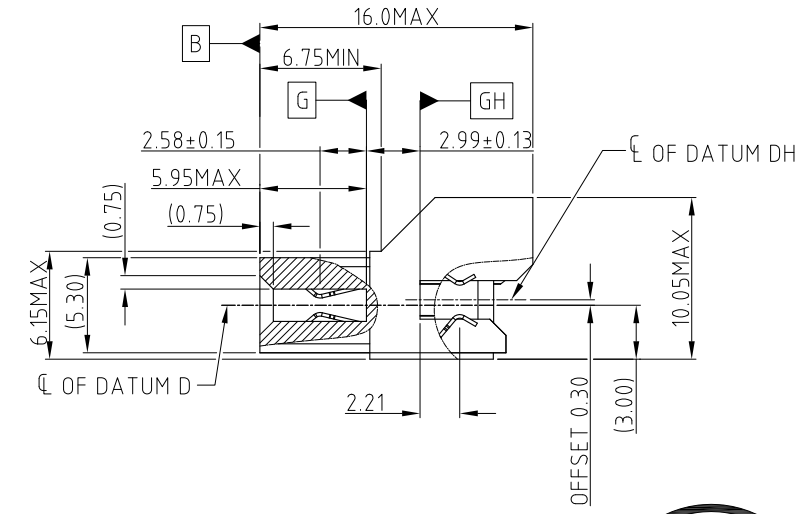
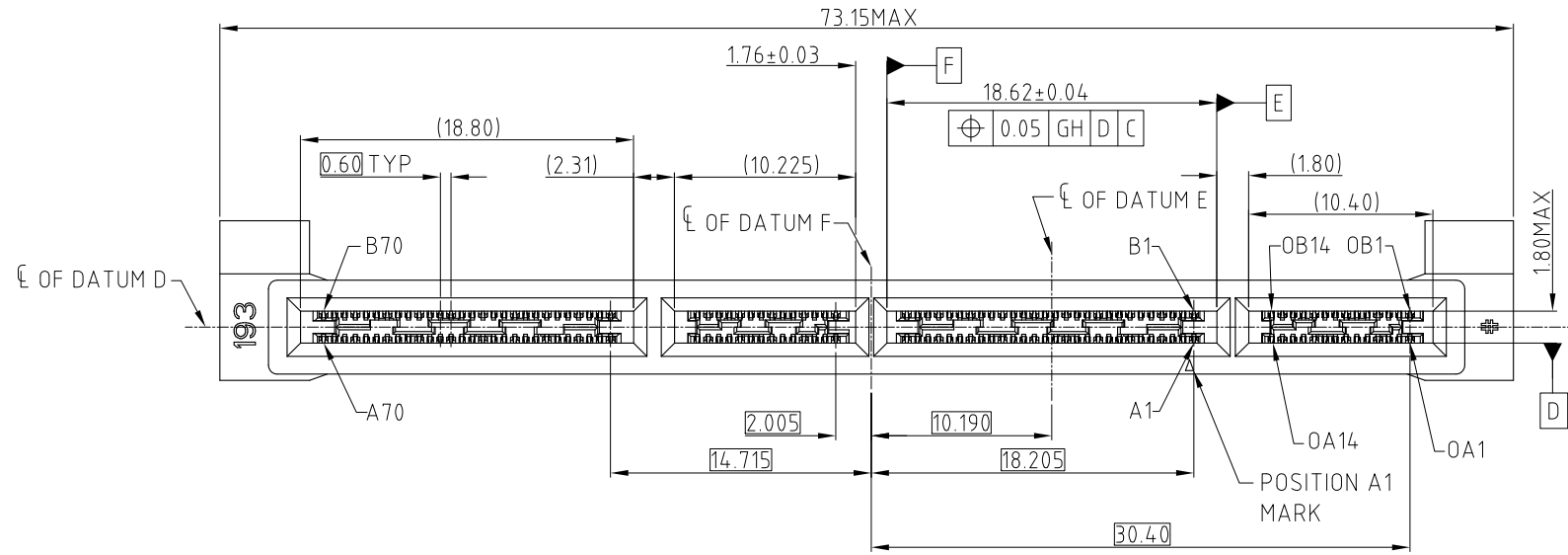


This document is the property of Amphenol Corporation and is delivered on the express condition that it is not to be disclosed, reproduced or used, in whole or in part, for manufacture or sale by anyone other than Amphenol Corporation without its prior consent, & that no right is granted to disclose or to use any information in this document.

CUSTOMER DRAWING

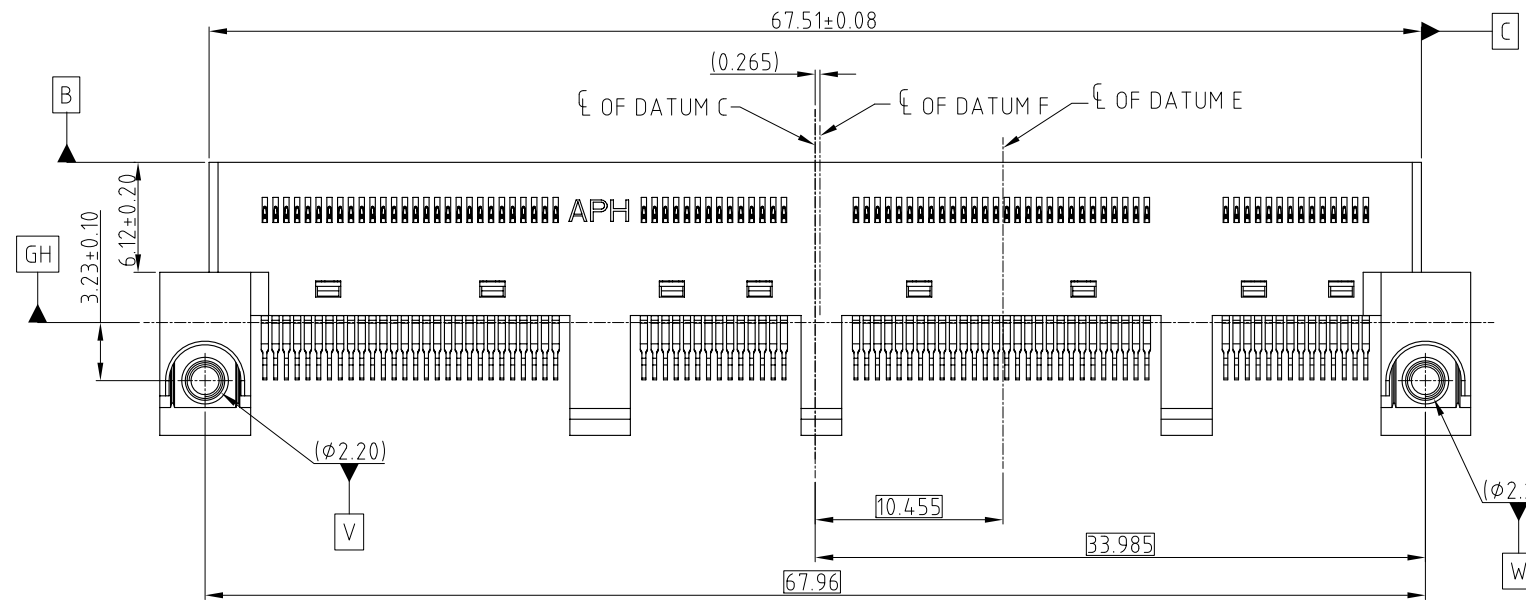
REVISIONS

SYM	ECN	DESCRIPTION	DATE	APPROVED
12	CDXXXX	REVISE THE PCB THICKNESS TOLERANCE	Aug.16,2018	YH
13	CDXXXX	UPDATED BY SFF TA 1002 REV 1.1.3	Nov.08,2018	YH



NOTE:

1. MATERIAL:
HOUSING: HIGH TEMPERATURE THERMOPLASTIC BLACK UL94-V0
CONTACT: COPPER ALLOY
NUT: STAINLESS STEEL
2. PLATING:
CONTACT: MATING AREA: Au THICKNESS PLEASE REFER TO PN SYSTEM, 1.27-2.54 µm NICKEL UNDERPLATED
SOLDER AREA: 1.27 µm MIN TIN OVER 1.27-2.54 µm NICKEL UNDERPLATED
3. ELECTRICAL PERFORMANCE:
RATED CURRENT: 1.1A/PIN UP TO 12PINS
LLCR: 30mΩ MAX, DELTA 15 mΩ.
INSULATION RESISTANCE: 1000MΩ MIN
4. DURABILITY: 200 CYCLES.
5. MATERIAL SHOULD BE FULFILLED AMPHENOL SPEC#S-SN-002 AND S-SN-004
6. ORDERING PN SYSTEM ME101681340131X

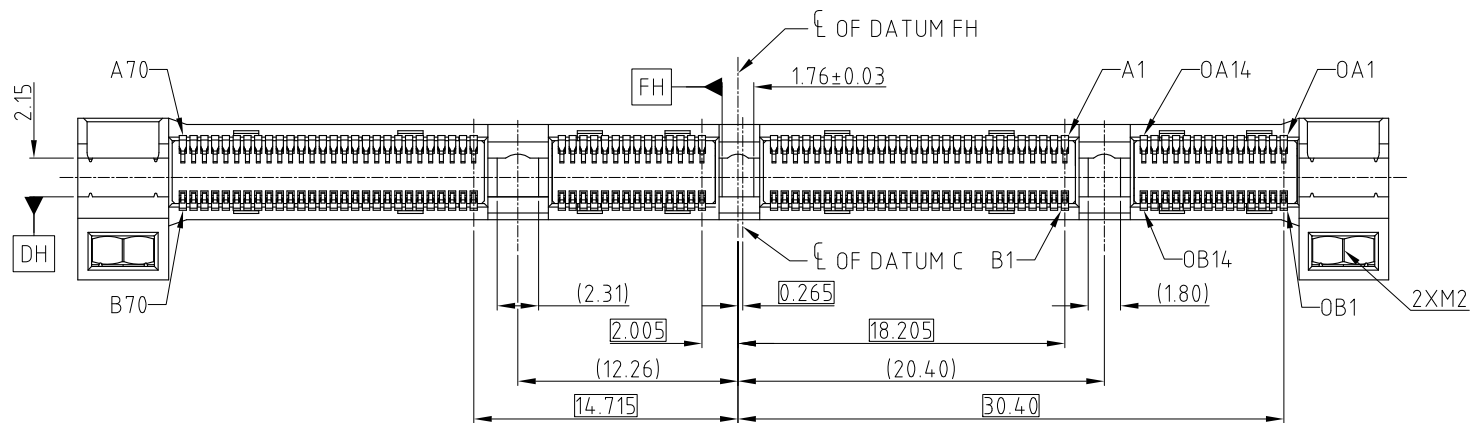


PROPOSAL DRAWING

UNLESS OTHERWISE SPECIFIED TOLERANCES		APPROVAL	DATE
.X	+/-	Teng.Cao	Nov.08,2018
.XX	+/-		
.XXX	+/-		
FRACTIONS +/-		CHECKED	Ly.Yi
ANGLES +/-		APPROVED	Nov.08,2018
FOR MATERIALS AND FINISHES SEE NOTES		DRAWING FILE :	
REMOVE SHARP EDGES		INTERNAL\ME\C ME101681340131X	
DIMENSIONS		ANGLE OF PROJECTION	
-U.S.-	INCHES		
(METRIC)	(mm)		

- PLATING SPEC
- 1 0.76um Au
 - 2 0.38um Au
 - 3 GOLD FLASH
 - 4 PdNi 0.76um+G/F

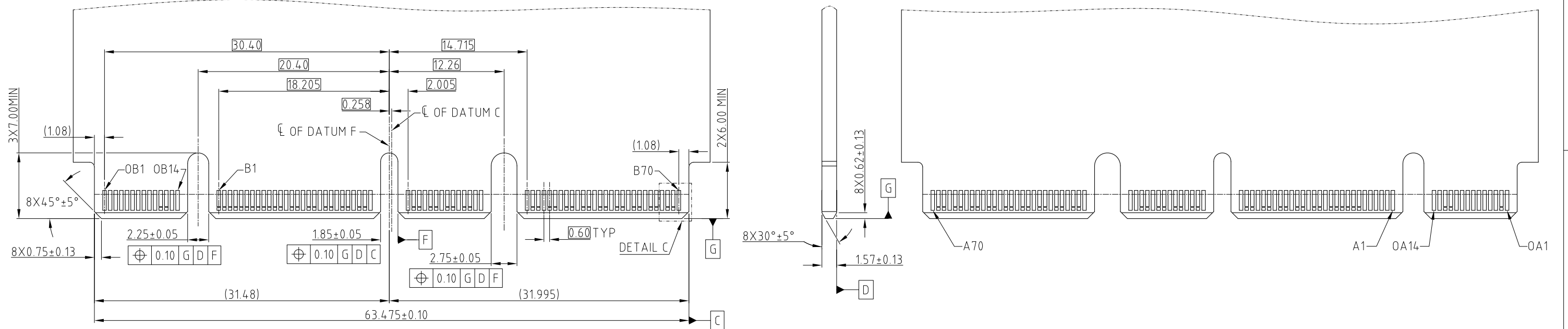
Amphenol		
TITLE MINI COOL EDGE CONNECTOR 168P S/M MATE 1.93 HOST PCB		
SIZE A3	DRAWING NO. C ME101681340131X	REV. 13
SCALE	NONE	SHEET 1 OF 2



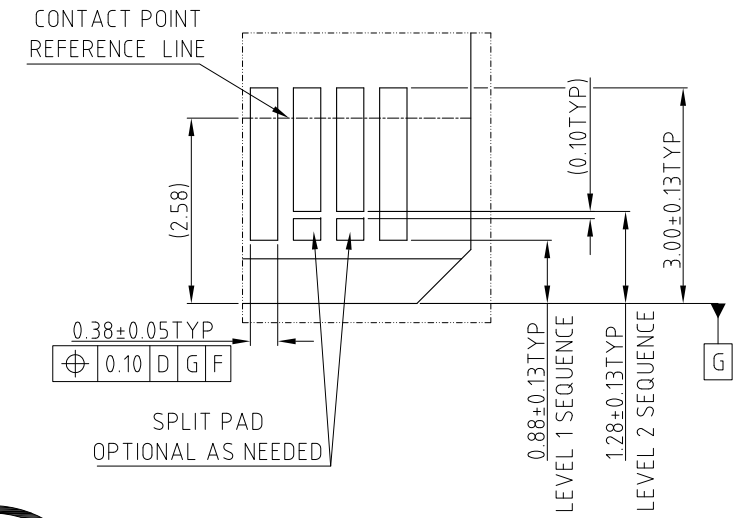
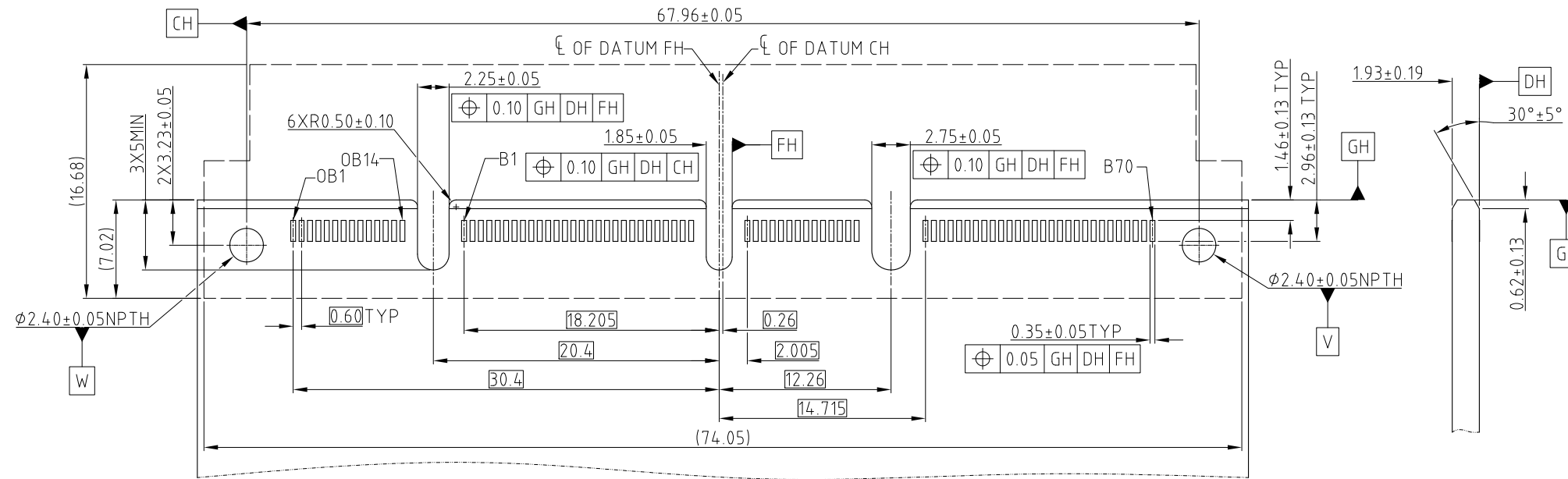
This document is the property of Amphenol Corporation and is delivered on the express condition that it is not to be disclosed, reproduced or used, in whole or in part, for manufacture or sale by anyone other than Amphenol Corporation without its prior consent, & that no right is granted to disclose or to use any information in this document.

CUSTOMER DRAWING

REVISIONS				
SYM	ECN	DESCRIPTION	DATE	APPROVED
		SEE SHEET 1		



RECOMMENDED AIC MATING CARD



SPLIT PAD
OPTIONAL AS NEEDED

DETAIL C
SCALE 4:1



NOTE: POSITION A1 ON THE OPPOSITE SIDE OF CARD OF B1
RECOMMENDED FOOTPRINT

PROPOSAL DRAWING

UNLESS OTHERWISE SPECIFIED TOLERANCES U.S. METRIC .X +/- 0.25 .XX +/- 0.20 .XXX +/- 0.15 FRACTIONS +/- 5° ANGLES +/- 5° FOR MATERIALS AND FINISHES SEE NOTES REMOVE SHARP EDGES DIMENSIONS —U.S.— INCHES (METRIC) (mm)	APPROVAL DRAWN Teng.Cao CHECKED Ly.Yi APPROVED	DATE Nov.08,2018 Nov.08,2018	Amphenol TITLE MINI COOL EDGE CONNECTOR 168P S/M MATE 1.93 HOST PCB SIZE DRAWING NO. REV. A3 C ME101681340131X 13 SCALE NONE SHEET 2 OF 2
	DRAWING FILE : INTERNAL\ME\C ME101681340131X		
	ANGLE OF PROJECTION 		