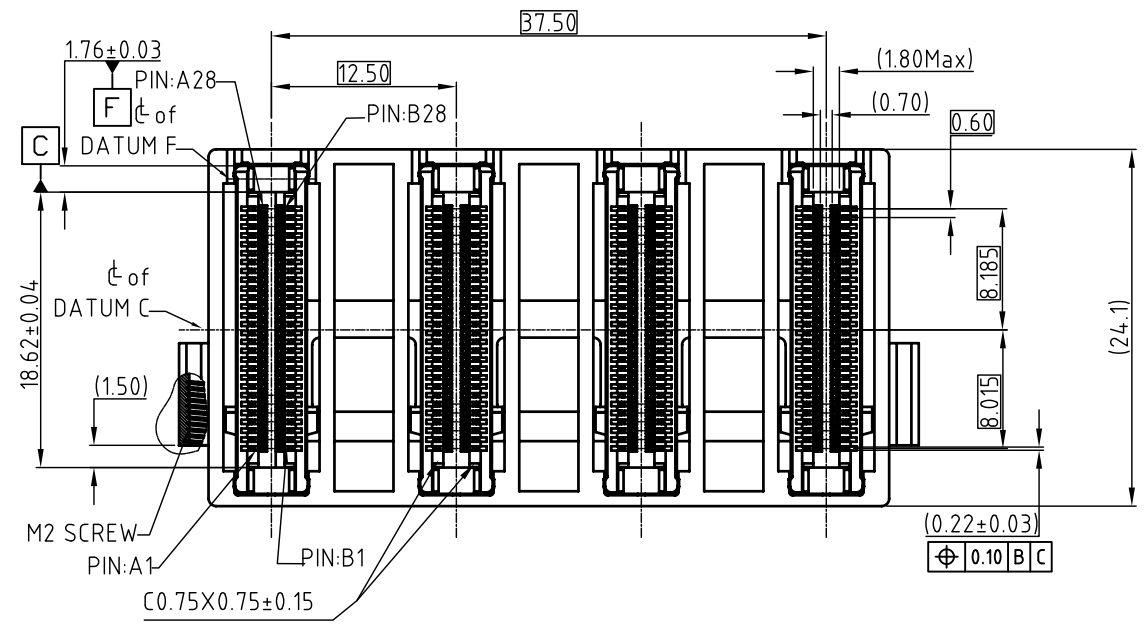
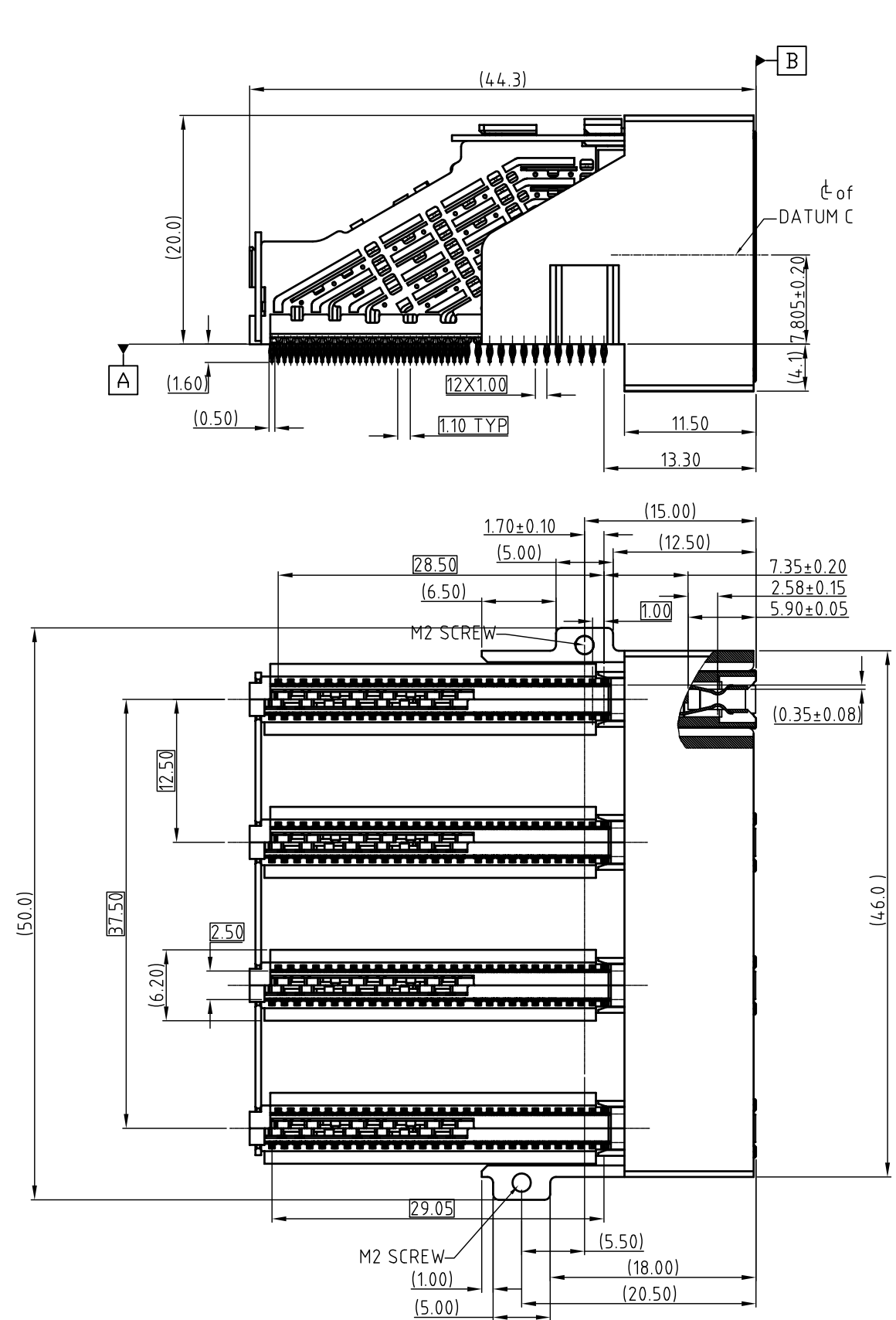


This document is the property of Amphenol Corporation and is delivered on the express condition that it is not to be disclosed, reproduced or used, in whole or in part, for manufacture or sale by anyone other than Amphenol Corporation without its prior consent, & that no right is granted to disclose or to use any information in this document.

CUSTOMER DRAWING

REVISIONS				
SYM	ECN	DESCRIPTION	DATE	APPROVED
10	N/A	Added dimension	Apr.08,2018	YH
11	N/A	Added PCB thickness information	Aug.16,2018	YH
12	N/A	Added dimension	Aug.17,2018	YH



PART NUMBER SYSTEM
ME200560231104X

- PLATING SPEC
- 0.76um Au Min over 1.27um Min Ni.
 - 0.38um Au Min over 1.27um Min Ni.
 - 1.27um Au Min over 1.27um Min Ni.



UNLESS OTHERWISE SPECIFIED TOLERANCES	
U.S.	METRIC
.X +/-	0.25
.XX +/-	0.20
.XXX +/-	0.15
FRACTIONS +/-	
ANGLES +/-	2°

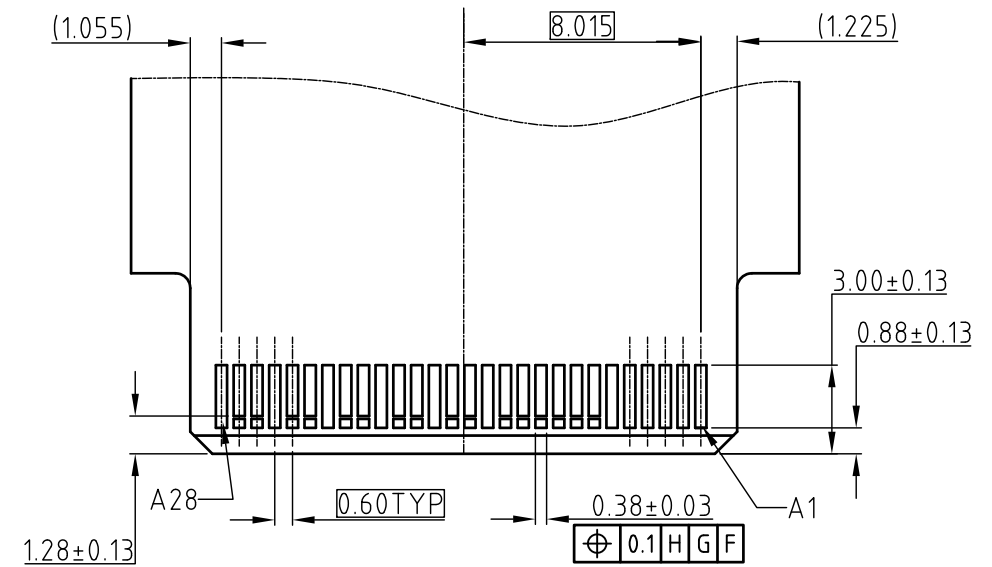
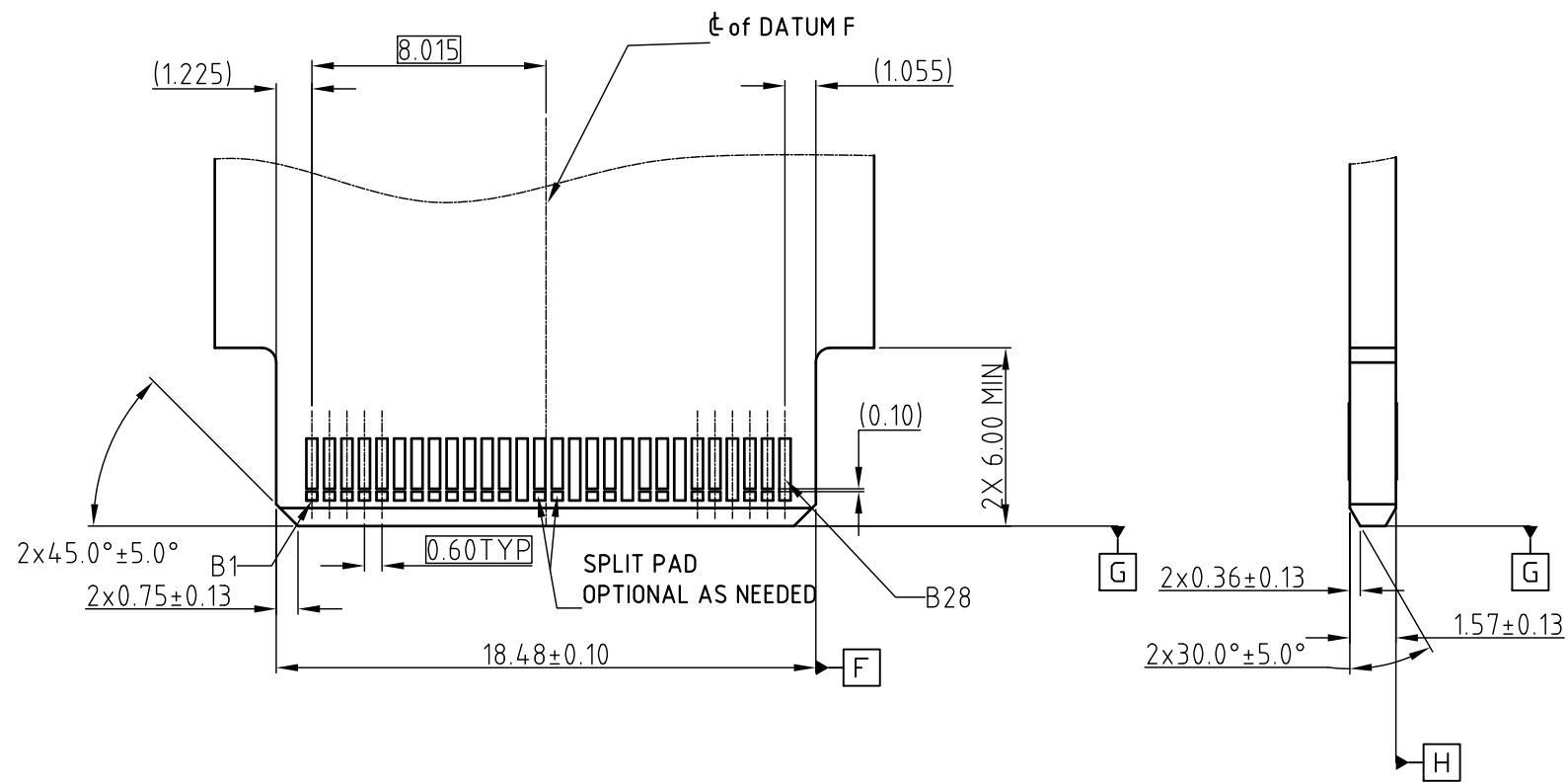
APPROVAL		DATE
DRAWN	XG.LJU	Aug.17,2018
CHECKED		
APPROVED		
DRAWING FILE :		
Internal_DRAWING\OE\C ME200560231104X.dwg		
ANGLE OF PROJECTION		

Amphenol		
TITLE		
56pin_0.6mmpitch_1x4 orthogonal MINI CoolEdge Connector 85 Ohm		
SIZE	DRAWING NO.	REV.
A3 C	ME200560231104X	12
SCALE	NONE	SHEET 1 OF 4

This document is the property of Amphenol Corporation and is delivered on the express condition that it is not to be disclosed, reproduced or used, in whole or in part, for manufacture or sale by anyone other than Amphenol Corporation without its prior consent, & that no right is granted to disclose or to use any information in this document.

CUSTOMER DRAWING

REVISIONS				
SYM	ECN	DESCRIPTION	DATE	APPROVED



RECOMMENDED LAY OUT FOR MATING CARD, THICKNESS=1.57mm
 GENERAL TOLERANCE ±0.05
 FOLLOW EDSFF SPEC

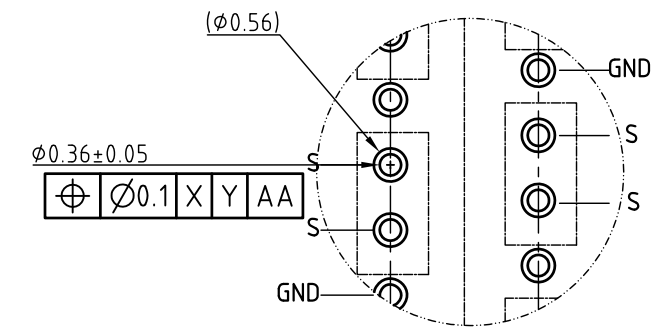
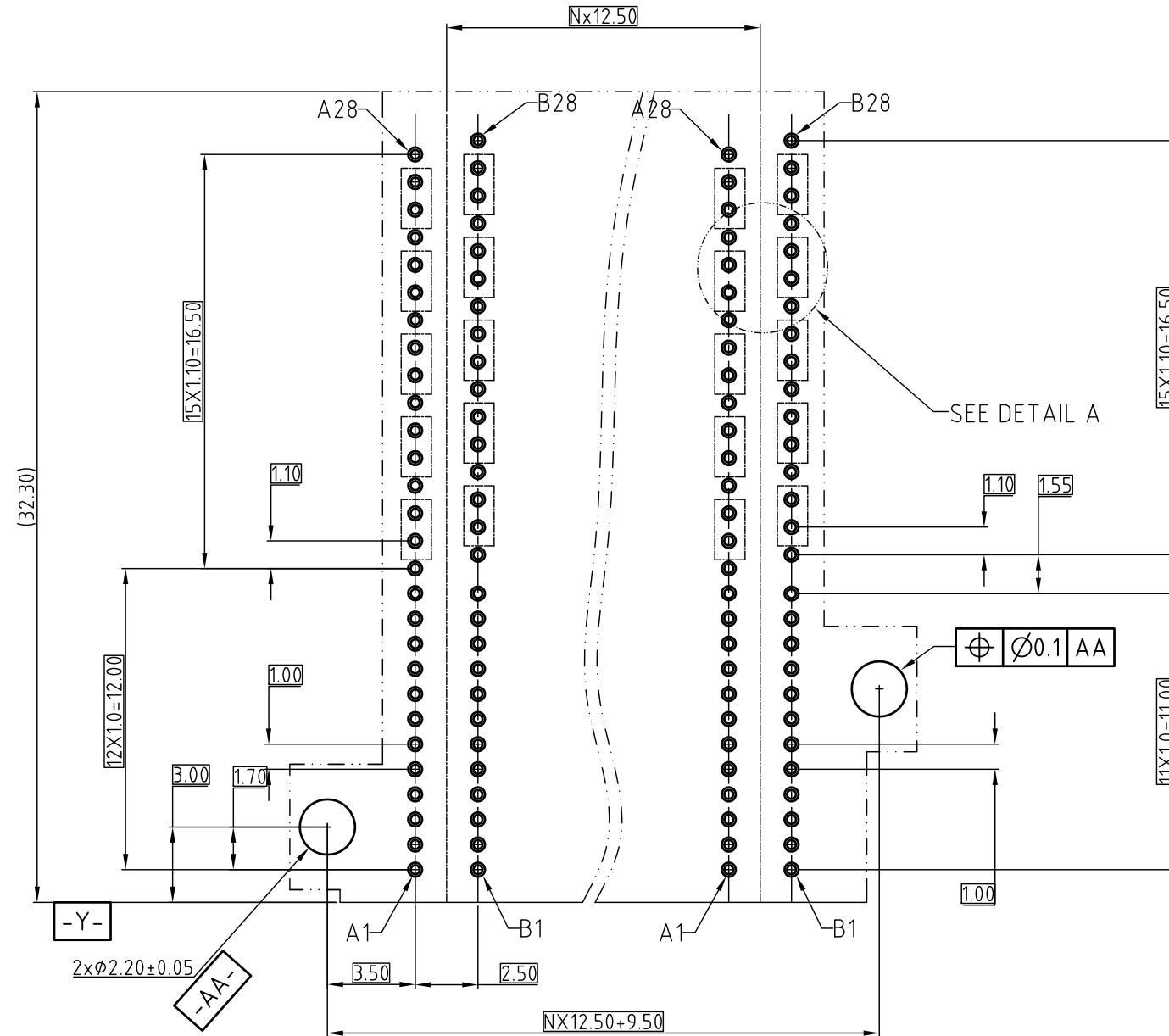


UNLESS OTHERWISE SPECIFIED TOLERANCES U.S. METRIC .X +/- 0.10 .XX +/- 0.05 .XXX +/- 0.03 FRACTIONS +/- ANGLES +/- 0.5° FOR MATERIALS AND FINISHES SEE NOTES REMOVE SHARP EDGES DIMENSIONS —U.S.— INCHES (METRIC) (mm)	APPROVAL		DATE	Amphenol TITLE 56pin_0.6mmpitch_1x4 orthogonal MINI CoolEdge Connector 85 Ohm SIZE DRAWING NO. REV. A3 C ME200560231104X 12 SCALE NONE SHEET 2 OF 4
	DRAWN	XG.LJU	Aug.17,2018	
	CHECKED			
	APPROVED			
	DRAWING FILE :			
	ANGLE OF PROJECTION			

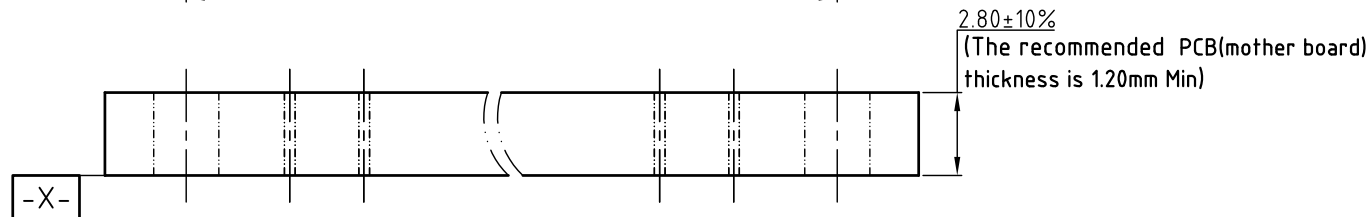
This document is the property of Amphenol Corporation and is delivered on the express condition that it is not to be disclosed, reproduced or used, in whole or in part, for manufacture or sale by anyone other than Amphenol Corporation without its prior consent, & that no right is granted to disclose or to use any information in this document.

CUSTOMER DRAWING

REVISIONS				
SYM	ECN	DESCRIPTION	DATE	APPROVED



DETAIL A
SCALE 2:1



PLATING TYPE	COPPER OSP
DRILL HOLE φ	0.40 - 0.46
Cu PLATING NOTE 1	0.025-0.045
FINISH HOLE	0.31 - 0.41

Bracket Option
RECOMMENDED PCB LAYOUT
FOR DIFFERENTIAL APPLICATIONS
COMPONENT SIDE
GENERAL TOLERANCE ±0.05



UNLESS OTHERWISE SPECIFIED TOLERANCES	
U.S.	METRIC
.X +/-	0.10
.XX +/-	0.05
.XXX +/-	0.03
FRACTIONS +/-	0.5°
ANGLES +/-	0.5°

FOR MATERIALS AND FINISHES SEE NOTES

REMOVE SHARP EDGES
DIMENSIONS
—U.S.— INCHES
(METRIC) (mm)

APPROVAL		DATE
DRAWN	XG.LJU	Aug.17,2018
CHECKED		
APPROVED		
DRAWING FILE :		
Infernal_DRAWING\OE\C ME200560231104X.dwg		
ANGLE OF PROJECTION		

Amphenol

TITLE
56pin_0.6mmpitch_1x4 orthogonal
MINI CoolEdge Connector 85 Ohm

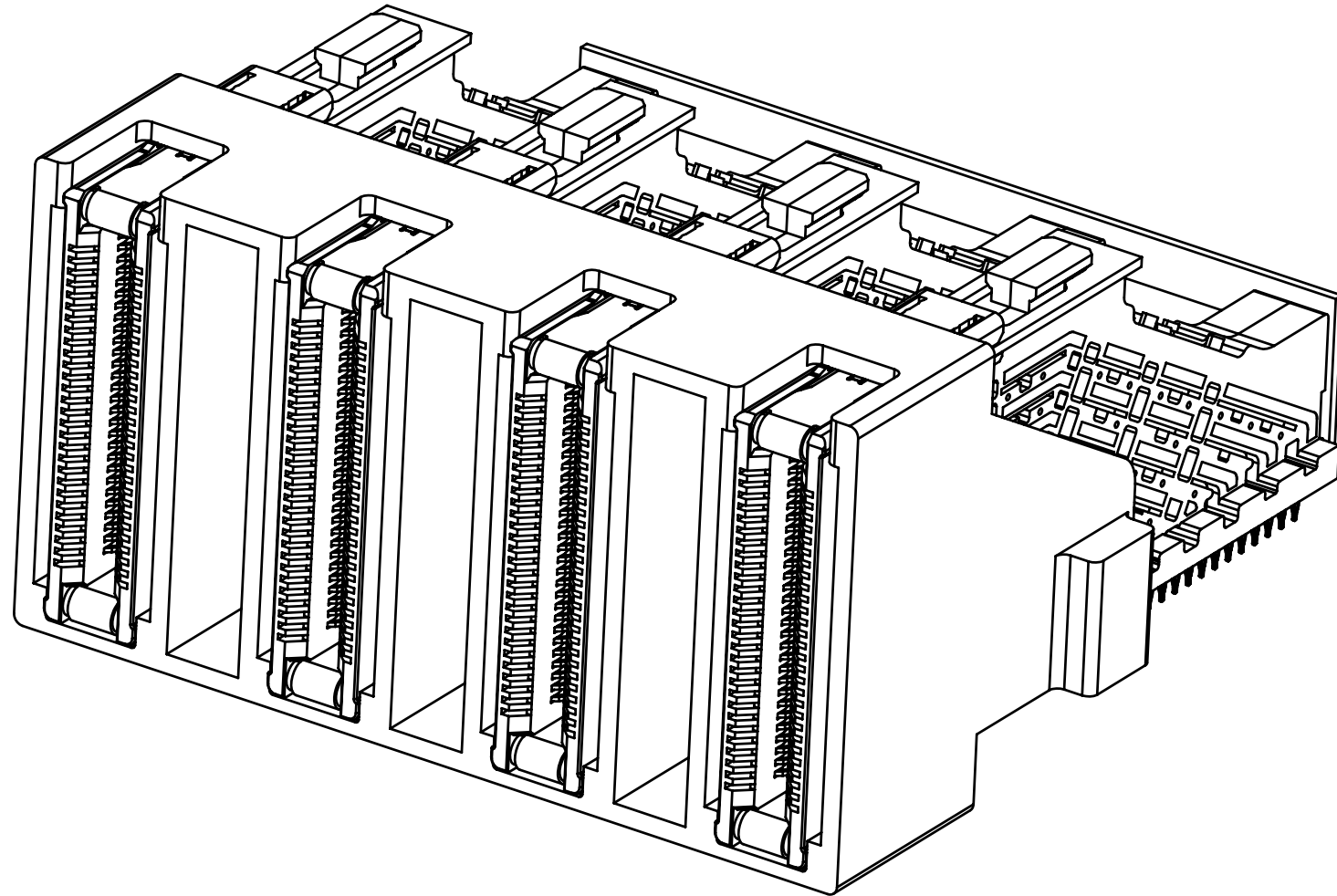
SIZE	DRAWING NO.	REV.
A3	C ME200560231104X	12
SCALE	NONE	SHEET 3 OF 4

This document is the property of Amphenol Corporation and is delivered on the express condition that it is not to be disclosed, reproduced or used, in whole or in part, for manufacture or sale by anyone other than Amphenol Corporation without its prior consent, & that no right is granted to disclose or to use any information in this document.

CUSTOMER DRAWING

REVISIONS				
SYM	ECN	DESCRIPTION	DATE	APPROVED

- NOTES:
- CONNECTOR MATERIALS:
 HOUSING: HIGH TEMP THERMOPLASTIC,NATURAL,UL94V-0
 IMLA PLASTIC: HIGH TEMP THERMOPLASTTIC,BLACK,UL94V-0
 SHIELD: CONDUCTIVE HIGH TEMP THERMOPLASTTIC BLACK UL94-V0
 CONTACT: COPPER ALLOY
 METAL KEY: COPPER ALLOY
 METAL FRAMEWORK:ZN ALLOY
 METAL STIFFENER:STAINLESS STEEL
 - CONTACT PLATING:
 SEPARABLE INTERFACE: SEE PLATING SPEC OVER 1.27UM MIN NICKEL UNDER PLATED.
 PRESS-FIT TAILS: MATTE TIN OVER 1.27UM MIN NICKEL UNDER PLATED.
 - PRODUCT MARKING,(PARTNUMBER & DATE CODE)
 - MATERIAL SHOULD BE FULFILLED AMPHENOL SPEC # SSN002 AND MEET HALOGEN FREE
 - PCB DRILL HOLE AND PLATING SPEC SEE TABLE 1



UNLESS OTHERWISE SPECIFIED TOLERANCES		APPROVAL		DATE	Amphenol	
	U.S.	METRIC	DRAWN	XG.LJU		
.X	+/-	0.25	CHECKED			TITLE 56pin_0.6mmpitch_1x4 orthogonal MINI CoolEdge Connector 85 Ohm
.XX	+/-	0.20	APPROVED			
.XXX	+/-	0.15	DRAWING FILE :			SIZE
FRACTIONS +/-			Internal_DRAWING_DE/C ME200560231104X.dwg			DRAWING NO.
ANGLES +/-		2°	ANGLE OF PROJECTION			REV.
FOR MATERIALS AND FINISHES SEE NOTES		REMOVE SHARP EDGES				A3C ME200560231104X 12
DIMENSIONS		—U.S.—		INCHES		SCALE
		—U.S.—		INCHES		NONE
		(METRIC)		(mm)		SHEET 4 OF 4