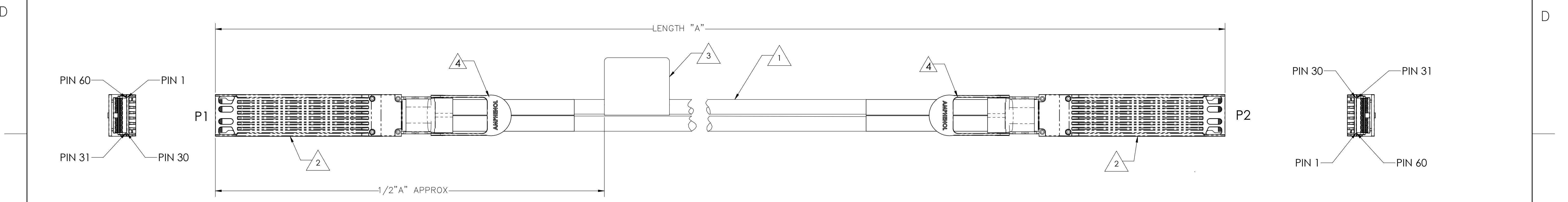
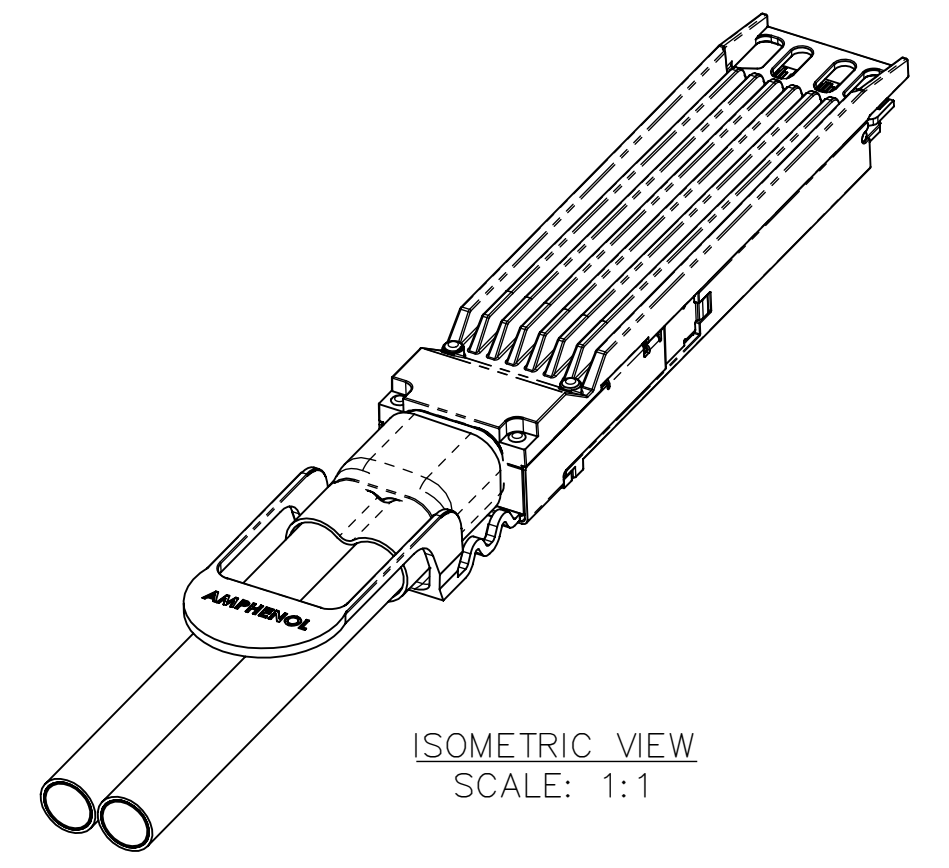
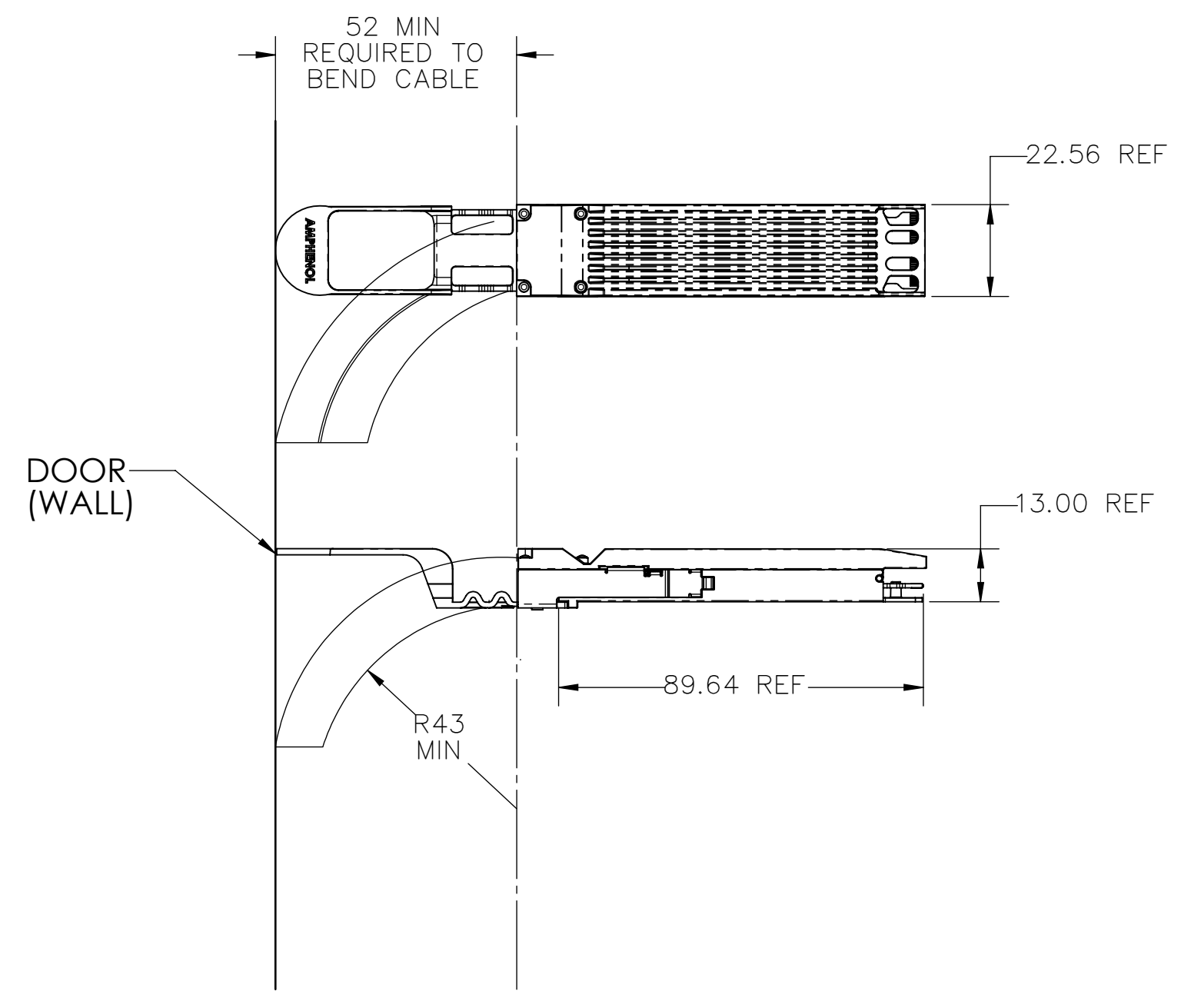


ZONE		REV.	ECN	REVISIONS		BY	DATE	APPROVED
ALL	A	MKHN-18033001		DESCRIPTION	NEW RELEASE	HCL-SH	04/03/2018	M.HUSSAIN

AHSP P/N	LENGTH "A"
NDVVYX-0001	1000±20MM
NDVVYX-0002	2000±40MM
NDVVYX-0003	3000±60MM
NDVVYX-0004	1500±30MM
NDVVYX-0005	2500±50MM



ITEM No.	DESCRIPTION
①	25 AWG, 8-PR, PVC JKT, UL 75°C, CL2 FT4
②	PLUG, OSFP+, REFERENCE "OSFP MSA"
③	LABEL, FLAGGED - AHSP PN, SN, LENGTH
④	PULL TAB, BLUE
6	EPROM - REFERENCE SFF-8636, PAGE A0 ONLY



- NOTES:
- THIS DRAWING IS RESERVED FOR AMPHENOL.
 - ASSEMBLIES SHALL BE COMPLIANT TO OSFP MSA (APPENDIX X) SPECIFICATION.
 - CABLE ASSEMBLIES, COMPONENTS AND SUB-COMPONENTS SHALL BE COMPLIANT TO EU DIRECTIVE 2011/65/EU-RoHS2.
 - CABLE ASSEMBLIES MUST MEET SHIELDING EFFECTIVENESS REQUIREMENTS OF 35DB MINIMUM FROM 1-10GHZ AND 30DB FROM 10-18 GHZ.
 - EPROM CONTENT SHALL BE COMPLIANT WITH OSFP MSA SPECIFICATIONS FOR XXGB ASE-OSFP. EPROM REVISION IS EQUAL TO CUSTOMER PART NUMBER REVISION UNLESS OTHERWISE NOTED.
 - PACKAGE COMPLETED ASSY IN AN APPROPRIATELY SIZED ESD BAG.
 - UL LABEL MUST BE ON SHIPPING CARTON PER SUBJECT 764 OF THE UL COMPONENT WIRING HARNESS (ZPFW2) FILE #E86140. CSA LABEL MUST BE ON SHIPPING CARTON.

RADIUS FROM END OF DIECAST

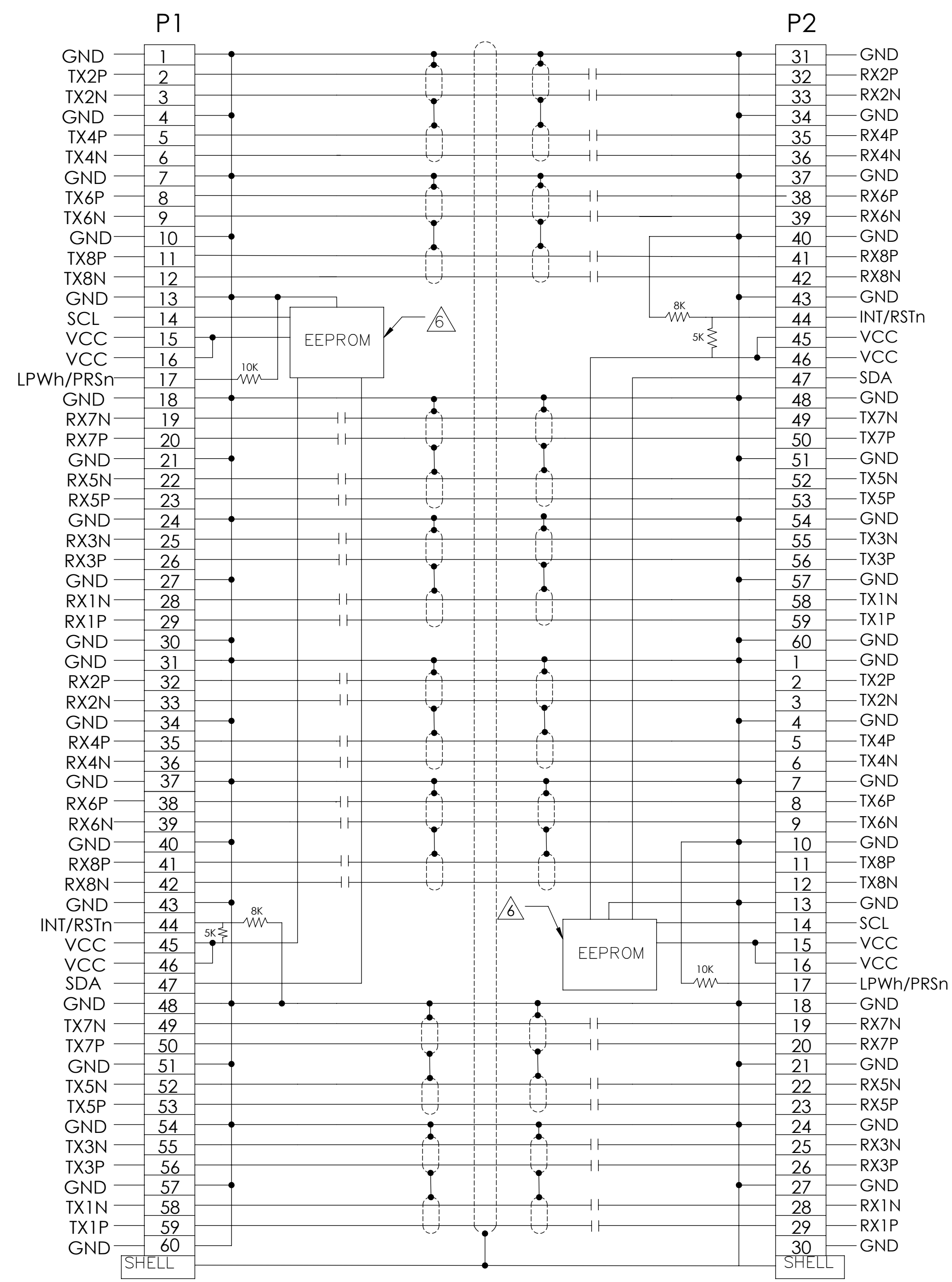
TOLERANCES	DWN 08/11/2017	HCL	Amphenol AHSP A Division of Amphenol Corporation 200 Innovative Way, Suite 201, Nashua, N.H. 03062 (603) 879-3000
0.0 ± 0.1	CHK 08/11/2017	M.HUSSAIN	
0.00 ± 0.08	APVD 08/11/2017	M.AYZENBERG	
0.000 ± -			
ANGLES ± 1.0°	UNLESS OTHERWISE SPECIFIED DIMENSIONS ARE IN MM		TITLE CABLE ASSEMBLY, OSFP, PASSIVE 1000Ω, DUAL-ENTRY 25 AWG



INTERPRET PER ASME Y14.5
CODE IDENT 31413

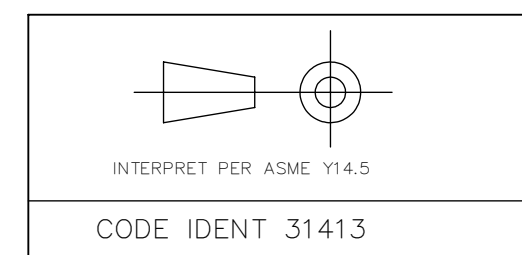
CUSTOMER USE DRAWING		PART NO. SEE TABLE 1	REV N/A
		DRAWING NO. C-NDVVYX-0099	REV A
SIZE D	SCALE 2:1	SHEET 1 OF 2	

REVISIONS						
ZONE	REV.	ECN	DESCRIPTION	BY	DATE	APPROVED
			SEE SHEET 1			



NOTE: DC BLOCKING CAP VALUE IS 100nF

TOLERANCES	DWN 08/11/2017	HCL	Amphenol AHSP A Division of Amphenol Corporation 200 Innovative Way, Suite 201, Nashua, N.H. 03062 (603) 879-3000
0.0 ± 0.1	CHK 08/11/2017	M.HUSSAIN	
0.00 ± 0.08	APVD 08/11/2017	M.AYZENBERG	
0.000 ± -			
ANGLES ± 1.0°			



CUSTOMER USE DRAWING		PART NO. SEE TABLE 1	REV N/A
CODE IDENT 31413		DRAWING NO. C-NDVVYX-0099	REV A
SIZE D	SCALE 1:1	SHEET 2 OF 2	