

TABLE 1	
AHSP P/N	LENGTH "A"
NDYYYY-0001	1000±20MM
NDYYYY-0002	2000±40MM
NDYYYY-0003	3000±60MM ⁸
NDYYYY-0004	1500±30MM
NDYYYY-0005	2500±50MM
NDYYYY-0010	3500±80MM ⁸
NDYYYY-0007	1750±40MM

REVISIONS						
ZONE	REV.	ECN	DESCRIPTION	BY	DATE	APPROVED
	B	DDYR-18052301	ADDED P/N NDDYYYY-0010 TO TABLE 1	HCL-SD	05/24/2018	D.DYER
	C	AL0Z-18082712	CHANGED PIN# FROM 30 TO 38 NEAR P1 SIDE VIEW. SCHEMATIC UPDATED IN SHEET 2. NOTE #2 UPDATED. UPDATED "RADIUS FROM END OF DIECAST" VIEW. IN TABLE 1 LENGTH "A" TOLERANCE VALUE UPDATED FOR ALL P/N's.	HCL-SH	09/11/2018	A.LORENZ
	D	MKHN-19021904	DELETED NOTE #5; ADDED 1.75M LENGTH TO P/N; CHANGED LABEL	HCL-PB	02/22/2019	M.HUSSAIN

NOTE: ONLY THREE MOST RECENT RELEASED REVISION DISPLAYED

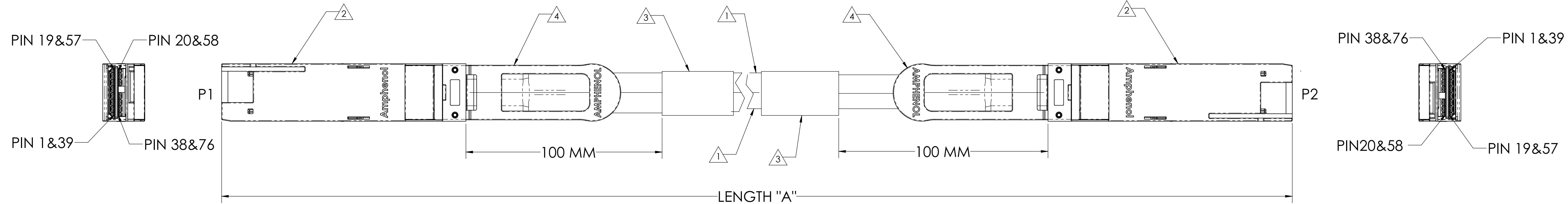
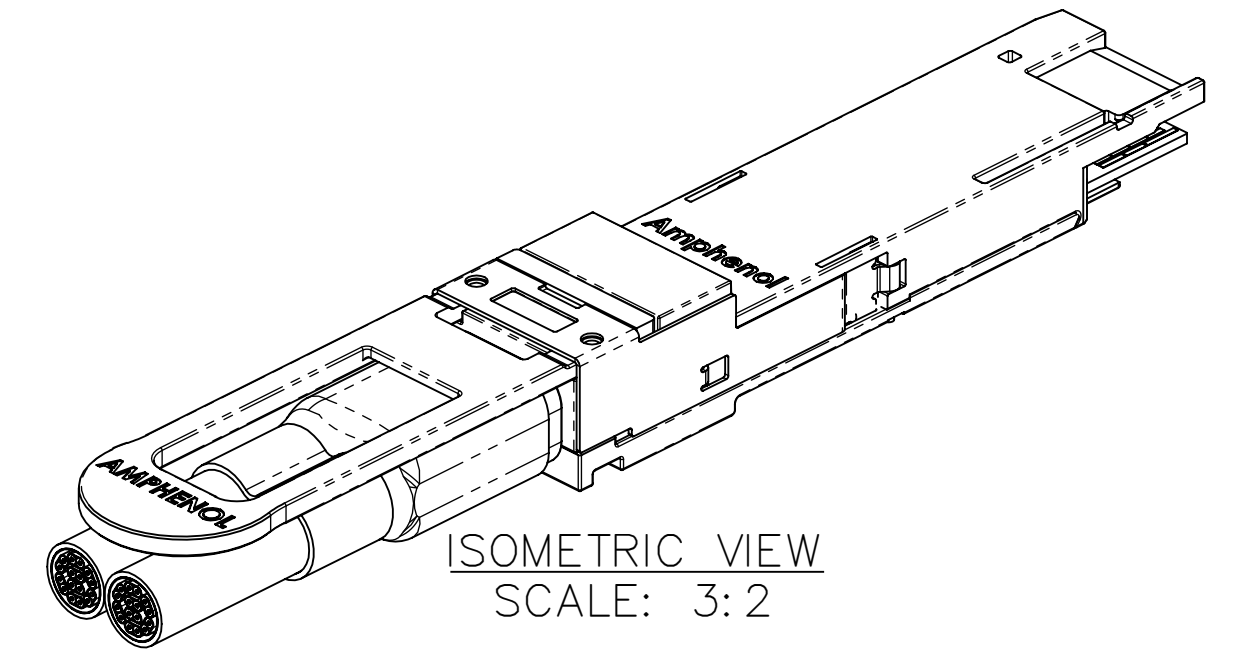
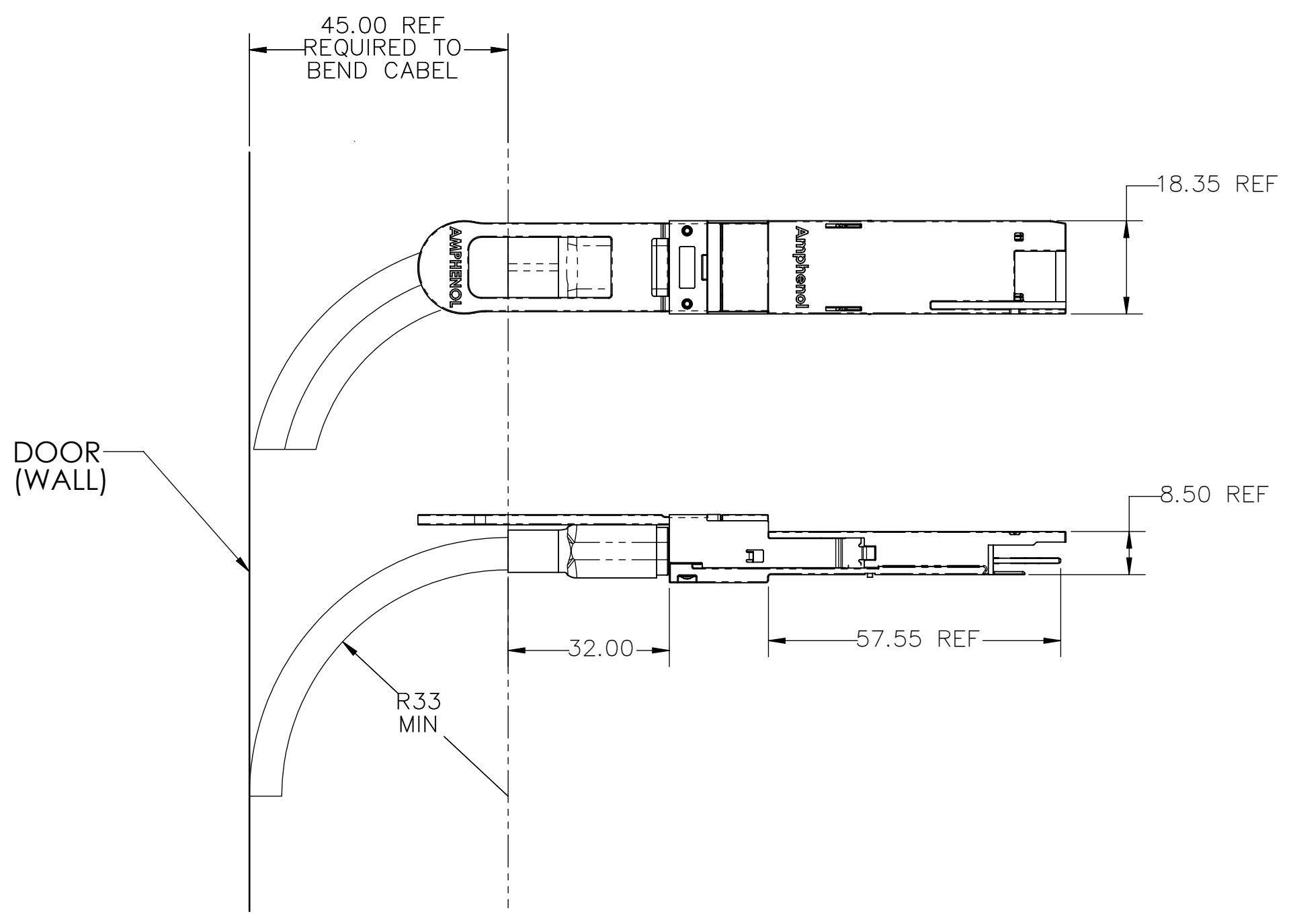
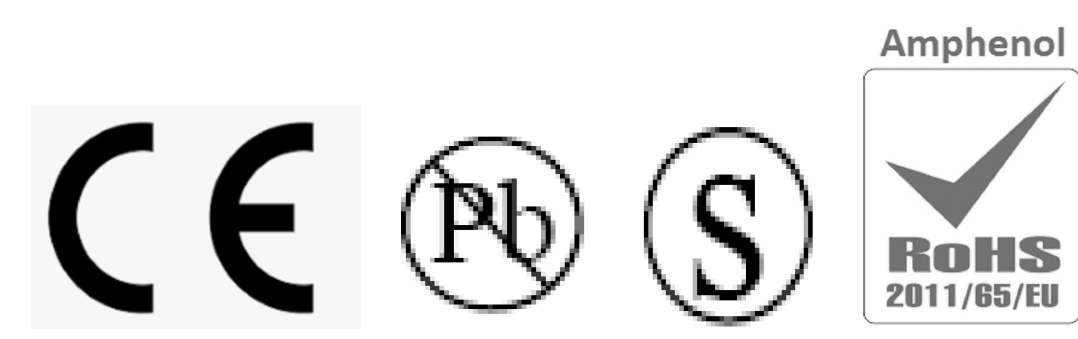


TABLE 2	
ITEM No.	DESCRIPTION
¹	27 AWG, 8-PR, PVC JKT, AWM STYLE 20276 80°C, VW1
²	PLUG, QSFP-DD, REFERENCE "QSFP-DD MSA"
³	LABEL, WRAPPED - AHSP P/N, REV, DATE CODE, LENGTH, CoO, SERIAL NUMBER & WEEE LOGO AND CE LOGO
⁴	PULL TAB, BLUE 2718
5	EPROM - REFERENCE QSFP-DD MSA, PAGE A0 ONLY



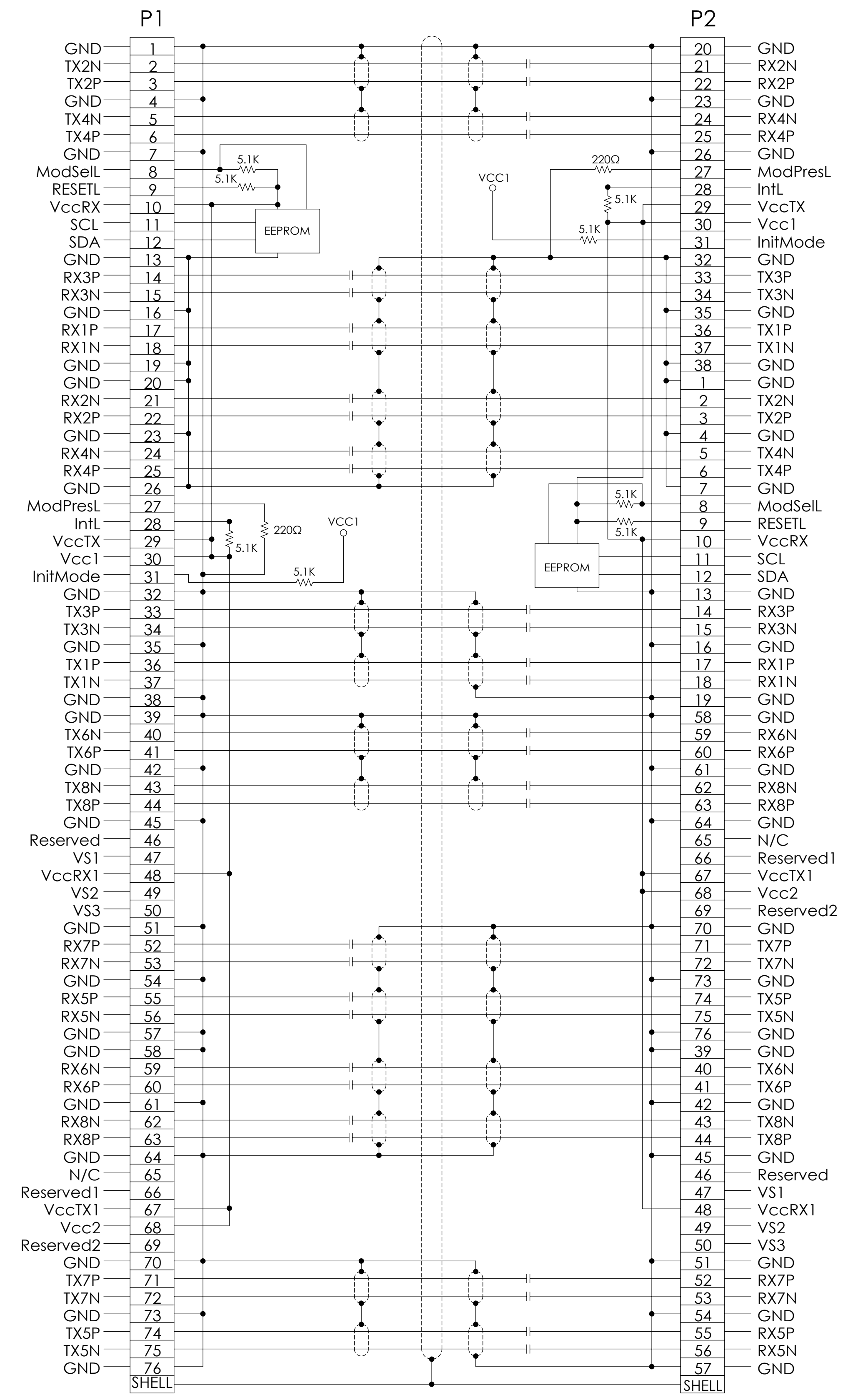
- NOTES:
- THIS DRAWING IS RESERVED FOR AMPHENOL.
 - ASSEMBLIES SHALL BE COMPLIANT TO QSFP-DD MSA SPECIFICATION.
 - CABLE ASSEMBLIES, COMPONENTS AND SUB-COMPONENTS SHALL BE COMPLIANT TO EU DIRECTIVE 2011/65/EU-RoHS2.
 - CABLE ASSEMBLIES MUST MEET SHIELDING EFFECTIVENESS REQUIREMENTS OF 35DB MINIMUM FROM 1-10GHZ AND 30DB FROM 10-18 GHZ.
 - DELETED
 - PACKAGE COMPLETED ASSY IN AN APPROPRIATELY SIZED ESD BAG.
 - UL LABEL MUST BE ON SHIPPING CARTON PER SUBJECT 764 OF THE UL COMPONENT WIRING HARNESS (ZPFW2) FILE #E86140. CSA LABEL MUST BE ON SHIPPING CARTON.
 - ⁸ LENGTHS ABOVE 2.5 M DOES NOT SUPPORT IEEE802.3cd.

RADIUS FROM END OF DIECAST



TOLERANCES		DWN	08/11/2017	Amphenol AHSP	
0.0	± 0.1	CHK	08/11/2017	A Division of Amphenol Corporation	
0.00	± 0.08	APVD	08/11/2017	200 Innovative Way, Suite 201, Nashua, N.H. 03062 (603) 879-3000	
0.000	± -			TITLE	
ANGLES	± 1.0°			CABLE ASSY, QSFP-DD PASSIVE, 100Ω, DUAL-ENTRY 27 AWG	
UNLESS OTHERWISE SPECIFIED DIMENSIONS ARE IN MM				PART NO.	REV
CUSTOMER USE DRAWING				SEE TABLE 1	N/A
				DRAWING NO.	REV
				C-NDYYYY-0099	D
SIZE	D	SCALE	2:1	SHEET 1 OF 2	

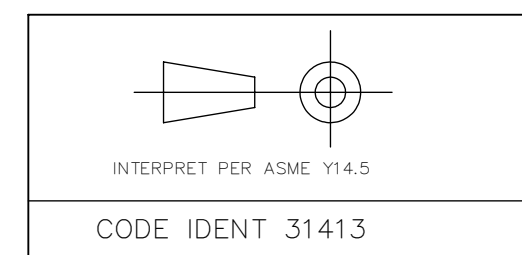
REVISIONS						
ZONE	REV.	ECN	DESCRIPTION	BY	DATE	APPROVED
			SEE SHEET 1			



NOTE: DC BLOCKING CAP VALUE IS 100nF

TOLERANCES		DWN 08/11/2017	HCL
0.0	± 0.1	CHK 08/11/2017	M.HUSSAIN
0.00	± 0.08	APVD 08/11/2017	M.HUSSAIN
ANGLES	± 1.0°	M.HUSSAIN	

UNLESS OTHERWISE SPECIFIED DIMENSIONS ARE IN MM



CUSTOMER USE DRAWING		PART NO. SEE TABLE 1	REV N/A
		DRAWING NO. C-NDYYYYH-0099	REV D
SIZE D	SCALE 1:1	SHEET 2 OF 2	