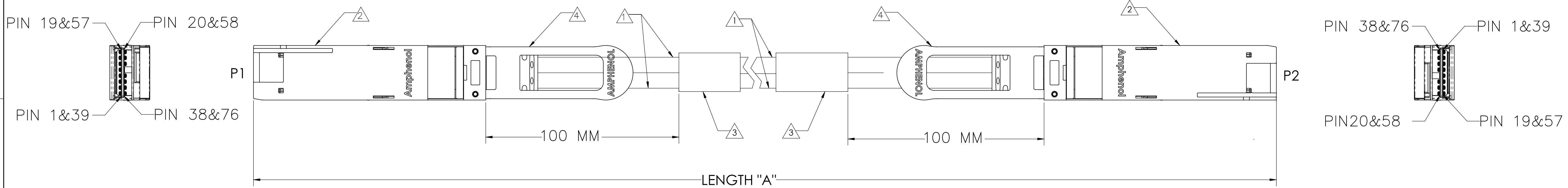


AHSP P/N	LENGTH "A"
NDYYR-0001	1000±20MM
NDYYR-0002	2000±40MM $\Delta$
NDYYR-0004	1500±30MM $\Delta$
NDYYR-0006	500±20MM

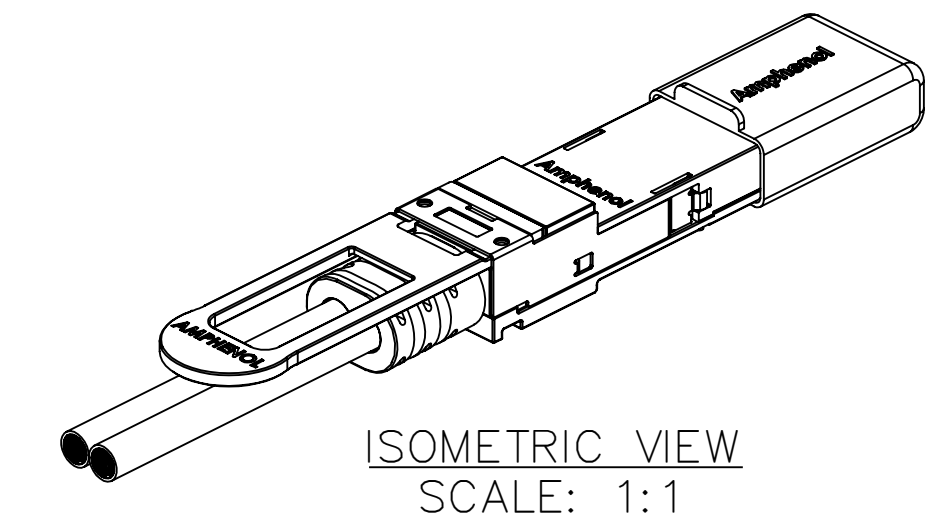
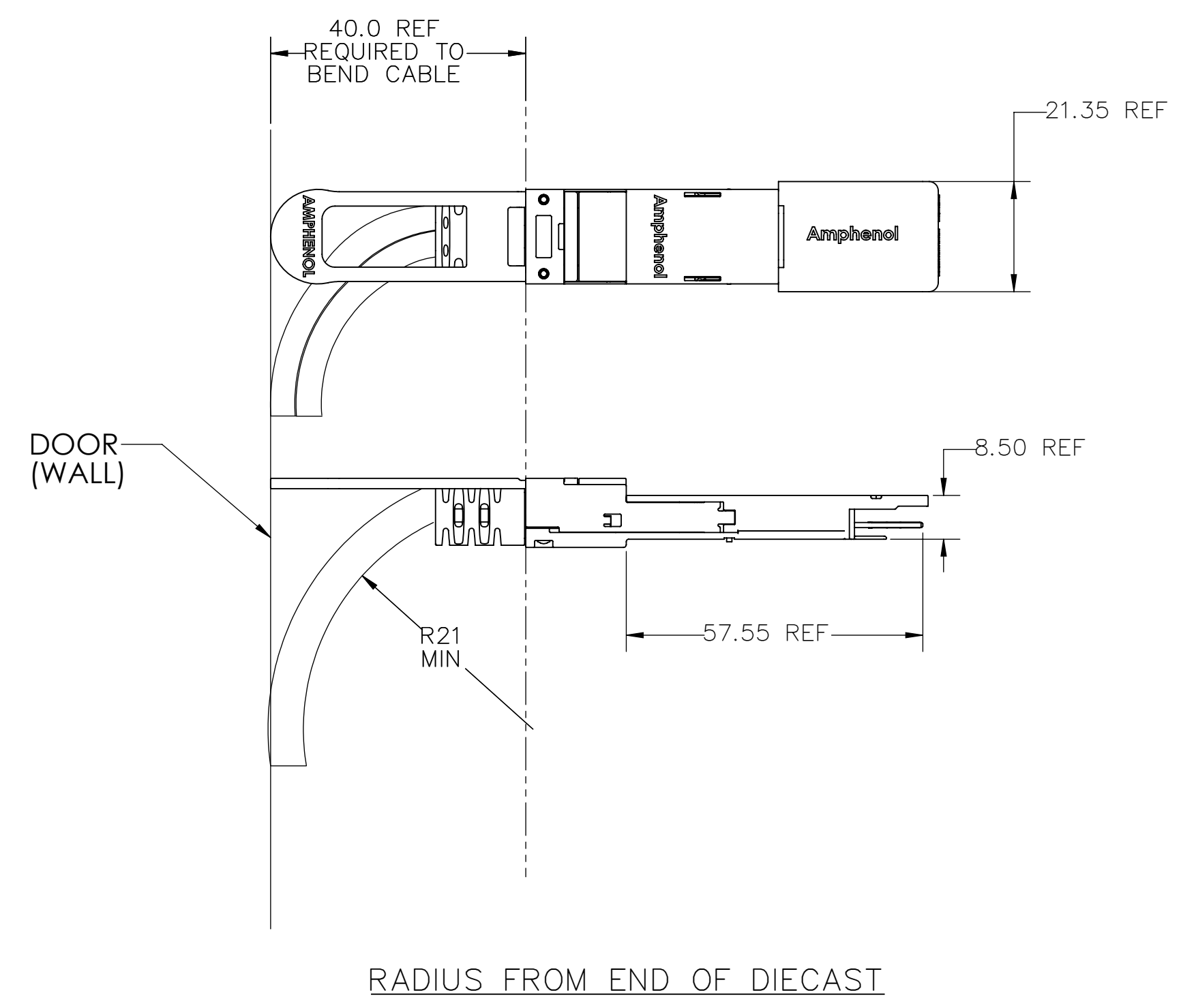
ZONE	REV.	ECN	DESCRIPTION	BY	DATE	APPROVED
	B	MKHN-17122002	DIM 40.0 REF WAS 29.23 MIN DIM R21 MIN WAS R35 MIN	HCL	12/27/2017	M.HUSSAIN
	C	DDYR-18040604	UPDATED NOTE 8 FROM 2.5M TO 1.1M CALL OUT NOTE $\Delta$ ADDED IN TABLE 1 DELETED NOTE 5 IN NOTES.	HCL-SD	04/13/2018	EM
SHT1 C8	D	AL0Z-18082714	PIN# CHANGED FROM 30 TO 38 NEAR P1 SIDE VIEW. NOTE #2 UPDATED. SCHEMATIC UPDATED IN SHEET 2. UPDATED LENGTH "A" TOLERANCE VALUE IN TABLE 1.	HCL-SH	09/12/2018	A.LORENZ

NOTE: ONLY THREE MOST RECENT RELEASED REVISIONS DISPLAYED



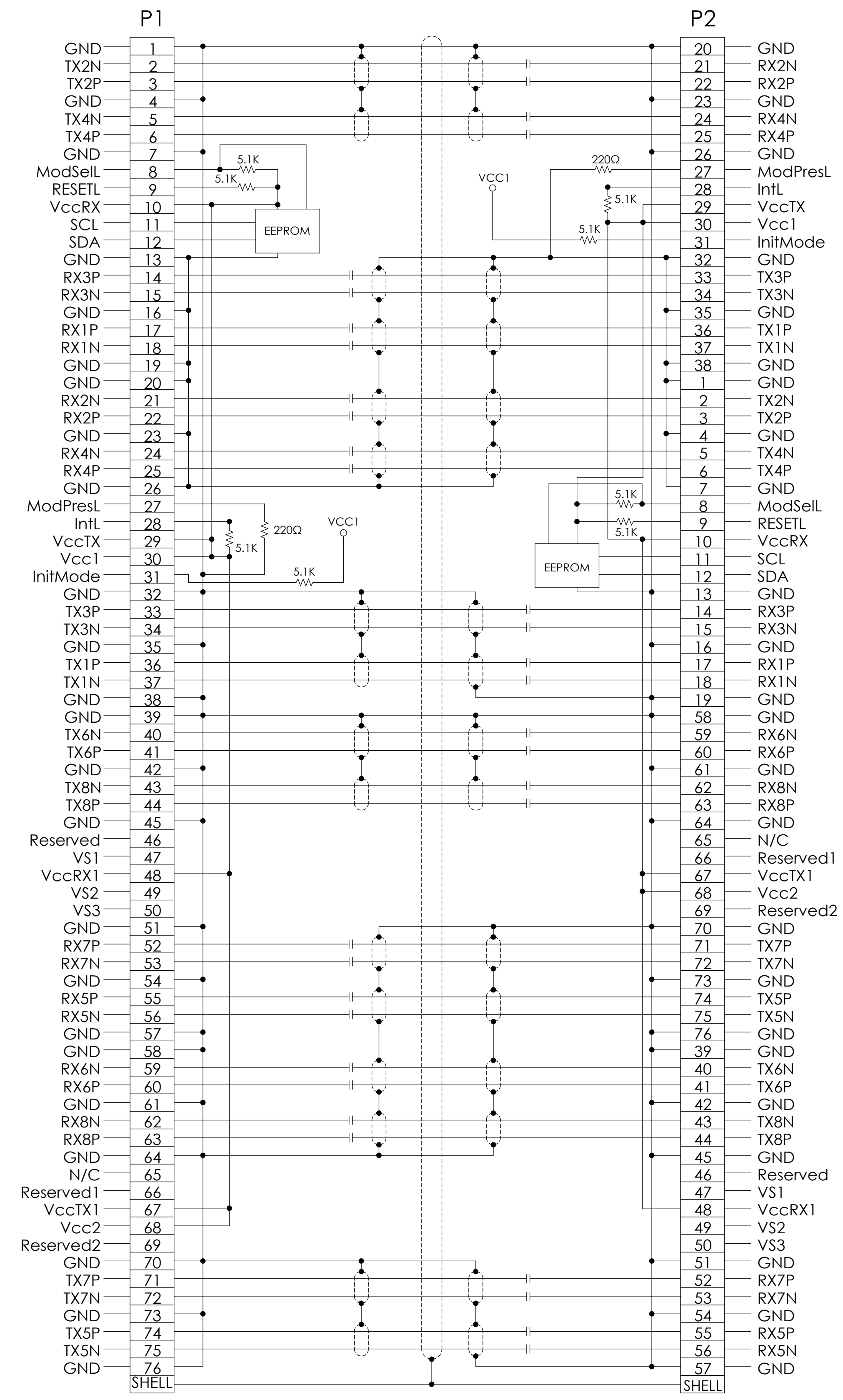
ITEM No.	DESCRIPTION
$\Delta$ 1	32 AWG, 8-PR, SPLITTER, PVC JKT, VW1
$\Delta$ 2	PLUG, QSFP-DD, REFERENCE "QSFP-DD MSA"
$\Delta$ 3	LABEL, WRAPPED-AHSP P/N, REV, DATE CODE, LENGTH, CoO, SERIAL NUMBER & WEEE LOGO AND 'CE' LOGO
$\Delta$ 4	PULL TAB, BLUE 2718
5	EPROM - REFERENCE SFF-8636, PAGE A0 ONLY

- NOTES:
- THIS DRAWING IS RESERVED FOR AMPHENOL.
  - ASSEMBLIES SHALL BE COMPLIANT TO QSFP-DD MSA SPECIFICATION.
  - CABLE ASSEMBLIES, COMPONENTS AND SUB-COMPONENTS SHALL BE COMPLIANT TO EU DIRECTIVE 2011/65/EU-RoHS2.
  - CABLE ASSEMBLIES MUST MEET SHIELDING EFFECTIVENESS REQUIREMENTS OF 35DB MINIMUM FROM 1-10GHZ AND 30DB FROM 10-18 GHZ.
  - DELETED.
  - PACKAGE COMPLETED ASSY IN AN APPROPRIATELY SIZED ESD BAG.
  - UL LABEL MUST BE ON SHIPPING CARTON PER SUBJECT 764 OF THE UL COMPONENT WIRING HARNESS (ZPFW2) FILE #E86140. CSA LABEL MUST BE ON SHIPPING CARTON.
- $\Delta$  LENGTHS ABOVE 1.1M DOES NOT SUPPORT IEEE802.3cd.

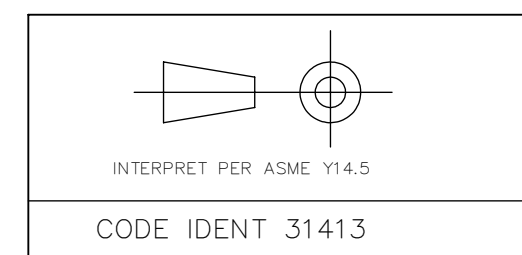


			TOLERANCES 0.0 ± 0.1 0.00 ± 0.08 0.000 ± - ANGLES ± 1.0°		UNLESS OTHERWISE SPECIFIED DIMENSIONS ARE IN MM.	<b>Amphenol AHSP</b> A Division of Amphenol Corporation 200 Innovative Way, Suite 201, Nashua, N.H. 03062 (603) 879-3000	
			CUSTOMER USE DRAWING	PART NO. SEE TABLE 1		REV N/A	
CODE IDENT 31413			C-NDYYR-0099		REV D		SHEET 1 OF 2

REVISIONS						
ZONE	REV.	ECN	DESCRIPTION	BY	DATE	APPROVED
			SEE SHEET 1			



NOTE: DC BLOCKING CAP VALUE IS 100nF



TOLERANCES		DWN 08/10/2017	<b>Amphenol AHSP</b>	
0.0	± 0.1	CHK 10/19/2017	A Division of Amphenol Corporation	
0.00	± 0.08	M.HUSSAIN	200 Innovative Way, Suite 201, Nashua, N.H. 03062 (603) 879-3000	
0.000	± -	APVD 10/19/2017	TITLE	
ANGLES	± 1.0°	M.HUSSAIN	CABLE ASSY, QSFP-DD, PASSIVE	
UNLESS OTHERWISE SPECIFIED DIMENSIONS ARE IN MM				
PART NO.		SEE TABLE 1		REV N/A
DRAWING NO.		C-NDYYYYR-0099		REV D
SIZE D	SCALE 1:1	SHEET 2 OF 2		