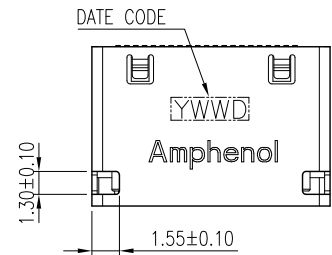


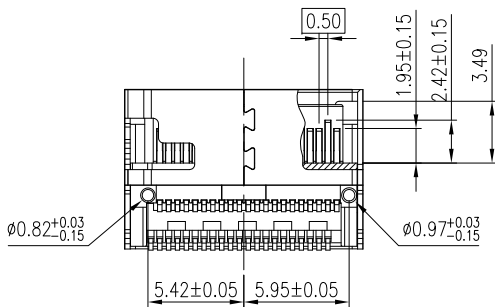
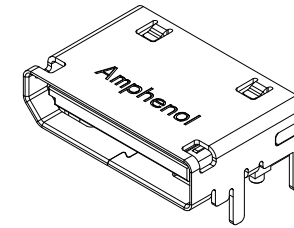
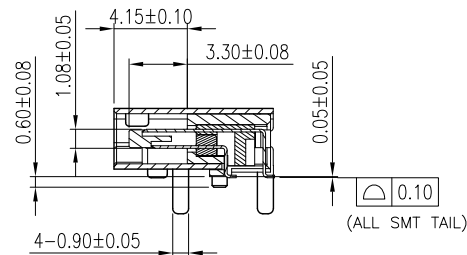
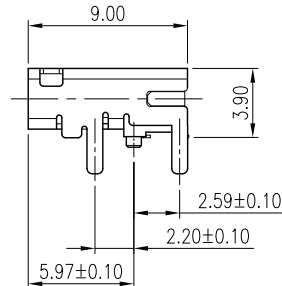
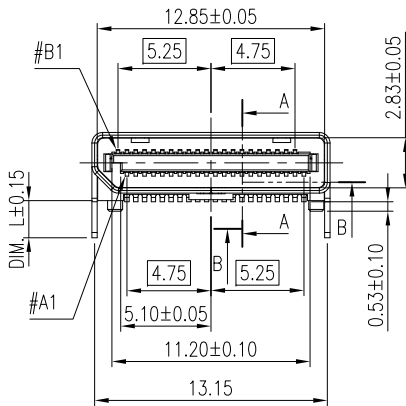
This document is the property of Amphenol Corporation and is delivered on the express condition that is not to be disclosed, reproduced or used, in whole or in part, for manufacture or sale by anyone other than Amphenol Corporation without its prior consent, and that no right is granted to disclose or to use any information in this document.

The marking on this product doesn't contain environmental hazardous material and must follow one or more specifications per Material Specification SS-00259 for Sony GP compliant or per directive 2011/65/EC for RoHS compliant or per IEC 61249-2-21 for Halogen Free compliant.

REVISIONS				
SYM	ECN No.	DESCRIPTION	DATE	BY
A	NE-17017	RELEASE TO PRODUCTION	05/09/2017	Sondra Sang



DATE CODE
Y WW D
1~7: DATE NO.
12: WEEK NO.
6: 2016



PART NUMBER:
G14A 42 1 X 1 X X X X HR

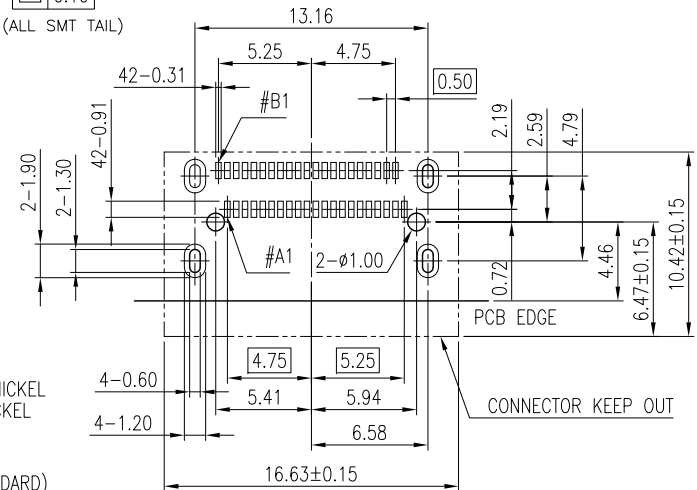
CONTACT FINISH
0: GOLD FLASH
1: 15μ" GOLD
2: 30μ" GOLD

SHELL PLATING
BLANK: ELECTROLESS NICKEL
1: MATTE TIN OVER NICKEL

PACKING METHOD
1: TRAY
2: TAPE & REEL (STANDARD)

SHELL OPTION
B: DIP, DIM. L=2.10mm
C: DIP, DIM. L=2.90mm
D: DIP, DIM. L=3.70mm

INSULATOR OPTION
1: LCP, BLACK
2: NY9T, BLACK



- NOTES:
- HOUSING: HIGH TEMP. THERMOPLASTIC, UL 94V-0, COLOR- BLACK
 - CONTACT: COPPER ALLOY, SELECTIVE. GOLD PLATED ON CONTACT AREA, 100μ" MATTE TIN PLATED ON SOLDERING TAIL, 50μ" MIN. NICKEL UNDER-PLATED OVERALL
 - SHELL: STAINLESS STEEL, 50μ" MIN. ELECTROLESS NICKEL PLATED OVERALL OR 60μ"~150 μ" MIN. MATTE TIN PLATED ON SOLDERING TAILS OVER 50μ" MIN. NICKEL PLATED OVERALL
 - THIS PRODUCT DOESN'T CONTAIN ENVIRONMENTAL HAZARDOUS MATERIALS PER DIRECTIVE 2011/65/EC FOR RoHS AND PER IEC 61249-2-21 FOR HALOGEN FREE COMPLIANT.

TOLERANCE	APPROVALS	DATE	TITLE	UNIT	SIZE	PART No.
X. X.X ±0.30 X.XX ±0.20 X.XXX ±0.10	DRAWN Sondra Sang	05/09/2017	PCIE OCULINK CONN. RECEPTACLE, R/A SMT SHELL DIP	mm	A3	G14A 421X 1XXX XX HR
	CHECKED Chenny Yeh	05/09/2017				
ANGULAR ±1°	APPROVED Hank Hsu	05/09/2017		NA	1 OF 1	G14A421X1BXXXHR
UNLESS OTHERWISE SPECIFIED	DWG TYPE CUST DWG	PROJECT CODE T591				