

This document is the property of Amphenol Corporation and is delivered on the express condition that is not to be disclosed, reproduced or used, in whole or in part, for manufacture or sale by anyone other than Amphenol Corporation without its prior consent, and that no right is granted to disclose or to use any information in this document.

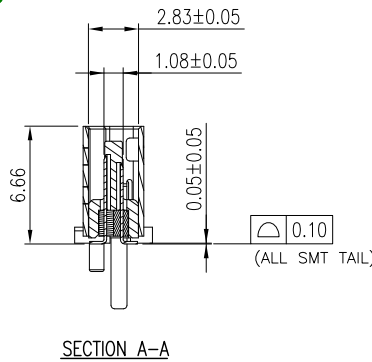
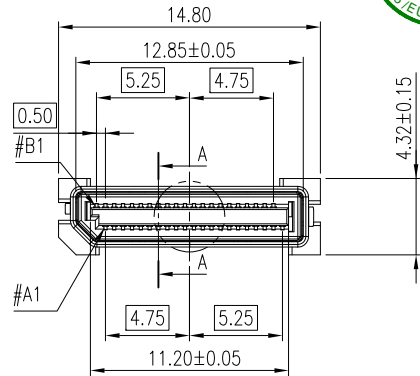
The marking on this product doesn't contain environmental hazardous material and must follow one or more specifications per Material Specification SS-00259 for Sony GP compliant or per directive 2011/65/EC for RoHS compliant or per IEC 61249-2-21 for Halogen Free compliant.



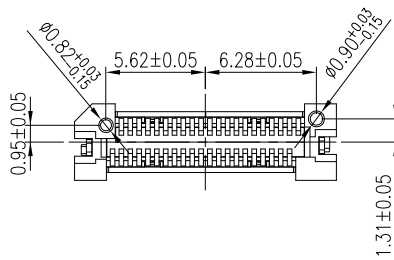
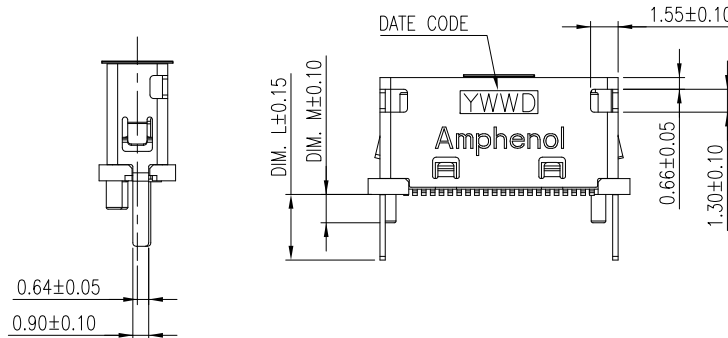
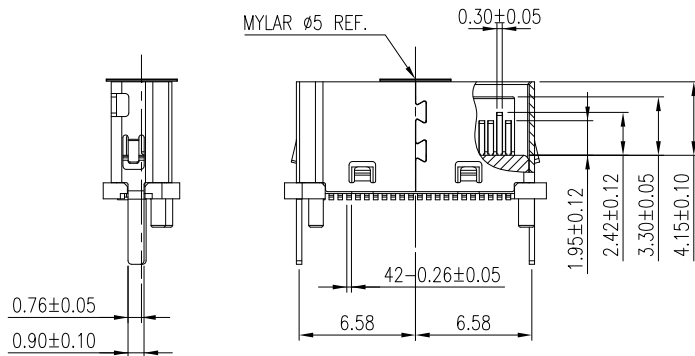
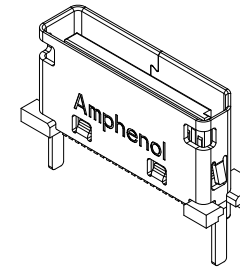
ORIGINAL



REVISIONS				
SYM	ECN No.	DESCRIPTION	DATE	BY
A	NE-16159	RELEASE TO PRODUCTION	06/29/2016	Sondra Sang



DATE CODE  
 Y WW D  
 1~7: DATE NO.  
 12: WEEK NO.  
 6: 2016



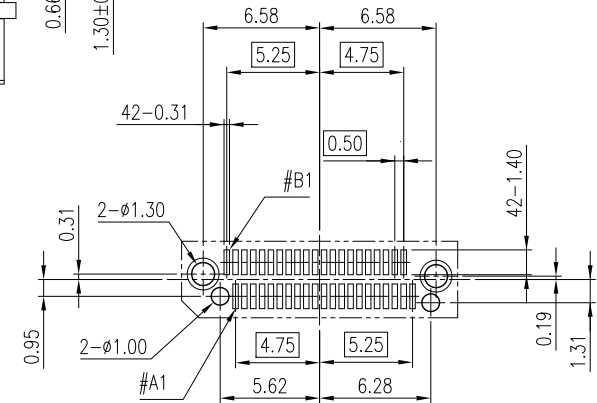
PART NUMBER:  
 G14A 422 X 1 X X X HR

CONTACT FINISH  
 0: GOLD FLASH  
 1: 15µ" GOLD  
 2: 30µ" GOLD

PACKING METHOD  
 1: TRAY  
 2: TAPE & REEL (STANDARD)

SHELL OPTIONAL  
 2: DIP, L=0.8mm (M=0.6mm)  
 5: DIP, L=2.1mm (M=1.6mm)  
 6: DIP, L=2.9mm (M=1.6mm)  
 7: DIP, L=3.7mm (M=1.6mm)  
 9: DIP, L=1.5mm

INSULATOR OPTION  
 1: LCP, BLACK  
 4: LCP, NATURAL WHITE



- NOTES:
- HOUSING: HIGH TEMP. THERMOPLASTIC, UL 94V-0, COLOR- BLACK
  - CONTACT: COPPER ALLOY, 0.15mm THICKNESS, SELECTIVE. GOLD PLATED ON CONTACT AREA, 100µ" MATTE TIN PLATED ON SOLDERING TAIL, 50µ" MIN. NICKEL UNDER-PLATED OVERALL
  - SHELL: STAINLESS STEEL, 0.30mm THICKNESS, 50µ" MIN. NICKEL PLATED ON THE SOLDERING TAILS
  - THIS PRODUCT DOESN'T CONTAIN ENVIRONMENTAL HAZARDOUS MATERIALS PER DIRECTIVE 2011/65/EC FOR ROHS AND PER IEC 61249-2-21 FOR HALOGEN FREE COMPLIANT.

TOLERANCE	APPROVALS	DATE	TITLE	Amphenol®	
X. X.X ±0.30 X.XX ±0.20 X.XXX ±0.10	DRAWN Sondra Sang	6/29/2016	OCULINK CONNECTORS RECEPTACLE, VERTICAL SMT SHELL DIP TYPE	Amphenol Corporation Amphenol Taiwan Corporation	
	CHECKED Chenny Yeh	6/29/2016		PART No.	G14A 422X 1XX X HR
	APPROVED Hank Hsu	6/29/2016		DWG No.	G14A422X1XXXHR
ANGULAR ±1° UNLESS OTHERWISE SPECIFIED	DWG TYPE CUST DWG	PROJECT CODE T591	UNIT mm SCALE NA	SIZE A3 SHEET 1 OF 1	REV. A