

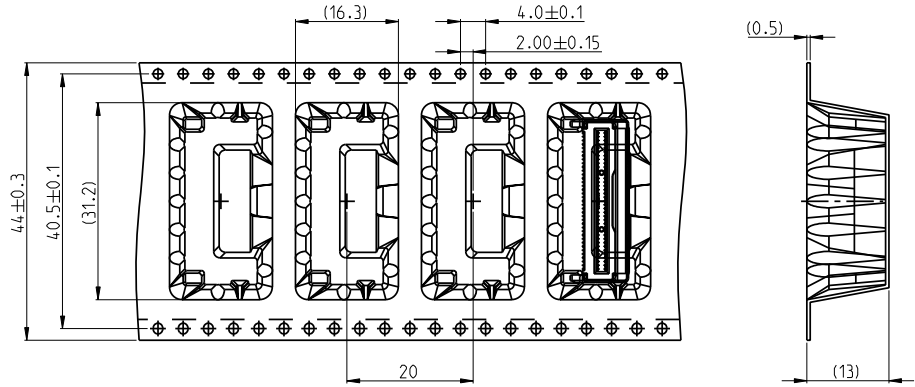


This document is the property of Amphenol Corporation and is delivered on the express condition that is not to be disclosed, reproduced or used, in whole or in part, for manufacture or sale by anyone other than Amphenol Corporation without its prior consent, and that no right is granted to disclose or to use any information in this document.

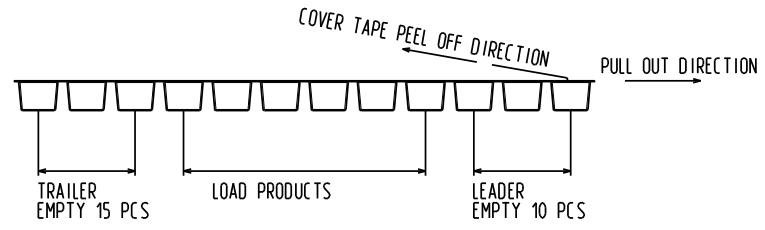
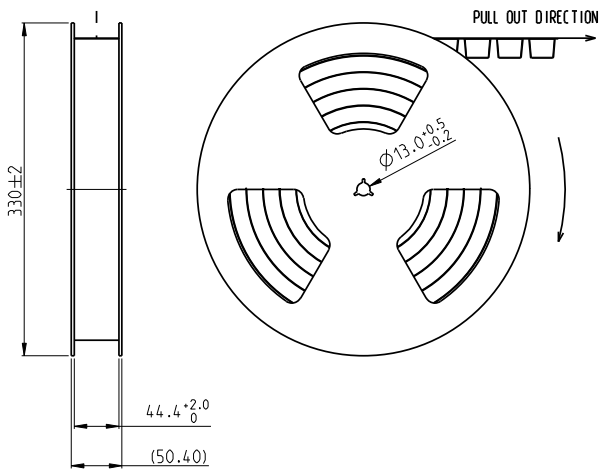
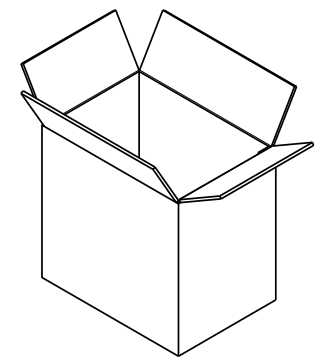
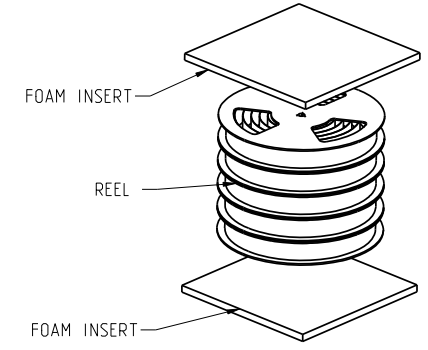
The marking on this product doesn't contain environmental hazardous materials per Material Specification SS-00259 for Sony GP compliant or per directive 2011/65/EU for RoHS compliant or per IEC 61249-2-21 for Halogen-Free compliant.



**FOR REFERENCE ONLY**



REVISIONS				
SYM	ECN No.	DESCRIPTION	DATE	BY
AX3	NA	ADDED PRINTING ON PRODUCT(PART NUMBER, DATE CODE AND LOGO)	05/25/2018	JOAN LU
AX4	NA	ADDED PACKAGE DRAWING	06/08/2018	JOAN LU
AX5	NA	ADDED SHELL LENGTH OPTION	06/27/2018	JOAN LU
AX6	NA	ADDED SHELL LENGTH OPTION	08/15/2018	JOAN LU
AX7	NA	MODIFIED LOCATION OF SHELL PIN	11/06/2018	JOAN LU
AX8	NA	UPDATED APPEARANCE OF CAGE	12/07/2018	JOAN LU



- NOTE 2:
- 1.COMPONENT Q'TY:  
250PCS/REEL  
5 REEL/CARTON  
1250 PCS/ CARTON
  2. CARTON SIZE  
340L X 340W X 265H
  3. PREFER TO AMTA LABELING STANDARD.
  4. CARTON CLOSURES MUST BE SEALED WITH TAPE.

- NOTE 1 :
- 1.MATERIAL:  
CARRIER TAPE: POLYSTYRENE, BLACK  
COVER TAPE: TRANSPARENT POLYSTYRENE  
REEL: POLYSTYRENE, BLACK
  - 2.ALL TAPE AND REEL SPECIFICATION FOLLOW EIA-481 STANDARD.
  - 3.THIS PRODUCT DOESN'T CONTAIN ENVIRONMENTAL HAZROUDS PER DIRECTIVE 2002/95/EC FOR RoHS.

TOLERANCE	DRAWN	APPROVALS	DATE	TITLE				
X. X.X ±0.30 X.XX ±0.20 X.XXX ±0.10	DESIGNED	Joan Lu	12/07/2018	MINI COOL EDGE 10 INTEGRATED CONNECTOR 0.6 PITCH, R/A, 74PINS STANDARD, SMT TYPE	Amphenol Corporation Amphenol Taiwan Corporation			
	CHECKED	Sondra Sang	12/07/2018		PART No. G42RX2XXXHR			
ANGULAR ±2°	APPROVED	Hank Hsu	12/07/2018		UNIT	mm	SIZE	A3
UNLESS OTHERWISE SPECIFIED	DWG TYPE	CUST DWG	PROJECT CODE		SCALE	NA	SHEET	2 OF 2