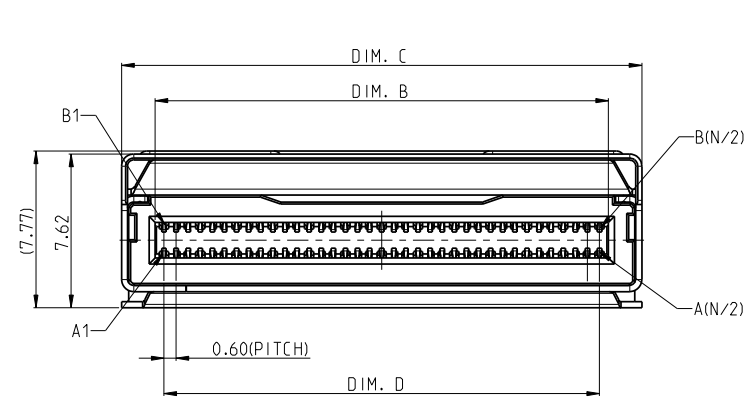


This document is the property of Amphenol Corporation and is delivered on the express condition that is not to be disclosed, reproduced or used, in whole or in part, for manufacture or sale by anyone other than Amphenol Corporation without its prior consent, and that no right is granted to disclose or to use any information in this document.

The marking on this product doesn't contain environmental hazardous materials per Material Specification SS-00259 for Sony GP compliant or per directive 2011/65/EU for RoHS compliant or per IEC 61249-2-21 for Halogen-Free compliant.

REVISIONS				
SYM	ECN No.	DESCRIPTION	DATE	BY
AX9	NA	REVISED DRAWING	07/23/2018	JOAN LU
AX10	NA	REVISED DRAWING	08/08/2018	JOAN LU
AX11	NA	ADDED 148P DIMENSIONS INTO BOM	08/28/2018	JOAN LU
AX12	NA	ADDED CAP	11/07/2018	JOAN LU

FOR REFERENCE ONLY



G42 V X X X X X X X X

MINI COOL EDGE IO
INTEGRATED CONNECTOR

VERTICAL TYPE

CONNECTOR SPEED
1 : PAM4 56G, 85ohm
A : PAM4 56G, 100ohm

CHANNEL/PIN QTY
1: 38P(4X+SIDE BAND OR 6X)
2: 74P(8X+SIDE BAND OR 12X)
4: 124P(16X+SIDE BAND OR 20X)
5: 50P(6X+SIDE BAND OR 8X)
6: 148P(20X+SIDE BAND OR 24X)

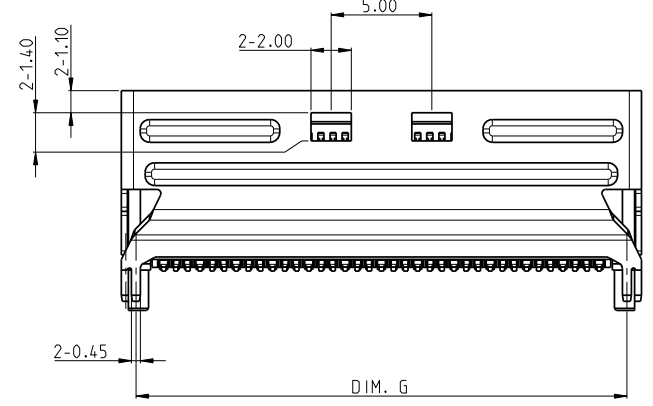
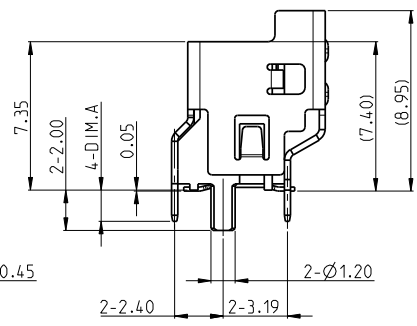
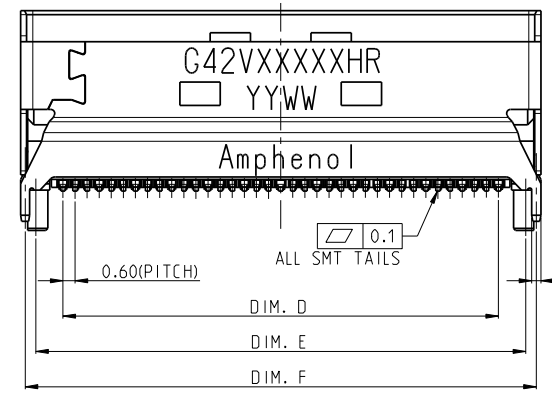
CONTACT FINISH
2: 15u" GOLD
3: 30u" GOLD

COMPLIANT CODE
HR: HALOGEN-FREE & RoHS

VARIATION CODE
BLANK: STANDARD

PACKING CODE
2: TAPE AND REEL

SHELL PIN LENGTH OPTION(DIM.A)
1: 1.50mm
2: 2.20mm
3: 3.00mm
4: 4.20mm



NOTES:
1. MATERIALS:
PLASTICS : HIGH TEMPERATURE THERMOPLASTIC UL94-0.
SHELL : STAINLESS
CONTACT: COPPER ALLOY
2: FINISH
TERMINAL : CONTACT AREA : SELECTED GOLD PLATING.
SOLDER AREA : MATTE TIN PLATING 100u"
UNDER PLATING: NICKEL PLATING 50u"MIN OVER ALL
SHELL : UNDER PLATING: ELECTROLESS NICKEL PLATING 50u"MIN OVER ALL
3.THIS PRODUCT DOESN'T CONTAIN ENVIROMENTAL HAZARDOUS MATERIALS PER DERCTIVE 2011/65/EC FOR RoHS AND PER IEC 61249-2-21 FOR HALOGEN FREE.



PART NUMBER	POS. (N)	DIM. B	DIM. C	DIM. D	DIM. E	DIM. F	DIM. G
G42VX1XXXXHR	38	11.68	15.00	10.80	13.50	14.55	13.55
G42VX5XXXXHR	50	15.28	18.60	14.40	17.10	18.15	17.15
G42VX2XXXXHR	74	22.48	25.80	21.60	24.30	25.35	24.35
G42VXBXXXXHR							

TOLERANCE	DRAWN	APPROVALS	DATE	TITLE	UNIT	SIZE	PART No.	
X. X.X ±0.30 X.XX ±0.20 X.XXX ±0.10	DESIGNED	Joan Lu	11/07/2018	MINI COOL EDGE IO INTEGRATED CONNECTOR 0.6 PITCH, VERTICAL STANDARD. SMT TYPE	mm	A3	G42VXXXXXHR	
ANGULAR ±2°	CHECKED	Sondra Sang	11/07/2018		SCALE	SHEET	PART No.	
UNLESS OTHER WISE SPECIFIED	APPROVED	Hank Hsu	11/07/2018		NA	1 OF 5	G42VXXXXXHR	
	DWG TYPE	CUST DWG	PROJECT CODE	1631			DWG No.	REV.
							G42VXXXXXHR	AX12

Amphenol®
Amphenol Corporation
Amphenol Taiwan Corporation

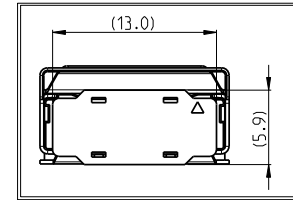
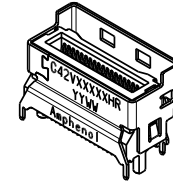
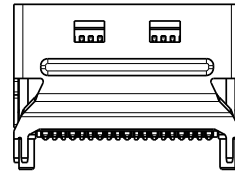
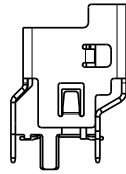
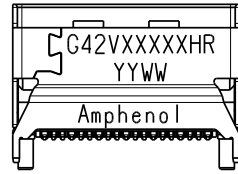
This document is the property of Amphenol Corporation and is delivered on the express condition that is not to be disclosed, reproduced or used, in whole or in part, for manufacture or sale by anyone other than Amphenol Corporation without its prior consent, and that no right is granted to disclose or to use any information in this document.

The marking on this product doesn't contain environmental hazardous materials per Material Specification SS-00259 for Sony GP compliant or per directive 2011/65/EU for RoHS compliant or per IEC 61249-2-21 for Halogen-Free compliant.

REVISIONS				
SYM	ECN No.	DESCRIPTION	DATE	BY
AX9	NA	REVISED DRAWING	07/23/2018	JOAN LU
AX10	NA	REVISED DRAWING	08/08/2018	JOAN LU
AX11	NA	ADDED 148P DIMENSIONS INTO BOM	08/28/2018	JOAN LU
AX12	NA	ADDED CAP	11/07/2018	JOAN LU

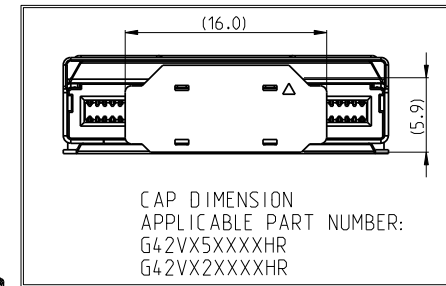
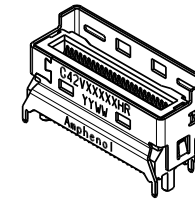
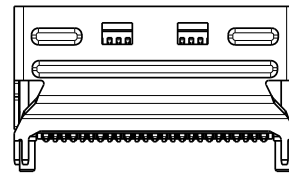
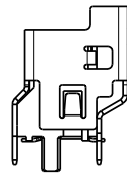
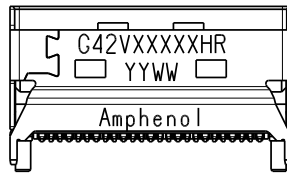
FOR REFERENCE ONLY

G42VX1XXXXHR



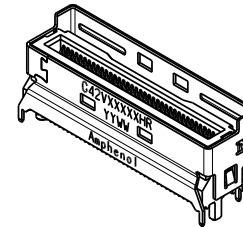
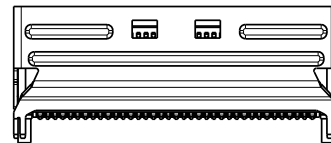
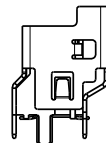
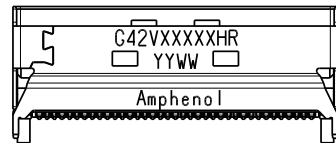
CAP DIMENSION
APPLICABLE PART NUMBER:
G42VX1XXXXHR

G42VX5XXXXHR



CAP DIMENSION
APPLICABLE PART NUMBER:
G42VX5XXXXHR
G42VX2XXXXHR

G42VX2XXXXHR
G42VXBXXXXHR



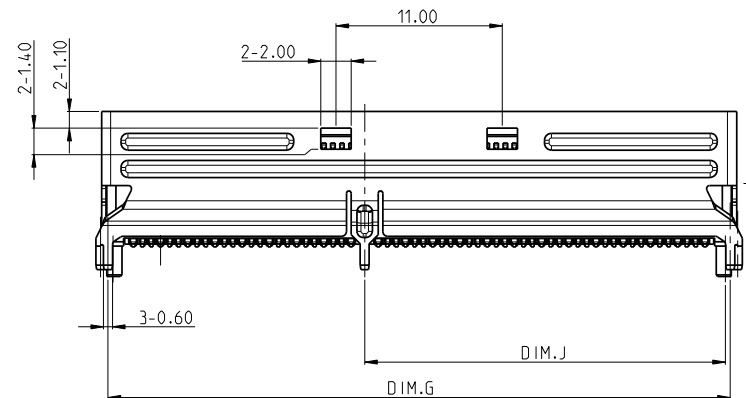
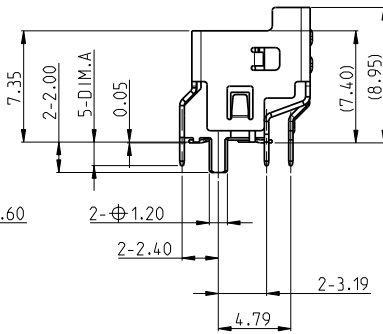
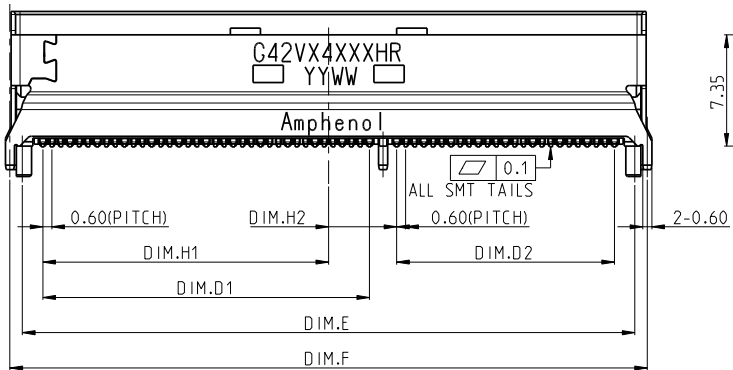
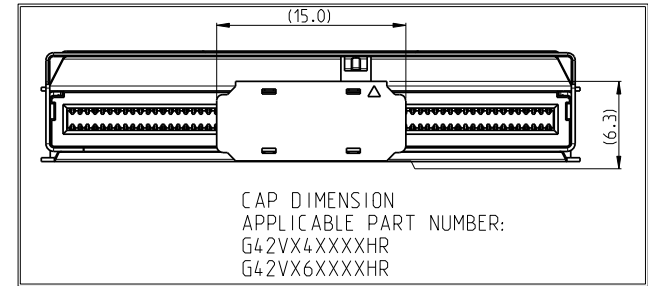
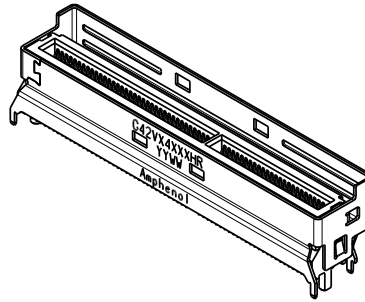
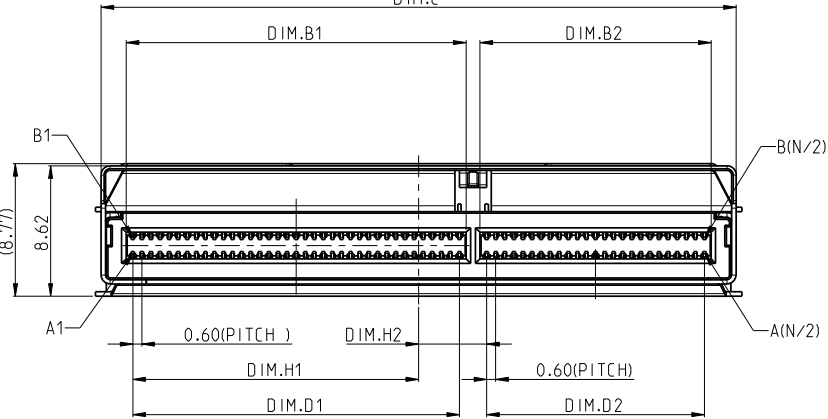
TOLERANCE	DRAWN APPROVALS	DATE	TITLE		PART No.	
X.	DESIGNED Joan Lu	11/07/2018	MINI COOL EDGE IO INTEGRATED CONNECTOR		G42VXXXXXHR	
X.X ±0.30	CHECKED Sondra Sang	11/07/2018	0.6 PITCH, VERTICAL STANDARD. SMT TYPE		G42VXXXXXHR	
X.XX ±0.20	APPROVED Hank Hsu	11/07/2018	UNIT	SIZE	PART No.	
X.XXX ±0.10	DWG TYPE CUST DWG	PROJECT CODE T631	mm	A3	G42VXXXXXHR	
ANGULAR ±2°	UNLESS OTHERWISE SPECIFIED		SCALE	SHEET	DWG No.	REV.
			NA	2 OF 5	G42VXXXXXHR	AX12

FOR REFERENCE ONLY

This document is the property of Amphenol Corporation and is delivered on the express condition that is not to be disclosed, reproduced or used, in whole or in part, for manufacture or sale by anyone other than Amphenol Corporation without its prior consent, and that no right is granted to disclose or to use any information in this document.

The marking on this product doesn't contain environmental hazardous materials per Material Specification SS-00259 for Sony GP compliant or per directive 2011/65/EU for RoHS compliant or per IEC 61249-2-21 for Halogen-Free compliant.

REVISIONS					
SYM	ECN No.	DESCRIPTION	DATE	BY	
AX9	NA	REVISED DRAWING	07/23/2018	JOAN LU	
AX10	NA	REVISED DRAWING	08/08/2018	JOAN LU	
AX11	NA	ADDED 148P DIMENSIONS INTO BOM	08/28/2018	JOAN LU	
AX12	NA	ADDED CAP	11/07/2018	JOAN LU	



PART NUMBER	POS. (N)	DIM. B1	DIM. B2	DIM. C	DIM. D1	DIM. D2	DIM. E	DIM. F	DIM. G	DIM. H1	DIM. H2	DIM. J
G42VX4XXXHR	124	22.48	15.28	42.00	21.60	14.40	40.50	42.15	41.15	18.90	14.50	23.85
G42VX6XXXHR	148	22.48	22.48	49.20	21.60	21.60	47.70	49.35	48.35	22.50	0.90	24.175



TOLERANCE	DRAWN	APPROVALS	DATE	TITLE			Amphenol®		
X.		DESIGNED	11/07/2018	MINI COOL EDGE IO INTEGRATED CONNECTOR			Amphenol Corporation		
X.X ±0.30		CHECKED	11/07/2018	0.6 PITCH, VERTICAL STANDARD. SMT TYPE			Amphenol Taiwan Corporation		
X.XX ±0.20		APPROVED	11/07/2018	UNIT mm SIZE A3			PART No. G42VXXXXXHR		
X.XXX ±0.10		DWG TYPE	PROJECT CODE	SCALE NA SHEET 3 OF 5			DWG No. G42VXXXXXHR REV. AX12		
ANGULAR ±2°		CUST DWG	1631	UNLESS OTHERWISE SPECIFIED					

This document is the property of Amphenol Corporation and is delivered on the express condition that is not to be disclosed, reproduced or used, in whole or in part, for manufacture or sale by anyone other than Amphenol Corporation without its prior consent, and that no right is granted to disclose or to use any information in this document.

The marking on this product doesn't contain environmental hazardous materials per Material Specification SS-00259 for Sony GP compliant or per directive 2011/65/EU for RoHS compliant or per IEC 61249-2-21 for Halogen-Free compliant.

RECOMMENDED PCB LAYOUT
(GENERAL TOLERANCES :+/-0.05)

REVISIONS				
SYM	ECN No.	DESCRIPTION	DATE	BY
AX9	NA	REVISED DRAWING	07/23/2018	JOAN LU
AX10	NA	REVISED DRAWING	08/08/2018	JOAN LU
AX11	NA	ADDED 148P DIMENSIONS INTO BOM	08/28/2018	JOAN LU
AX12	NA	ADDED CAP	11/07/2018	JOAN LU

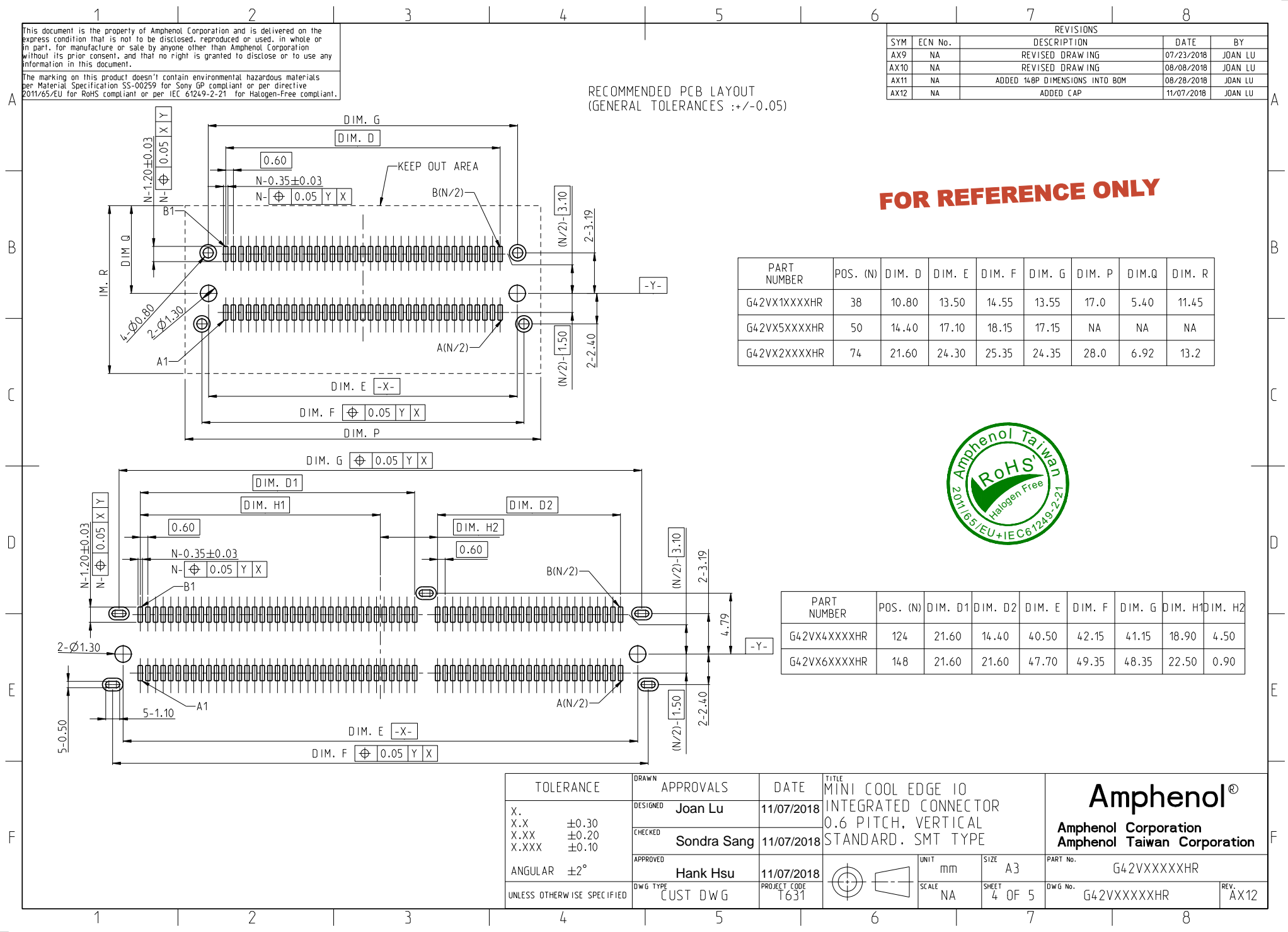
FOR REFERENCE ONLY

PART NUMBER	POS. (N)	DIM. D	DIM. E	DIM. F	DIM. G	DIM. P	DIM.Q	DIM. R
G42VX1XXXXHR	38	10.80	13.50	14.55	13.55	17.0	5.40	11.45
G42VX5XXXXHR	50	14.40	17.10	18.15	17.15	NA	NA	NA
G42VX2XXXXHR	74	21.60	24.30	25.35	24.35	28.0	6.92	13.2



PART NUMBER	POS. (N)	DIM. D1	DIM. D2	DIM. E	DIM. F	DIM. G	DIM. H1	DIM. H2
G42VX4XXXXHR	124	21.60	14.40	40.50	42.15	41.15	18.90	4.50
G42VX6XXXXHR	148	21.60	21.60	47.70	49.35	48.35	22.50	0.90

<p>TOLERANCE</p> <p>X. ±0.30</p> <p>X.X ±0.20</p> <p>X.XX ±0.10</p> <p>ANGULAR ±2°</p> <p>UNLESS OTHERWISE SPECIFIED</p>	<p>DRAWN</p> <p>APPROVALS</p> <p>DATE</p>	<p>TITLE</p> <p>MINI COOL EDGE IO</p> <p>INTEGRATED CONNECTOR</p> <p>0.6 PITCH, VERTICAL</p> <p>STANDARD. SMT TYPE</p>	<p>Amphenol®</p> <p>Amphenol Corporation</p> <p>Amphenol Taiwan Corporation</p>	
	<p>DESIGNED</p> <p>Joan Lu</p> <p>11/07/2018</p>	<p>UNIT</p> <p>mm</p> <p>SIZE</p> <p>A3</p>		
	<p>CHECKED</p> <p>Sondra Sang</p> <p>11/07/2018</p>			<p>SCALE</p> <p>NA</p> <p>SHEET</p> <p>4 OF 5</p>
	<p>APPROVED</p> <p>Hank Hsu</p> <p>11/07/2018</p>			
<p>DWG TYPE</p> <p>CUST DWG</p>	<p>PROJECT CODE</p> <p>1631</p>	<p>UNIT</p> <p>mm</p> <p>SCALE</p> <p>NA</p> <p>SHEET</p> <p>4 OF 5</p>	<p>DWG No.</p> <p>G42VXXXXXHR</p> <p>REV.</p> <p>AX12</p>	

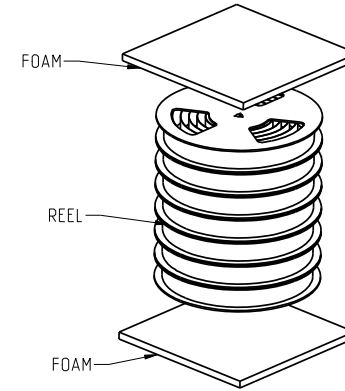
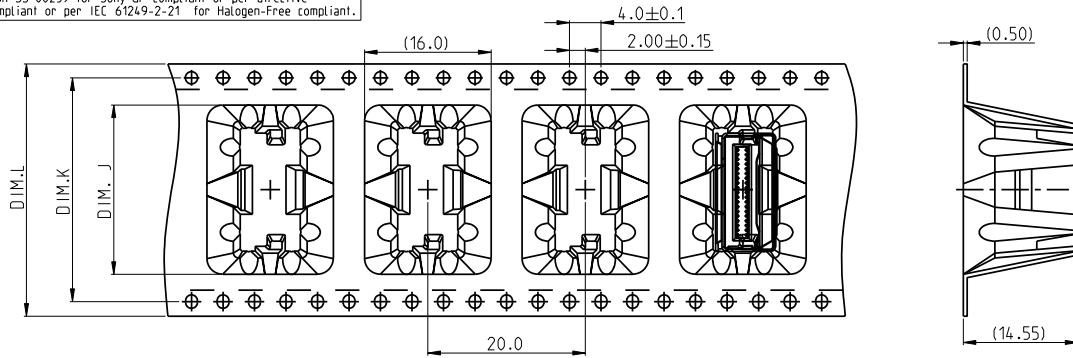


FOR REFERENCE ONLY

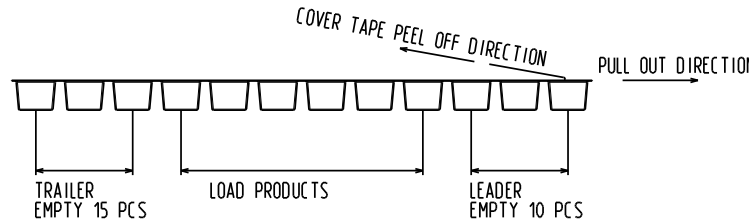
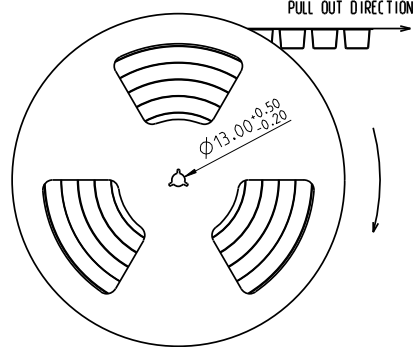
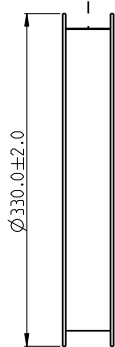
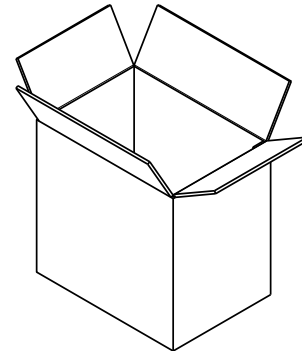
This document is the property of Amphenol Corporation and is delivered on the express condition that is not to be disclosed, reproduced or used, in whole or in part, for manufacture or sale by anyone other than Amphenol Corporation without its prior consent, and that no right is granted to disclose or to use any information in this document.

The marking on this product doesn't contain environmental hazardous materials per Material Specification SS-00259 for Sony GP compliant or per directive 2011/65/EU for RoHS compliant or per IEC 61249-2-21 for Halogen-Free compliant.

REVISIONS				
SYM	ECN No.	DESCRIPTION	DATE	BY
AX9	NA	REVISED DRAWING	07/23/2018	JOAN LU
AX10	NA	REVISED DRAWING	08/08/2018	JOAN LU
AX11	NA	ADDED 148P DIMENSIONS INTO BOM	08/28/2018	JOAN LU
AX12	NA	ADDED CAP	11/07/2018	JOAN LU



PART NUMBER	POS. (N)	DIM. J	DIM. K	DIM. L	REEL (Q'TY)	CARTON (PCS)
G42VX1XXXXHR	38	(21.5)	28.4±0.1	32.0±0.3	7	1400
G42VX5XXXXHR	50	(27.7)	40.4±0.1	44.0±0.3	5	1400
G42VX2XXXXHR	74	(34.0)	52.4±0.1	56.0±0.3	4	800
G42VX4XXXXHR	124	(39.5)	68.40±0.1	72.0±0.3	3	600
G42VX6XXXXHR	148	(57.9)	68.40±0.1	72.0±0.3	3	600



NOTE 2:

- CARTON SIZE 340L X 340W X265H
- PREFER TO AMTA LABELING STANDARD.
- CARTON CLOSURES MUST BE SEALS WITH TAPE.

NOTE 1:

- MATERIAL:
CARRIER TAPE: POLYSTYRENE, BLACK
COVER TAPE: TRANSPARENT POLYSTYRENE
REEL: POLYSTYRENE, BLACK
- ALL TAPE AND REEL SPECIFICATION FOLLOW EIA-481 STANDARD.
- THIS PRODUCT DOESN'T CONTAIN ENVIRONMENTAL HAZRDOUS PER DIRECTIVE 2002/95/EC FOR RoHS.

TOLERANCE	DRAWN	APPROVALS	DATE	TITLE	Amphenol® Amphenol Corporation Amphenol Taiwan Corporation					
X. X.X ±0.30 X.XX ±0.20 X.XXX ±0.10	DESIGNED	Joan Lu	11/07/2018	MINI COOL EDGE 10 INTEGRATED CONNECTOR 0.6 PITCH, VERTICAL STANDARD. SMT TYPE	UNIT	mm	SIZE	A3	PART No.	G42VXXXXXHR
ANGULAR ±2°	CHECKED	Sondra Sang	11/07/2018		SCALE	NA	SHEET	5 OF 5	DWG No.	G42VXXXXXHR
UNLESS OTHERWISE SPECIFIED	APPROVED	Hank Hsu	11/07/2018						REV.	AX12
	DWG TYPE	CUST DWG	PROJECT CODE	1631						