

This document is the property of Amphenol Corporation and is delivered on the express condition that is not to be disclosed, reproduced or used, in whole or in part, for manufacture or sale by anyone other than Amphenol Corporation without its prior consent, and that no right is granted to disclose or to use any information in this document.

The marking on this product doesn't contain environmental hazardous materials per Material Specification SS-00259 for Sony GP compliant or per directive 2011/65/EU for RoHS compliant.

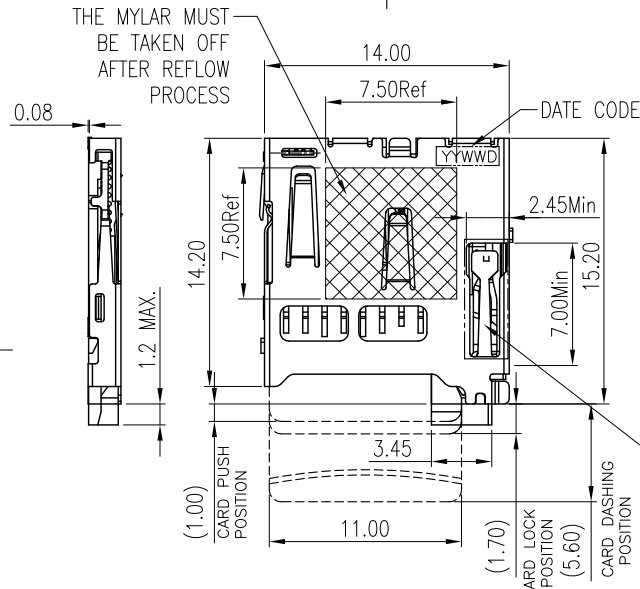
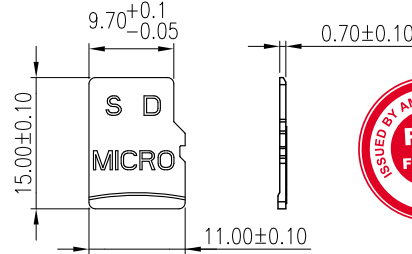
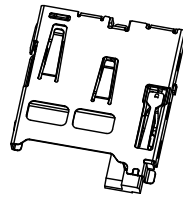


ORIGINAL

REVISIONS				
SYM	ECN No.	DESCRIPTION	DATE	APPROVED
A	NE-18238	RELEASE REVISION	11/19/2018	Roger Tsai

NOTES:

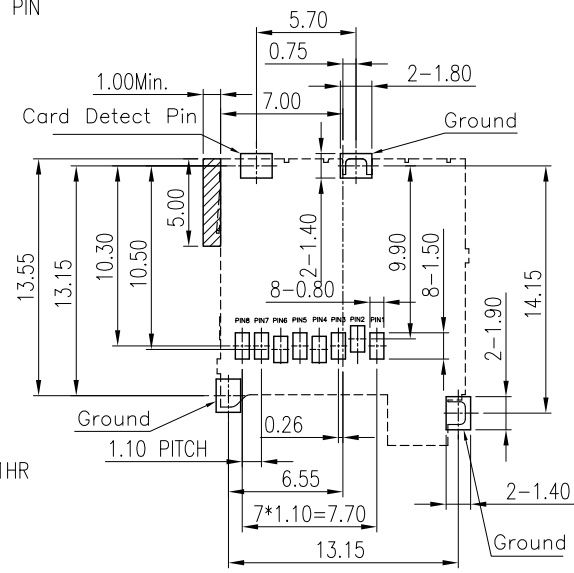
- INSULATOR: HIGH TEMPERATURE THERMOPLASTIC, LCP, UL 94V-0, COLOR- BLACK.
- CONTACT: COPPER ALLOY, SELECTIVE GOLD PLATING ON CONTACT AREA, MATTE TIN PLATING 100 μ " ON SOLDERING AREA.
- SHELL: STEEL (SUS 301),
SOLDERABLE NICKEL 50 μ " THICKNESS MIN.OVERALL
- THIS PRODUCT IS HALOGEN-FREE PRODUCT.
- RECOMMEND SD CARD WIDTH IS DIM 9.70 $^{+0.1}_{-0.05}$ FOR TEST.
- PRODUCT SPECIFICATION REFER TO : PS-7500.
- TEST SUMMARY REFER TO : TS-7500-002.
- THIS PRODUCT IS HALOGEN-FREE PRODUCT.



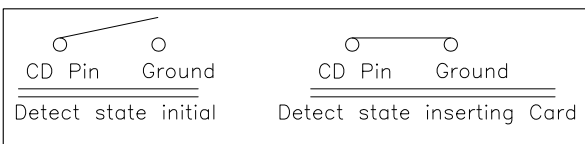
THE SHRAPNEL AREAS PROHIBIT CONTACT AND EXTRUDED BY THE EXTERNAL FORCE

PIN No.	FUNCTION
PIN 1	DAT2
PIN 2	CD/DAT3
PIN 3	CMD
PIN 4	Vdd
PIN 5	CLK
PIN 6	Vss
PIN 7	DATO
PIN 8	DAT1

PART NO. GTFP084 X X B1HR
 CONTACT FINISH
 2: 10 μ " GOLD
 3: 15 μ " GOLD
 4: 30 μ " GOLD
 PACKING STYLE
 1: W/O MYLAR T&R
 2: W/ MYLAR T&R



RECOMMENDED SOLDER PAD AREA
 DEVICE KEEP OUT AREA
 RECOMMENDED PCB LAYOUT
 (ALL TOLERANCE ARE ± 0.05 mm)
 TOP VIEW



TOLERANCE	APPROVALS	DATE	TITLE	UNIT	SIZE	PART No.
X. ± 0.30	DRAWN Karen Su	11/19/2018	MICRO SD NORMAL OPEN TYPE H=1.85mm , SIDE LOCK CARD (NF 30gf MIN.)	mm	A3	GTFP084XXB1HR
X.X ± 0.20	CHECKED Aqua Chou	11/19/2018		SCALE	SHEET	
X.XX ± 0.10	APPROVED Roger Tsai	11/19/2018		NA	1 OF 2	
ANGULAR $\pm 1^\circ$	DWG TYPE CUST DWG	PROJECT CODE OTHER				DWG No. GTFP084XXB1HR
UNLESS OTHERWISE SPECIFIED						REV. A

Amphenol®
 Amphenol Corporation
 Amphenol Taiwan Corporation

This document is the property of Amphenol Corporation and is delivered on the express condition that is not to be disclosed, reproduced or used, in whole or in part, for manufacture or sale by anyone other than Amphenol Corporation without its prior consent, and that no right is granted to disclose or to use any information in this document.

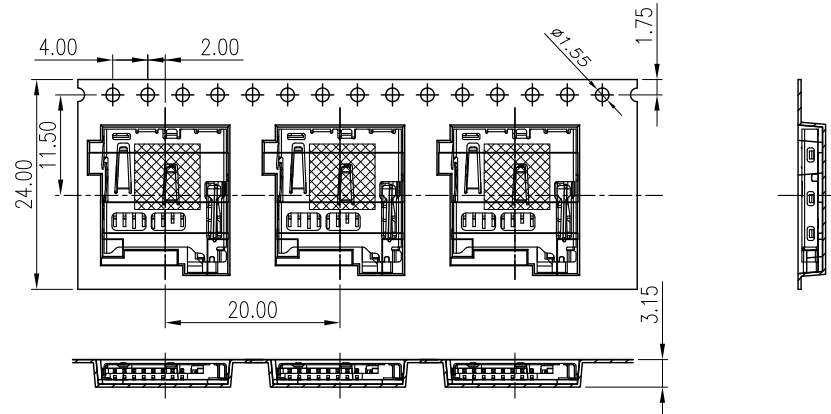
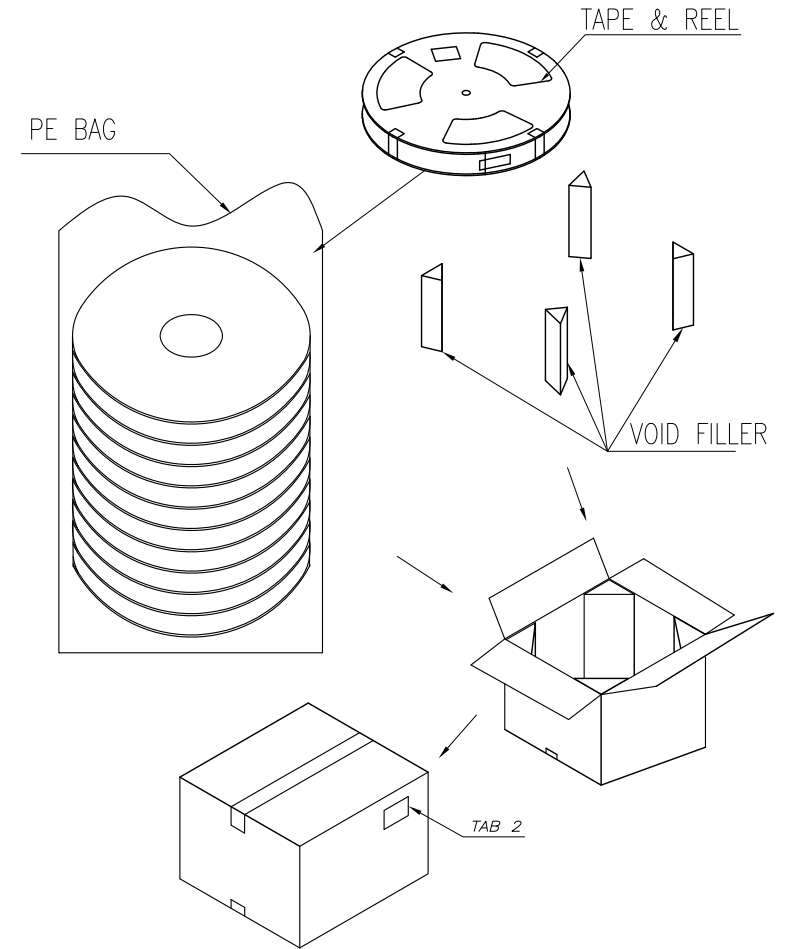
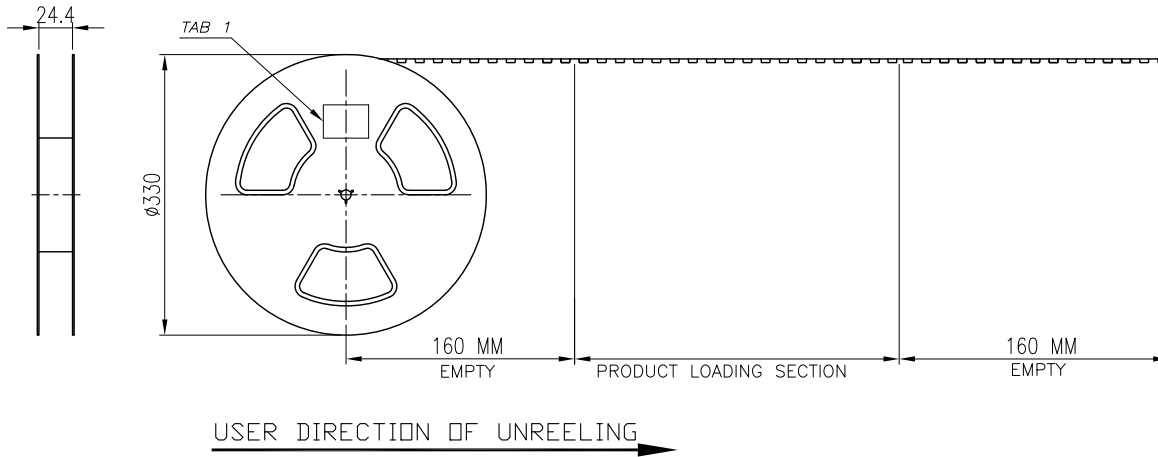
The marking on this product doesn't contain environmental hazardous materials per Material Specification 55-00259 for Sony GP compliant or per directive 2011/65/EU for RoHS compliant.



ORIGINAL



REVISIONS				
SYM	ECN No.	DESCRIPTION	DATE	APPROVED
A	NE-18238	RELEASE REVISION	11/19/2018	Roger Tsai



- NOTES:
- MATERIAL: BLACK ANTI-STATIC POLYSTYRENE.
 - QUANTITY:
1000 PCS/13" REEL
5 REELS/CARTON
5000 PCS/CARTON
 - CARTON MUST BE SEALED IN PAPER-TAPE.
 - IF ODD, MUST CLOG UP THE CARTON IN BUFFER MATERIALS.

PACKAGING BY TAPE&REEL	5.5	2.18	1000	5	5000	GTFFP084XXB1HR
	G/W KG	N/W KG	PCS/ REEL	REELS/ CARTON	QUANTITY (PCS)	PART NUMBER

TOLERANCE	APPROVALS	DATE	TITLE	UNIT	SIZE	PART No.
X. ±0.30	DRAWN Karen Su	11/19/2018	MICRO SD NORMAL OPEN TYPE H=1.85mm , SIDE LOCK CARD (NF 30gf MIN.)	mm	A3	GTFFP084XXB1HR
X.X ±0.20	CHECKED Aqua Chou	11/19/2018				
X.XX ±0.10	APPROVED Roger Tsai	11/19/2018				
X.XXX ±0.10	DWG TYPE CUST DWG	PROJECT CODE OTHER				
ANGULAR ±1°			SCALE NA	SHEET 2 OF 2	DWG No. GTFFP084XXB1HR	REV. A
UNLESS OTHERWISE SPECIFIED						