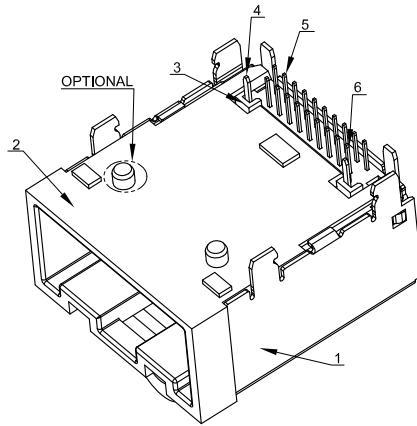
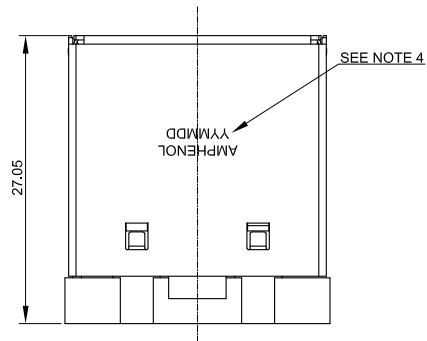


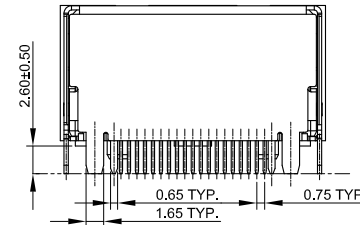
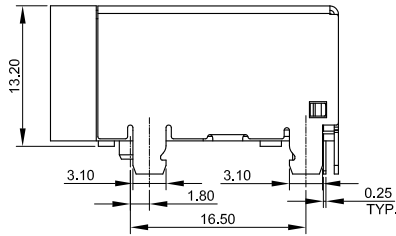
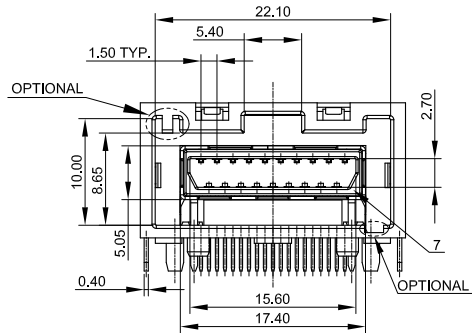
This document is the property of Amphenol Corporation and is delivered on the express condition that it is not to be disclosed, reproduced or used, in whole or in part, for manufacture or sale by anyone other than Amphenol Corporation without the prior consent, & that no right is granted to disclose or to use any information in this document.

CUSTOMER DRAWING

REVISIONS				
SYM	ECN	DESCRIPTION	DATE	APPROVED
1	N/A	FIRST RELEASE	10/31/14	IP
2	N/A	ADD PIN ASSIGNMENT FOR NON-STANDARD HDMI E TYPE	02/12/15	IP
3	N/A	ADD FOOL-PROOFING FEATURE FOR NON-STANDARD HDMI E TYPE	04/01/15	IP
4	N/A	CANCEL PIN ASSIGNMENT FOR NON-STAND TYPE OPTION	10/15/15	IP
5	HK7388	ADD D/C;UPDATE DRAWING FORMAT	11/02/15	IP



NOTES:
 1. MATERIAL:
 PLASTIC: SEE TABLE 1
 CONTACT: SEE TABLE 1
 SHELL: SEE TABLE 1
 2. FINISHED: REFER TO PART NUMBER INFORMATION
 3. RoHS COMPLIANT
 4. DATE CODE:YYMMDD
 YY MEANS YEAR
 MM MEANS MONTH
 DD MEANS WORK DAY
 EX. 150101 MEANS Jan. 1ST,2015
 FONT:COURIER NEW
 FONT HEIGHT:1.50MM
 PART NUMBER:
 HDMF192080-X-X-X-XX



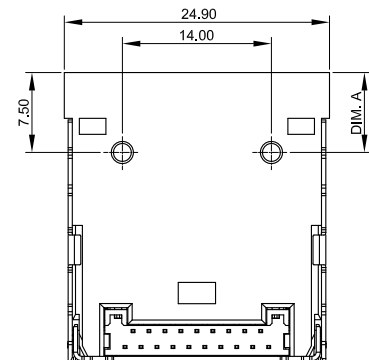
CUSTOMER CODE
 0:PER CUSTOMER REQUEST

 9:PER CUSTOMER REQUEST

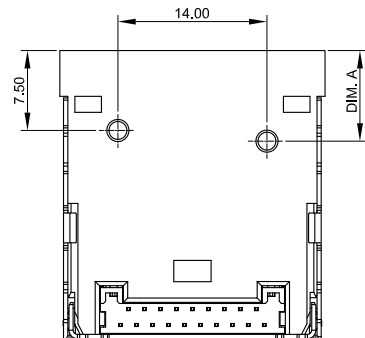
PACKING OPTION
 NONE: PACKING IN TAPE AND REEL
 TR: PACKING IN TRAY

PLATING OPTION
 (CONTACT AREA/SOLDER TAIL)
 0:UNPLATED;
 1:AU 30U"/MATTE-TIN 2.54-5.08UM
 2:AU 15U"/MATTE-TIN 2.54-5.08UM
 A:GOLD FLASH/MATTE-TIN 2.54-5.08UM

TYPE OPTION
 NONE:NON-STANDARD HDMI E TYPE
 OUTER HSG COLOR:WHITE
 DIM.A=8.5MM
 DIM.B=1MM
 1:STANDARD HDMI E TYPE
 OUTER HSG COLOR:BLACK
 DIM.A=7.5MM
 DIM.B=0MM



STANDARD HDMI E TYPE
 OUTER HSG COLOR:BLACK
 DIM. A=7.5MM
 BOTTOM VIEW



NON-STANDARD HDMI E TYPE
 OUTER HSG COLOR:WHITE
 DIM. A=8.5MM
 BOTTOM VIEW

TABLE 1

7	INNER HSG	HIGH-TEMP. THERMOPLASTIC.COLOR: BLACK.UL94V-0
6	BOTTOM ROW TERMINAL	COPPER ALLOY.T=0.25±0.01
5	TOP ROW TERMINAL	COPPER ALLOY.T=0.25±0.01
4	INNER SHELL	COPPER ALLOY.SOLDERABLE NICKEL OVER ALL
3	SPACER	HIGH-TEMP. THERMOPLASTIC.COLOR: BLACK.UL94V-0
2	OUTER HSG	HIGH-TEMP. THERMOPLASTIC.COLOR: BLACK.UL94V-0
1	OUTER SHELL	COPPER ALLOY.SOLDERABLE NICKEL OVER ALL
	PART NAME	DESCRIPTION

P/N	DIM. A	DIM. B
HDMF192080X21XX	7.50	0.00
HDMF192080X2XX	8.50	1.00

UNLESS OTHERWISE SPECIFIED TOLERANCES			APPROVAL		DATE
U.S.	METRIC	DRAWN	Harvey	11/02/15	
0.0	+/-	CHECKED			
0.00	+/-	CHECKED			
FRACTIONS +/-			DRAWING FILE :		
ANGLES +/-			DRAWING_PATH\HDMF192080XXXX-0.DWG		
FOR MATERIALS AND FINISHES SEE NOTES			REMOVE SHARP EDGES		
DIMENSIONS			ANGLE OF PROJECTION		
U.S.	INCHES				
(METRIC)	(MM)				

Amphenol
Amphenol East Asia Limited

TITLE: CUSTOMER DRAWING FOR HDMI E TYPE R/A REC

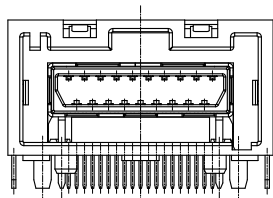
SIZE: A3
DRAWING NO.: HDMF192080XXXXX
REV.: 5

SCALE: 1:1 SHEET 1 OF 2

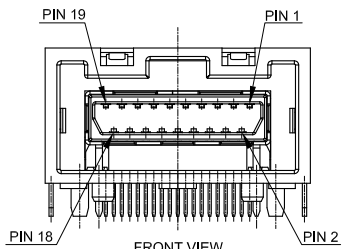
This document is the property of Amphenol Corporation and is delivered on the express condition that it is not to be disclosed, reproduced or used, in whole or in part, for manufacture or sale by anyone other than Amphenol Corporation without the prior consent, & that no right is granted to disclose or to use any information in this document.

CUSTOMER DRAWING

REVISIONS				
SYM	ECN	DESCRIPTION	DATE	APPROVED



FRONT VIEW
TYPE OPTION FOR
NON-STANDARD HDMI E TYPE
OUTER HSG COLOR:WHITE

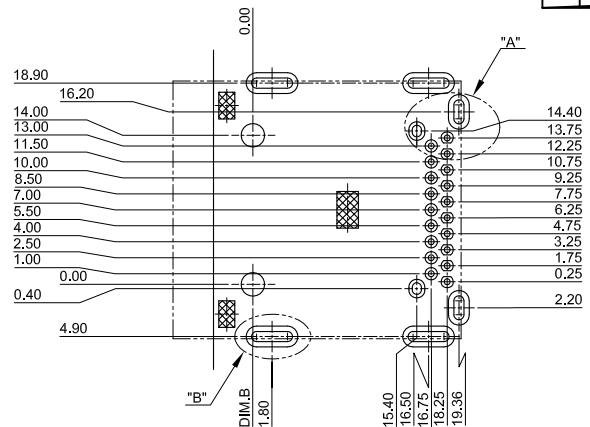


FRONT VIEW
TYPE OPTION FOR
STANDARD HDMI E TYPE
OUTER HSG COLOR:BLACK

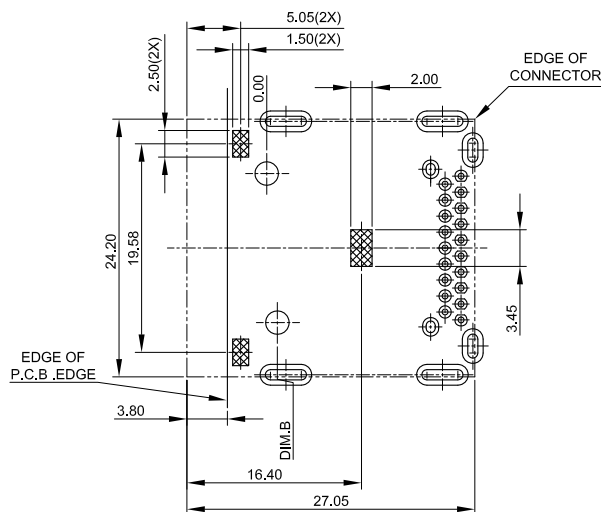
PIN ASSIGNMENTS FOR NON-STANDARD HDMI E TYPE:
PER CUSTOMER'S DEFINING

PIN ASSIGNMENTS FOR STANDARD HDMI E TYPE:

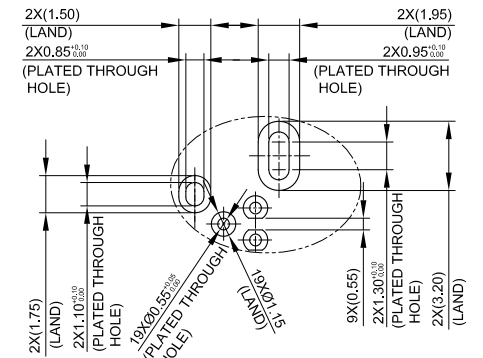
PIN	SIGNAL ASSIGNMENT	PIN	SIGNAL ASSIGNMENT
1	TMDS DATA2+	2	TMDS DATA2 SHIELD
3	TMDS DATA2-	4	TMDS DATA1+
5	TMDS DATA1 SHIELD	6	TMDS DATA1-
7	TMDS DATA0+	8	TMDS DATA0 SHIELD
9	TMDS DATA0-	10	TMDS CLOCK+
11	TMDS CLOCK SHIELD	12	TMDS CLOCK-
13	CEC	14	UTILITY
15	SCL	16	SDA
17	DDC/CEC GROUND	18	+5V POWER
19	HOT PLUG DETECT		



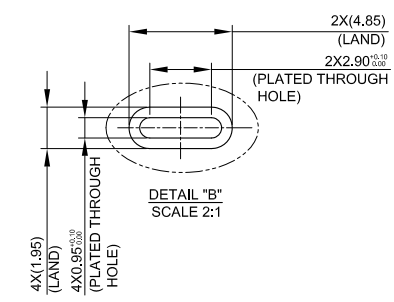
CONNECTOR STAND-OFF
RECOMMENDED PCB LAYOUT(TOP VIEW)
PCB THICKNESS:1.6mm (TOLERANCE:±0.05)
DIM.B=0MM FOR STANDARD HDMI E TYPE



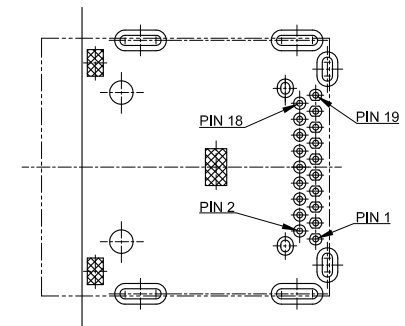
CONNECTOR STAND-OFF
RECOMMENDED PCB LAYOUT(TOP VIEW)
PCB THICKNESS:1.6mm (TOLERANCE:±0.05)
DIM.B=1MM FOR NON-STANDARD HDMI E TYPE



DETAIL "A"
SCALE 2:1



DETAIL "B"
SCALE 2:1



RECOMMENDED PCB LAYOUT(TOP VIEW)
PIN ASSIGNMENTS FOR STANDARD HDMI E TYPE

UNLESS OTHERWISE SPECIFIED TOLERANCES		APPROVAL		DATE	<h2>Amphenol</h2> <p>Amphenol East Asia Limited</p>	
0.0	+/-	U.S.	DRAWN	Harvey		11/02/15
0.00	+/-	METRIC	CHECKED			
FRACTIONS +/-		DRAWING FILE :		TITLE		
ANGLES +/-		DRAWING FILE : HDMF192080XXXX-0.000		CUSTOMER DRAWING FOR HDMI E TYPE R/A REC		
REMOVE SHARP EDGES		ANGLE OF PROJECTION		SIZE DRAWING NO.		
DIMENSIONS				A3 HDMF192080XXXX		
U.S. INCHES				SCALE		
(METRIC) (MM)				1:1		
				SHEET 2 OF 2		