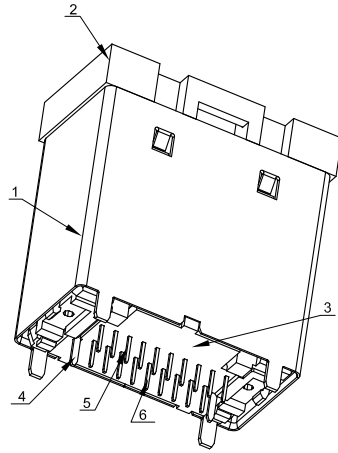
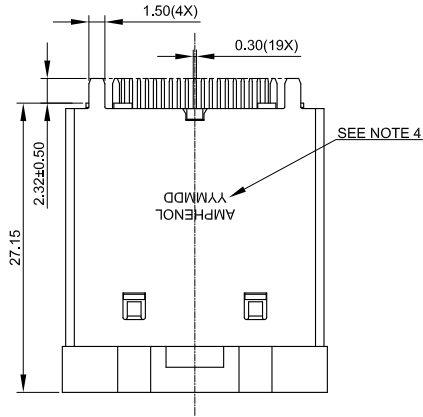


This document is the property of Amphenol Corporation and is delivered on the express condition that it is not to be disclosed, reproduced or used, in whole or in part, for manufacture or sale by anyone other than Amphenol Corporation without the prior consent, & that no right is granted to disclose or to use any information in this document.

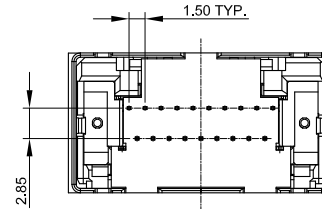
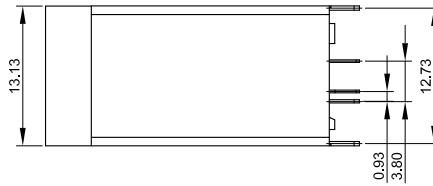
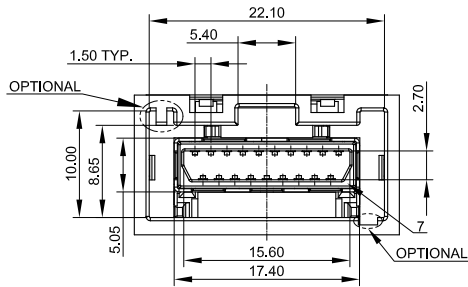
# CUSTOMER DRAWING

## REVISIONS

SYM	ECN	DESCRIPTION	DATE	APPROVED
1	N/A	FIRST RELEASE	10/31/14	IP
2	N/A	ADD PACKING INFORMATION	1/23/15	IP
3	N/A	ADD PIN ASSIGNMENT FOR NON-STANDARD HDMI E TYPE	2/12/15	IP
4	N/A	ADD FOOL-PROOFING FEATURE FOR NON-STANDARD HDMI E TYPE	04/01/15	IP
5	N/A	CANCEL PIN ASSIGNMENT FOR NON-STAND TYPE OPTION	10/15/15	IP
6	HK7388	ADD D/C;UPDATE DRAWING FORMAT	11/03/15	IP



NOTES:  
 1. MATERIAL:  
 PLASTIC: SEE TABLE 1  
 CONTACT: SEE TABLE 1  
 SHELL: SEE TABLE 1  
 2. FINISHED: REFER TO PART NUMBER INFORMATION  
 3. RoHS COMPLIANT  
 4. DATE CODE:YYMMDD  
 YY MEANS YEAR  
 MM MEANS MONTH  
 DD MEANS WORK DAY  
 EX. 150101 MEANS Jan. 1ST,2015  
 FONT:COURIER NEW  
 FONT HEIGHT:1.50MM  
 PART NUMBER:  
 HDMF192082-X-X-X-XX



PACKING OPTION  
 NONE: PACKING IN TAPE AND REEL  
 TR: PACKING IN TRAY  
 TYPE OPTION  
 NONE:NON-STANDARD HDMI E TYPE;  
 OUTER HSG COLOR:NATURE  
 1:STANDARD HDMI E TYPE  
 OUTER HSG COLOR:BLACK  
 CUSTOMER CODE  
 0:PER CUSTOMER REQUEST  
 ... ..  
 9:PER CUSTOMER REQUEST  
 PLATING OPTION  
 (CONTACT AREA/SOLDER TAIL):  
 0:UNPLATED;  
 1:AU 30U"/MATTE-TIN 2.54-5.08UM;  
 2:AU 15U"/MATTE-TIN 2.54-5.08UM;  
 A:GOLD FLASH/MATTE-TIN 2.54-5.08UM;

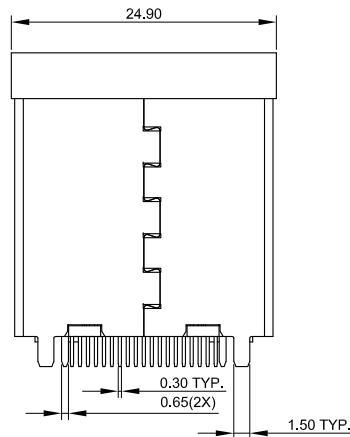


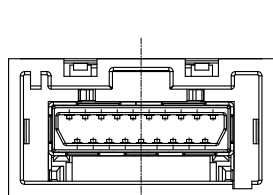
TABLE 1

ITEM	PART NAME	DESCRIPTION
7	INNER HSG	HIGH-TEMP. THERMOPLASTIC.COLOR: BLACK.UL94V-0
6	BOTTOM ROW TERMINAL	COPPER ALLOY.T=0.25±0.01
5	TOP ROW TERMINAL	COPPER ALLOY.T=0.25±0.01
4	INNER SHELL	COPPER ALLOY.SOLDERABLE NICKEL OVER ALL
3	SPACER	HIGH-TEMP. THERMOPLASTIC.COLOR: BLACK.UL94V-0
2	OUTER HSG	HIGH-TEMP. THERMOPLASTIC.COLOR: BLACK.UL94V-0
1	OUTER SHELL	COPPER ALLOY.SOLDERABLE NICKEL OVER ALL

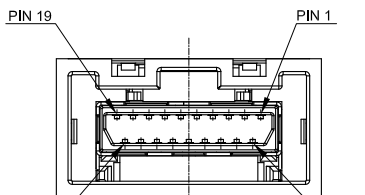
UNLESS OTHERWISE SPECIFIED TOLERANCES			APPROVAL		DATE	<h2>Amphenol</h2> <p>Amphenol East Asia Limited</p>
0.0	+/-	U.S.	DRAWN	Harvey	11/03/15	
0.00	+/-	METRIC	CHECKED			
FRACTIONS +/-			REMOVE SHARP EDGES		DRAWING FILE :	TITLE
ANGLES +/-			ANGLE OF PROJECTION			CUSTOMER DRAWING FOR HDMI E TYPE VTR REC
FOR MATERIALS AND FINISHES SEE NOTES			DIMENSIONS			SIZE DRAWING NO.
			U.S. INCHES			A3 HDMF192082XXXXX
			(METRIC) (MM)			REV. 6
			SCALE		1:1	SHEET 1 OF 2

This document is the property of Amphenol Corporation and is delivered on the express condition that it is not to be disclosed, reproduced or used, in whole or in part, for manufacture or sale by anyone other than Amphenol Corporation without the prior consent, & that no right is granted to disclose or to use any information in this document.

# CUSTOMER DRAWING



FRONT VIEW  
TYPE OPTION FOR  
NON-STANDARD HDMI E TYPE  
OUTER HSG COLOR:WHITE



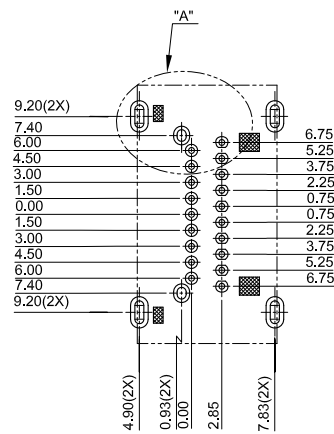
FRONT VIEW  
TYPE OPTION FOR  
STANDARD HDMI E TYPE  
OUTER HSG COLOR:BLACK

PIN ASSIGNMENTS FOR NON-STANDARD HDMI E TYPE:  
PER CUSTOMER'S DEFINING

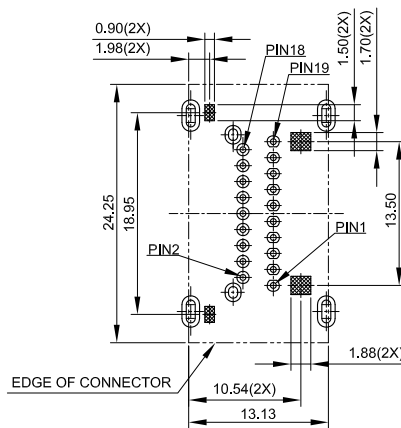
PIN ASSIGNMENTS FOR STANDARD HDMI E TYPE:

PIN	SIGNAL ASSIGNMENT	PIN	SIGNAL ASSIGNMENT
1	TMDS DATA2+	2	TMDS DATA2 SHIELD
3	TMDS DATA2-	4	TMDS DATA1+
5	TMDS DATA1 SHIELD	6	TMDS DATA1-
7	TMDS DATA0+	8	TMDS DATA0 SHIELD
9	TMDS DATA0-	10	TMDS CLOCK+
11	TMDS CLOCK SHIELD	12	TMDS CLOCK-
13	CEC	14	UTILITY
15	SCL	16	SDA
17	DDC/CEC GROUND	18	+5V POWER
19	HOT PLUG DETECT		

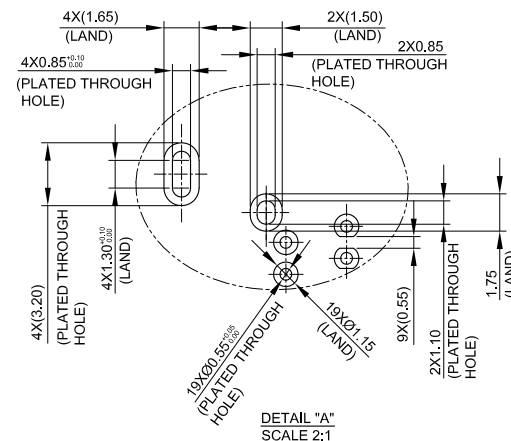
REVISIONS				
SYM	ECN	DESCRIPTION	DATE	APPROVED



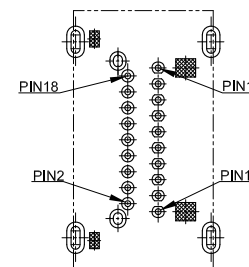
CONNECTOR STAND-OFF  
RECOMMENDED PCB LAYOUT(TOP VIEW)  
PCB THICKNESS:1.6mm  
(TOLERANCE:±0.05)



CONNECTOR STAND-OFF  
RECOMMENDED PCB LAYOUT(TOP VIEW)  
PCB THICKNESS:1.6mm  
(TOLERANCE:±0.05)



DETAIL "A"  
SCALE 2:1



RECOMMENDED PCB LAYOUT(TOP VIEW)  
PIN ASSIGNMENTS FOR STANDARD HDMI E TYPE

UNLESS OTHERWISE SPECIFIED TOLERANCES			APPROVAL		DATE	Amphenol Amphenol East Asia Limited
	U.S.	METRIC	DRAWN	Harvey	11/03/19	
0.0	+/-	0.50	CHECKED			
0.00	+/-	0.25	CHECKED			
FRACTIONS +/-			DRAWING FILE :			TITLE CUSTOMER DRAWING FOR HDMI E TYPE VTR REC
ANGLES +/-			DRAWING NO.:			
REMOVE SHARP EDGES			ANGLE OF PROJECTION			SIZE DRAWING NO.
DIMENSIONS						REV.
U.S.	INCHES					A3
(METRIC)	(MM)					HDMF192082XXXXX
SCALE		1:1		SHEET 2 OF 2		6