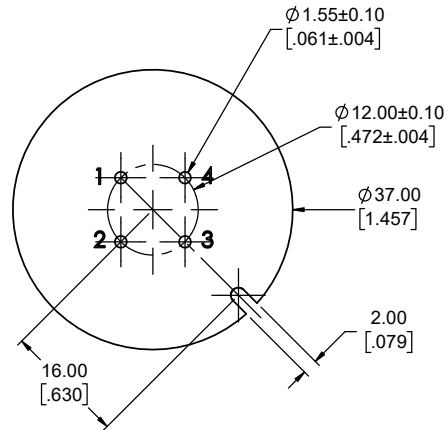
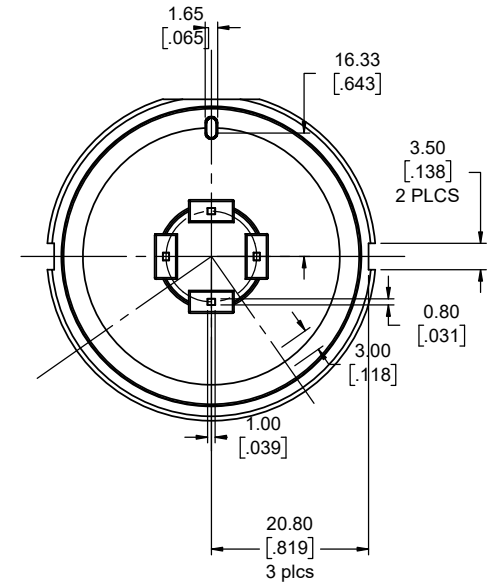
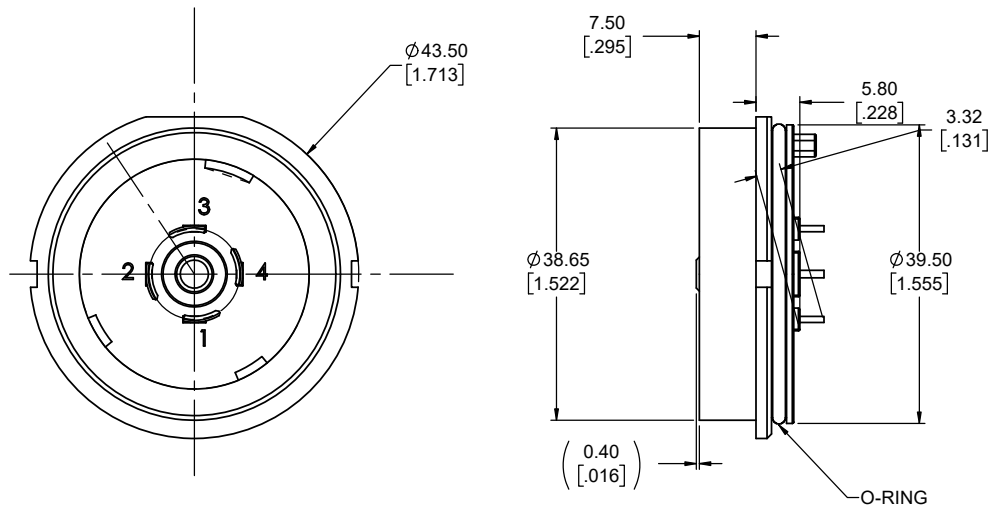


REVISIONS			
REV	DESCRIPTION, ECN, EAR NO.	DATE	APPD
B	CONTACT ASSIGNMENT TABLE UPDATED	FEB25/19	S.M
C	TYPO UPDATE	MAY14/19	S.M



PCB LAYOUT TOP VIEW

NOTES:

- MATERIALS: ALL MATERIALS ARE RoHS COMPLIANT PER EU DIRECTIVE 2011/65/EU & AMENDMENTS.
 - MODULE HOUSING: PBT, COLOUR: GREY
 - CONTACTS: COPPER ALLOY, FINISH: MATTE TIN OVER NICKEL
 - O-RING: SILICON RUBBER, COLOUR: BLACK

CONTACTS ASSIGNMENT TABLE	
CONTACT NO	ASSIGNMENT
1	+24 V AUX POWER SUPPLY
2	DA- (NEGATIVE POLE FOR DALI PROTOCOL AND POWER) GROUND FOR 24 V AUX POWER SUPPLY
3	DA+ (POSITIVE POLE FOR THE DALI PROTOCOL AND POWER)
4	NOT CONNECTED

AMPHENOL PART NUMBER: FLS-SB40-01



UNLESS SPECIFIED OTHERWISE	DRAWN	J.KONG	JUL25/18
PRIMARY UNITS MILLIMETERS	CHECKED	S.MUGAN	NOV27/18
SECONDARY INCHES	M.E. APPD		
REFERENCE IN PARENTHESES	Q.A. APPD		
GENERAL TOLERANCES	DWG APPR.		
1 DECIMAL PLACE	ENG. REL. NO.		
2 DECIMAL PLACES ±0.2	REF.		
3 DECIMAL PLACES	THIRD ANGLE PROJECTION		
ANGULAR DEGREES	DO NOT SCALE DRAWING		

Amphenol Canada Corp.
Commercial Products
FLS SERIES, LUMINAIRE EXTENSION
MODULE 40mm BASE,
ZHAGA COMPLIANT
RoHS COMPLIANT

DWG. NO. **P-FLS-SB40-01** REV **C**

CODE ID NO. 03554 DWG SIZE: X SCALE: 2:1 SHEET 1 OF 1