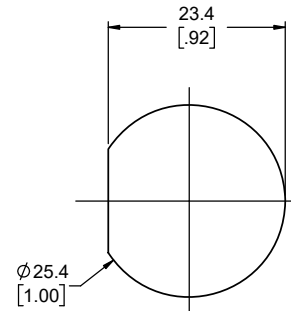


REVISIONS			
REV	DESCRIPTION, ECN, EAR NO.	DATE	APPD
B	PROPOSAL DRWING	SEP12/18	A.G.
C	PART NUMBER TYPO CORRECTED	MAR12/19	S.M.

USB CONNECTOR TERMINATION ASSIGNMENT	
CONTACT NUMBER	WIRING ASSIGNMENT
1	RED
2	WHITE
3	GREEN
4	BLACK
SHELL	DRAIN WIRE

NOTES:

- MATERIAL: ALL MATERIALS ARE RoHS COMPLIANT PER EU DIRECTIVE 2011/65/EU & AMENDMENTS:
 - HOUSING AND NUT: GLASS FILLED THERMOPLASTIC, UL FLAMMABILITY RATING 94V-0, BLACK
 - GASKET: SILICON RUBBER
 - CONTACT: COPPER ALLOY PLATED WITH GOLD OVER NICKEL ON MATING AREA.
 - SHIELD: STAINLESS STEEL
 - INTERNAL PCB: FR4 FIBER GLASS
- SPECIFICATIONS:
 - NUMBER OF CONTACTS: 4
 - INGRESS PROTECTION: IP67 / 68
 - MECHANICAL LIFE: 1500 MATING CYCLES
 - OPERATING TEMPERATURE: -45 - +85°C
 - DWV: 500VAC / 1 MINUTE @ SEA LEVEL
 - SPEED: 480 Mbps
 - CONTACT RESISTANCE: 30 MILLIOHMS MAX.
 - INSULATION RESISTANCE: 1000 MEGOHMS MIN.
 - CURRENT RATING: 1.5 A
 - MAX TORQUE FOR RUNNING THREAD: 0.5 IN-LBS MAX
 - MATING FORCES: MATING 35N MAX, UNMATING 10N MIN
- RECOMMENDED PANEL THICKNESS: 4.00 (.157) THICKNESS.
- PRODUCT SPEC #S6148C
- TOLERANCE "A" IS ±10mm (±.39") WHEN CABLE LENGTHS "L" ARE LESS THAN OR UP TO 1 METER, TOLERANCE "A" IS ±50mm (±1.97") WHEN CABLE LENGTHS "L" IS 1 METER OR LONGER. SEE TABLE 1 BELOW FOR ORDERING CODES.



RECOMMENDED PANEL CUTOUT
OUTSIDE VIEW OF PANEL

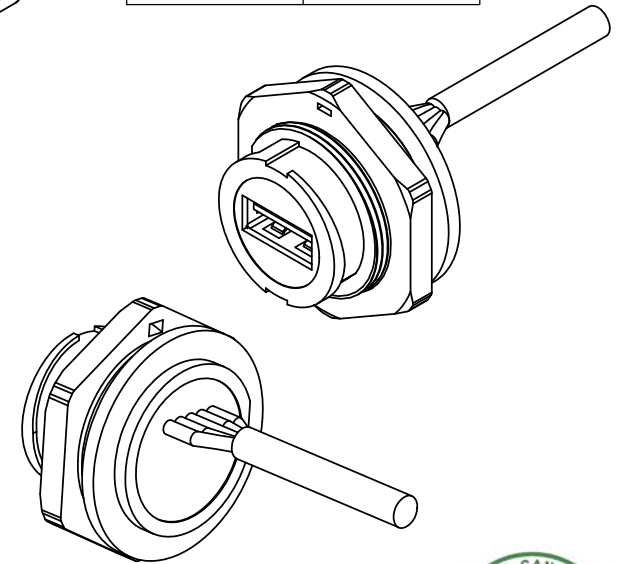


TABLE 1: XX DEFINITION & "LENGTH" DIMENSION

FOR LENGTHS LESS THAN TO 1 METER, PART NUMBER CODE XX IS 01 TO 99 & "LENGTH" DIMENSION IS FROM 1 TO 99cm (10 TO 990mm), SEE NOTE 3 FOR TOLERANCE					
FOR LENGTHS 1 METER AND LONGER UP TO A MAXIMUM OF 5 METERS					
FIRST DIGIT OF XX			SECOND DIGIT OF XX		
CODE	LENGTH		CODE	LENGTH ADDITION	
	METERS	MILLIMETERS		METERS	MILLIMETERS
A	1.0	1000	0	0	0
B	2.0	2000	1	0.1	100
C	3.0	3000	2	0.2	200
D	4.0	4000	3	0.3	300
E	5.0	5000	4	0.4	400
-	-	-	5	0.5	500
-	-	-	6	0.6	600
-	-	-	7	0.7	700
-	-	-	8	0.8	800
-	-	-	9	0.9	900

WHEN FIRST DIGIT IS "E", SECOND DIGIT MUST BE "0"

ORDERING CODE: M R U - A F 4 1 - 2 0 X X

- SERIES** _____
- STYLE** _____
A = USB 2.0TYPE A
- CONNECTOR TYPE** _____
F = FEMALE
- CONNECTOR MOUNTING FEATURE** _____
4 = PANEL MOUNT - LOCKING BAYONET TYPE
- WIRE LENGTH** _____
SEE WIRE LENGTH TABLE (NOTE 5)
- COVER OPTION** _____
0 = NO COVER
- TERMINATION** _____
2 = PIGTAIL
- PLATING** _____
1 = GOLD AT MATING AREA STANDARD

UNLESS SPECIFIED OTHERWISE	DRAWN	B COPPING	JUN20/18
PRIMARY UNITS MILLIMETERS	CHECKED	S.MUGAN	JUN20/18
SECONDARY	M.E. APPD		
REFERENCE IN PARENTHESES	Q.A. APPD		
GENERAL TOLERANCES	DWG APPR.		
1 DECIMAL PLACE ±0.25	ENG. REL. NO.		
2 DECIMAL PLACES ±0.15	REF.		
3 DECIMAL PLACES	THIRD ANGLE PROJECTION	DO NOT SCALE DRAWING	
ANGULAR DEGREES			

Amphenol Canada Corp. Commercial Products			
MRU SERIES CONNECTOR, USB 2.0 TYPE A, BAYONET LOCK RECEPTACLE FOR PCB TERMINATION, RoHS COMPLIANT			
DWG. NO.	P-MRU-AF41-20XX		REV C
CODE ID NO.	03554	DWG SIZE: X	SCALE: 2:1 SHEET 1 OF 1