

REVISIONS				
REV.	ECN	DESCRIPTION	DATE	APPROVED
C		PIN MARKING ADDED, CORRECTED HOLE QUANTITY	APR30/14	CM

- NOTES:
- DATA X AND Y ESTABLISHED BY CUSTOMER'S FIDUCIAL.
 - LOCATION OF EDGE OF PCB IS APPLICATION SPECIFIC.
 - FINISHED HOLE SIZE.
 - TRACES IN THE INDICATED AREA ARE ONLY ALLOWED FOR APPLICATIONS WITH INSULATING TAPE

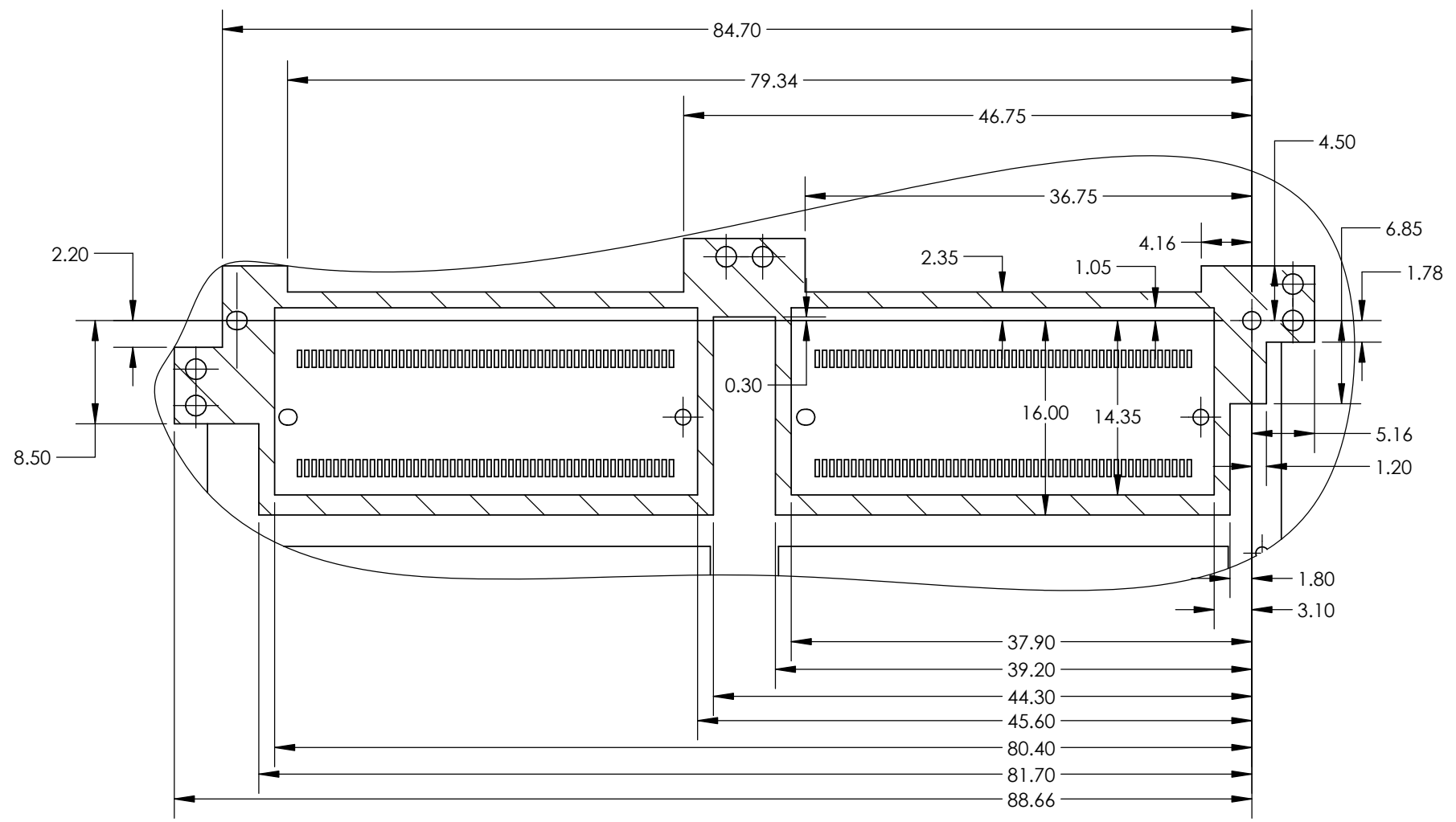
RECOMMENDED PCB BOARD LAYOUT
(COMPONENT SIDE OF BOARD)

DO NOT SCALE DRAWING

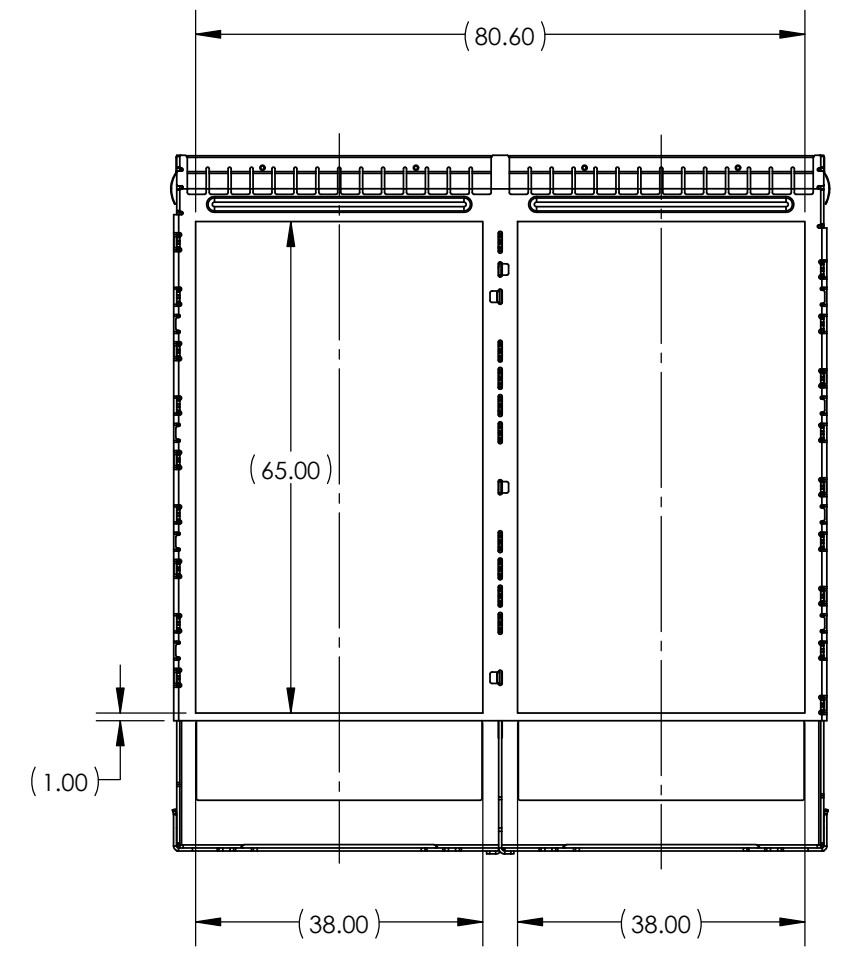
THIS DOCUMENT CONTAINS PROPRIETARY INFORMATION AND SUCH INFORMATION MAY NOT BE DISCLOSED TO OTHERS FOR ANY PURPOSE OR USED FOR MANUFACTURING PUPOSES WITHOUT PERMISSION FROM AMPHENOL CANADA CORP.

UNLESS OTHERWISE SPECIFIED DIMENSIONS ARE IN MILLIMETERS TOLERANCES ARE: DECIMALS X.X ± 0.25 X.XX ± 0.15 MATERIAL AND FINISH SEE NOTE 1 REF. CODE IDENT. NO. 03554	APPROVALS	DATE	Amphenol High Speed Interconnects	
	DRAWN HISEN X.	SEP05/13		
	DESIGNED C.MICHLIK	SEP05/13	CFP2 2 PORT CAGE ASSEMBLY ONLY (PRESS FIT PINS)	
	CHECKED C.MICHLIK	OCT07/13		
QA APPD		IE APPD	SIZE A3	DWG. NO. P-U98-B21X-X0XX
		DWG APPD C.MICHLIK	SCALE 1:1	PROJECT
		OCT07/13		SHEET 2 OF 4

REVISIONS				
REV.	ECN	DESCRIPTION	DATE	APPROVED
C		PIN MARKING ADDED, CORRECTED HOLE QUANTITY	APR30/14	CM



DETAIL B
SCALE 2 : 1



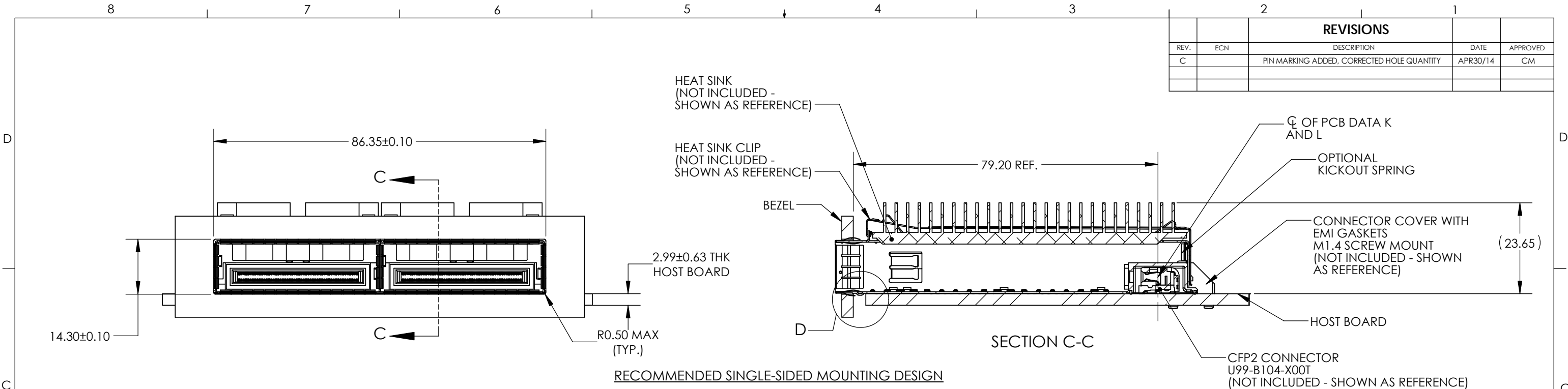
INSULATING TAPE OPTION
(P/N U98-B212-X0XX SHOWN)

DO NOT SCALE DRAWING

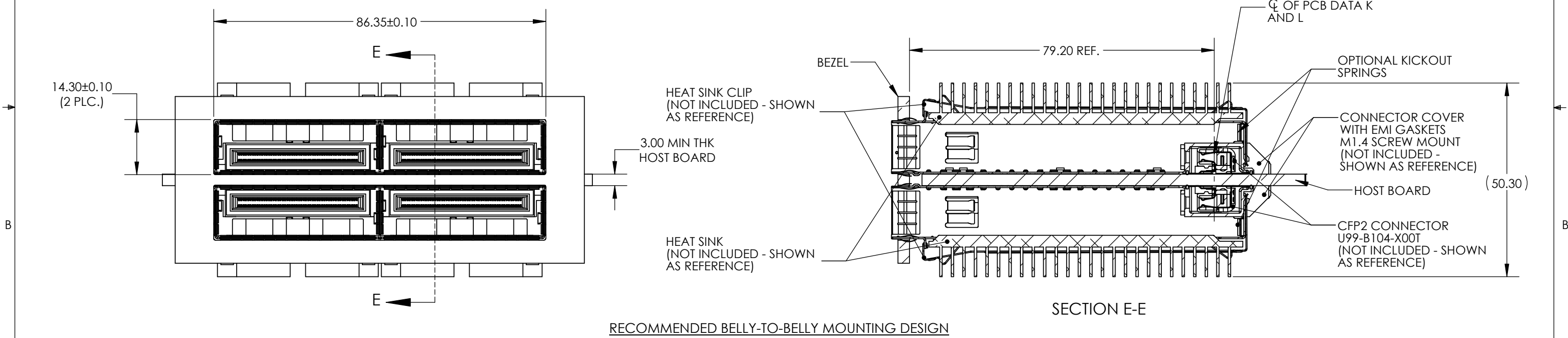
THIS DOCUMENT CONTAINS PROPRIETARY INFORMATION AND SUCH INFORMATION MAY NOT BE DISCLOSED TO OTHERS FOR ANY PURPOSE OR USED FOR MANUFACTURING PUPOSES WITHOUT PERMISSION FROM AMPHENOL CANADA CORP.

UNLESS OTHERWISE SPECIFIED DIMENSIONS ARE IN MILLIMETERS TOLERANCES ARE: DECIMALS ANGLES X.X ± 0.25 ± 0.5° X.XX ± 0.15	APPROVALS		DATE	Amphenol High Speed Interconnects		
	DRAWN	HISEN X.	SEP05/13			
	DESIGNED		C.MICHLIK	SEP05/13	TITLE CFP2 2 PORT CAGE ASSEMBLY ONLY (PRESS FIT PINS)	
	CHECKED		C.MICHLIK	OCT07/13		
MATERIAL AND FINISH		SEE NOTE 1				
REF.	IE APP'D			SIZE A3	DWG. NO. P-U98-B21X-X0XX	REV. C
CODE IDENT. NO.	03554	DWG APP'D C.MICHLIK	OCT07/13	SCALE 1:1	PROJECT	SHEET 3 OF 4

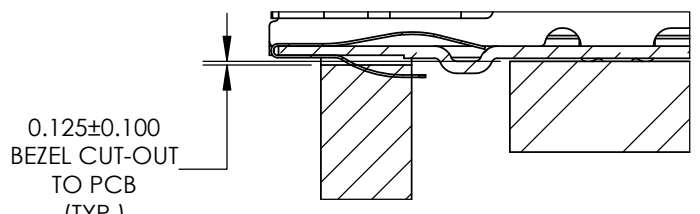
REVISIONS				
REV.	ECN	DESCRIPTION	DATE	APPROVED
C		PIN MARKING ADDED, CORRECTED HOLE QUANTITY	APR30/14	CM



RECOMMENDED SINGLE-SIDED MOUNTING DESIGN



RECOMMENDED BELLY-TO-BELLY MOUNTING DESIGN



DETAIL D
SCALE 4 : 1

DO NOT SCALE DRAWING

THIS DOCUMENT CONTAINS PROPRIETARY INFORMATION AND SUCH INFORMATION MAY NOT BE DISCLOSED TO OTHERS FOR ANY PURPOSE OR USED FOR MANUFACTURING PUPOSES WITHOUT PERMISSION FROM AMPHENOL CANADA CORP.

UNLESS OTHERWISE SPECIFIED DIMENSIONS ARE IN MILLIMETERS TOLERANCES ARE: DECIMALS X.X ± 0.25 X.XX ± 0.15 MATERIAL AND FINISH SEE NOTE 1 REF. CODE IDENT. NO. 03554	APPROVALS	DATE	Amphenol High Speed Interconnects	
	DRAWN HISEN X.	SEP05/13	TITLE	
	DESIGNED C.MICHLIK	SEP05/13	CFP2 2 PORT CAGE ASSEMBLY ONLY (PRESS FIT PINS)	
	CHECKED C.MICHLIK	OCT07/13		
	QA APPD		SIZE A3	DWG. NO. P-U98-B21X-X0XX
	IE APPD		SCALE 1:1	PROJECT
	DWG APPD C.MICHLIK	OCT07/13	SHEET 4 OF 4	REV. C