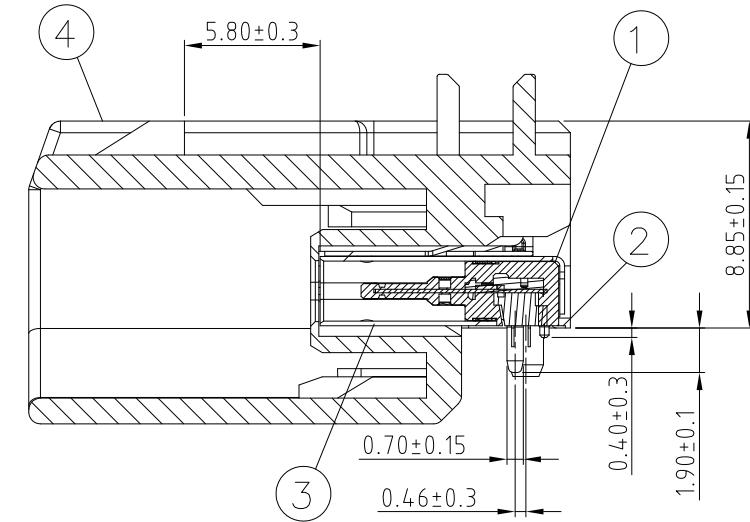
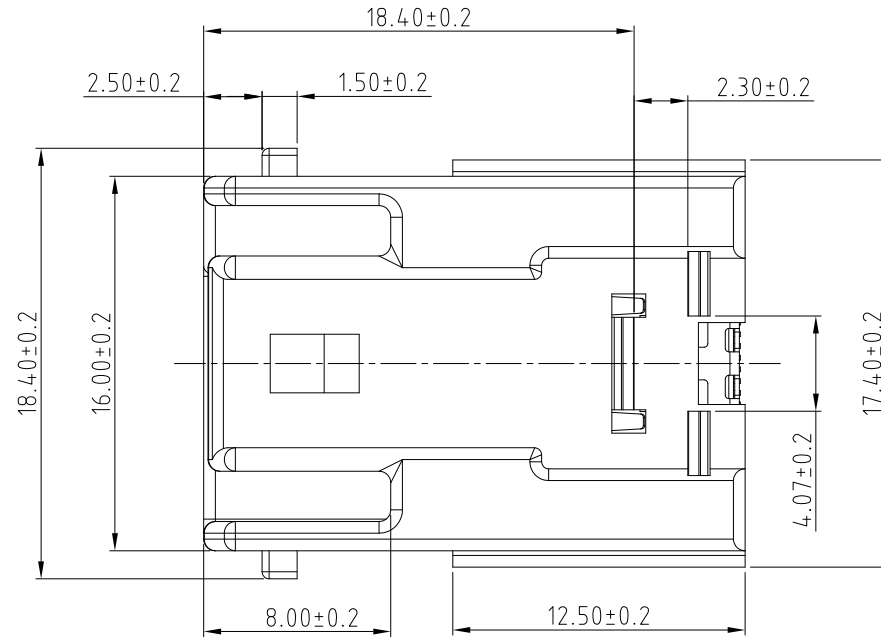
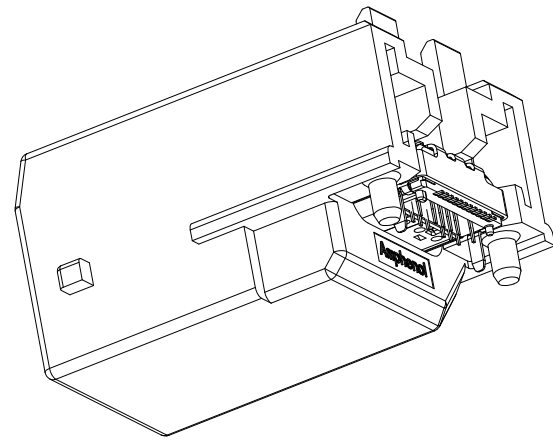


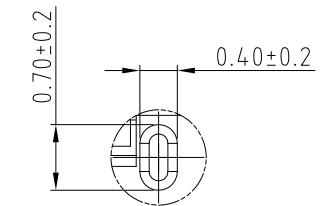
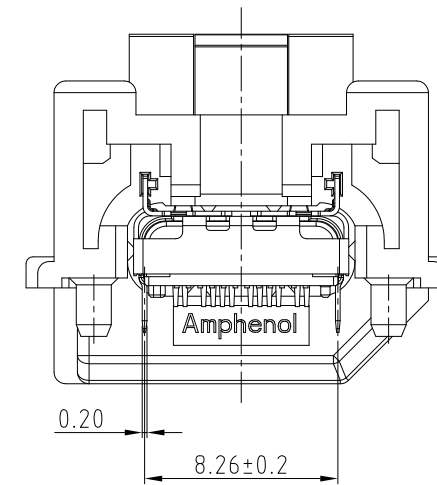
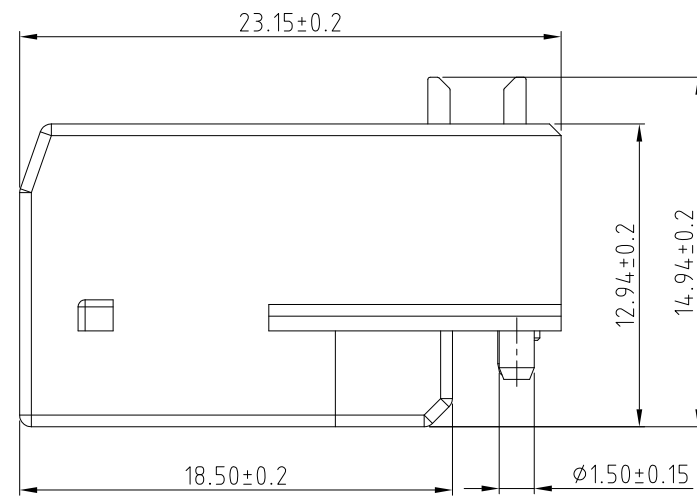
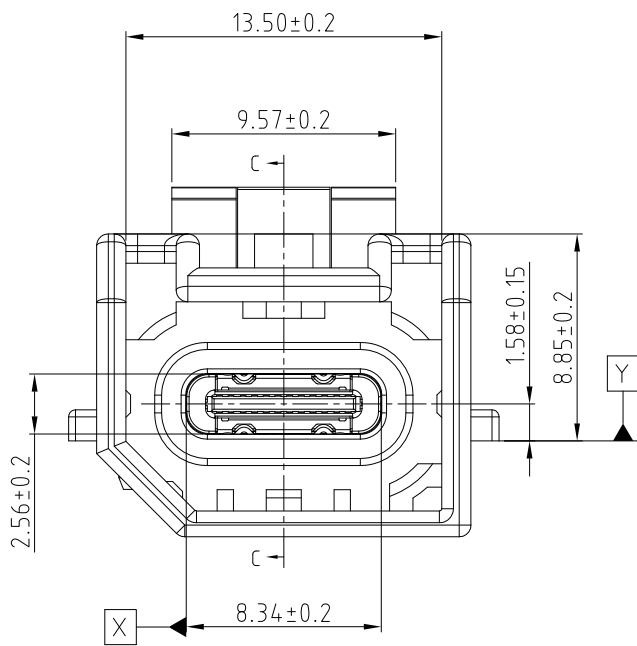
This document is the property of Amphenol Corporation and is delivered on the express condition that it is not to be disclosed, reproduced or used, in whole or in part, for manufacture or sale by anyone other than Amphenol Corporation without its prior consent, & that no right is granted to disclose or to use any information in this document.

# CUSTOMER DRAWING

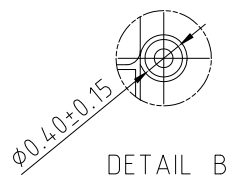
REVISIONS				
SYM	ECN	DESCRIPTION	DATE	APPROVED
1	N/A	FIRST RELEASE	02/18'19	IP



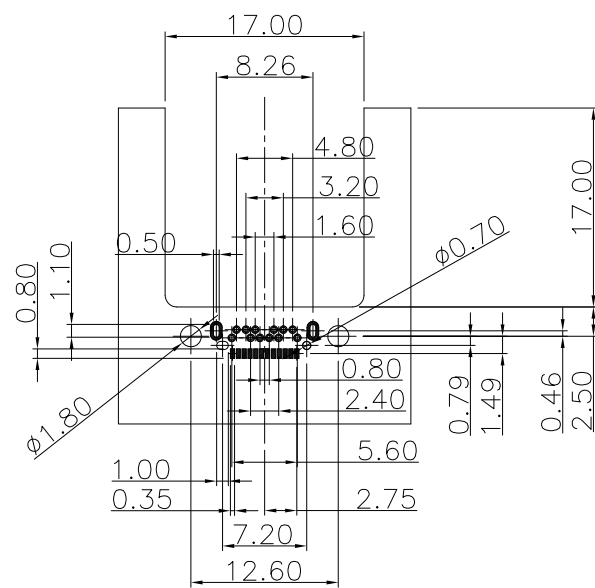
SECTION C-C  
SCALE 1:1



DETAIL A  
SCALE 4:1

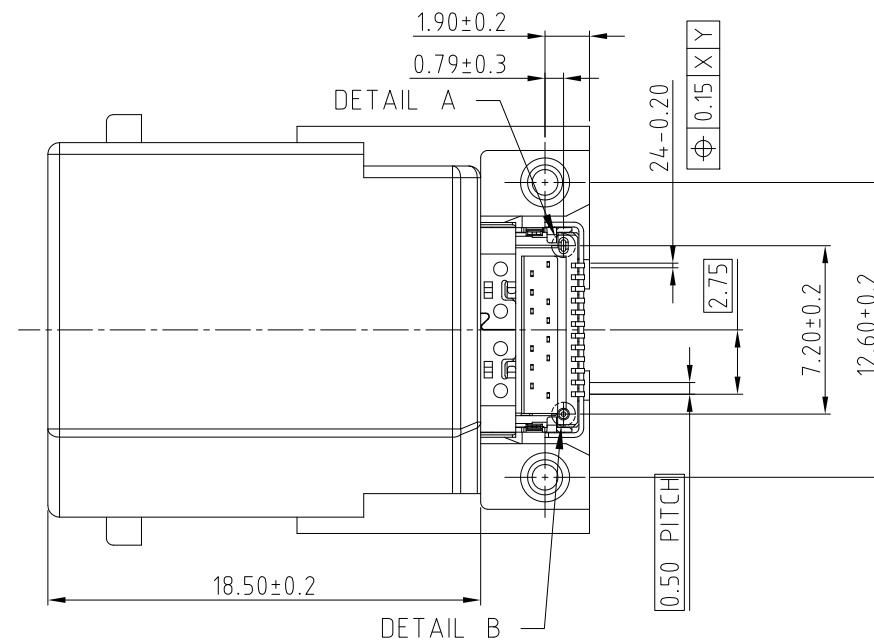


DETAIL B  
SCALE 4:1



RECOMMENDED PCB LAYOUT

THICKNESS 1.60mm  
TOLERANCE +/-0.05mm, SCALE 1:2



No	Part name	Q'ty	Material	Finish	Remark
4	Outer-Housing	1	Nylon	See the table	-
3	Shell	1	Stainless Steel	Note 2	T0.2
2	Contact	24	Copper Alloy	Note 2	T0.1
1	Housing of USB CONN.	1	High temperature thermoplastic	Black Color	-

UNLESS OTHERWISE SPECIFIED TOLERANCES		APPROVAL	DATE
.X	+/-	DRAWN Young	02/14'19
.XX	+/-	CHECKED	
.XXX	+/-	CHECKED	
FRACTIONS	+/-		
ANGLES	+/-		
FOR MATERIALS AND FINISHES SEE NOTES		DRAWING FILE :	
REMOVE SHARP EDGES		ANGLE OF PROJECTION	
DIMENSIONS			
U.S.	INCHES		
(METRIC)	(MM)		

<b>Amphenol</b>	
Amphenol East Asia Limited	
TITLE Customer Drawing For HSBridge+ USB TYPE-C R/A TAIL HYBRID RECEPTACLE	
SIZE A3	DRAWING NO. UTCXRX11001HX
SCALE NONE	REV. 1
SHEET 1 OF 1	

This document is the property of Amphenol Corporation and is delivered on the express condition that it is not to be disclosed, reproduced or used, in whole or in part, for manufacture or sale by anyone other than Amphenol Corporation without its prior consent, & that no right is granted to disclose or to use any information in this document.

# CUSTOMER DRAWING

REVISIONS				
SYM	ECN	DESCRIPTION	DATE	APPROVED
1	N/A	FIRST RELEASE	02/18'19	IP

TABLE: CODE OPTION

CODE	RECEPTACLE	CASE COLOR	CASE COLOR	RECEPTACLE	CODE
A		JET BLACK	CLARET VIOLET		B
C		NUT BROWN	LEAF GREEN		D
E		SIGNAL BLUE	CREAM WHITE		F
G		BLUE GRAY	YELLOW GREEN		H
J		BEIGE	CURRY		K

NOTES/注释:

- MATERIAL/材料:
  - OUTER-HOUSING: HIGH TEMPERATURE THERMOPLASTIC, UL94V-0, COLOR:PER THE TABLE.  
外壳: 耐高温热塑性塑胶, UL94 V-0防火等级, 颜色依表格
  - CONTACTS/端子: COPPER ALLOY/铜合金  
PLATING: REFER TO P/N SYSTEM ON MATING AREA.  
电镀规格: 接触区域电镀请参考料号编码对应编码  
1.27um MIN NICKEL UNDER PLATED OVERALL.  
整体底层镀材为镍层, 厚度最少1.27微米。  
2.54um MIN PURE MATTE TIN ON SOLDER TAILS.  
焊接区域为雾锡, 厚度最少2.54微米
  - INNER SHELL:STAINLESS STEEL; NICKEL PLATING.  
铁壳: 不锈钢, 镀镍。
  - OUTER SHELL:STAINLESS STEEL; NICKEL PLATING.  
铁壳: 不锈钢, 镀镍。
- GENERAL SPECIFICATION/通用特性:
  - CURRENT RATING: 5A.  
额定电流: 5安培。
  - CONTACT RESISTANCE: 40mΩ MAX (INITIAL).  
接触电阻: 40毫欧最大(初始值)
  - INSULATOR RESISTANCE: 100MΩ MIN.  
接触电阻: 100兆欧最小
  - DIELECTRIC WITHSTANDING VOLTAGE: 100 VAC  
耐电压: 100伏交流
  - OPERATION TEMPERATURE: -20°C~+85°C  
操作温度: 零下20摄氏度至85摄氏度
- DIMENSIONING SHALL BE INTERPRETED PER ASME Y14.5M 1994.  
尺寸标注基于ASME Y14.5M 1994 标准规范
- MATERIAL SHOULD BE FULFILLED AMPHENOL SPEC.# S-SN-002, FOR HALOGEN FREE PRODUCTS, ALSO NEED TO MEET S-SN-004.  
产品材料环保标准为Amphenol SSN#002,如果是无卤产品需满足标准SSN#004
- ORDER P/N SYSTEM/产品料号编码系统:

NOTE: Pins Description

Pin No	Signal Name	Mating Sequence	Pin No	Signal Name	Mating Sequence
A1	GND	First	B12	GND	First
A2	TX1+	Second	B11	RX1+	Second
A3	TX1-	Second	B10	RX1-	Second
A4	Vbus	First	B9	Vbus	First
A5	CC1	Second	B8	SBU2	Second
A6	D+	Second	B7	D-	Second
A7	D-	Second	B6	D+	Second
A8	SBU1	Second	B5	CC2	Second
A9	Vbus	First	B4	Vbus	First
A10	RX2-	Second	B3	TX2-	Second
A11	RX2+	Second	B2	TX2+	Second
A12	GND	First	B1	GND	First
SHELL	GND		SHELL	GND	

UTC-X-R-XX-1-1-001-H-X

Auto USB Type-C Series  
Code of Outer housing:

A: Code A, color jet black  
B: Code B, color claret violet  
C: Code C, color nut brown  
D: Code D, color leaf green  
E: Code E, color signal blue  
F: Code F, color cream white  
G: Code G, color blue gray  
H: Code H, color yellow green  
J: Code J, color beige  
K: Code K, color curry  
R: Receptacle

Packing option:  
R: Reel  
T: Tray

Solder type:  
H: SMT & DIP Hybrid type

Sequence No.: 001 ~ 999

Plating option(Contact area/Solder area):  
1: Au 0.75μm/ Tin 2.54μm min plated  
1: Right angle  
2: Vertical

01: Shell solder tail height 1.99mm



UNLESS OTHERWISE SPECIFIED TOLERANCES		APPROVAL	DATE	Amphenol Amphenol East Asia Limited
U.S. METRIC		DRAWN Young	02/14'19	
.X +/-	0.50	CHECKED		TITLE Customer Drawing For HSBridge+ USB TYPE-C R/A TAIL HYBRID RECEPTACLE
.XX +/-	0.15	CHECKED		
.XXX +/-	0.10	DRAWING FILE :		SIZE DRAWING NO. A3 UTCRXX11001HX
FRACTIONS +/-		ANGLE OF PROJECTION		
ANGLES +/-	3'	REMOVE SHARP EDGES		SCALE NONE
DIMENSIONS		U.S. INCHES		SHEET 1 OF 1
(METRIC) (MM)		(METRIC) (MM)		