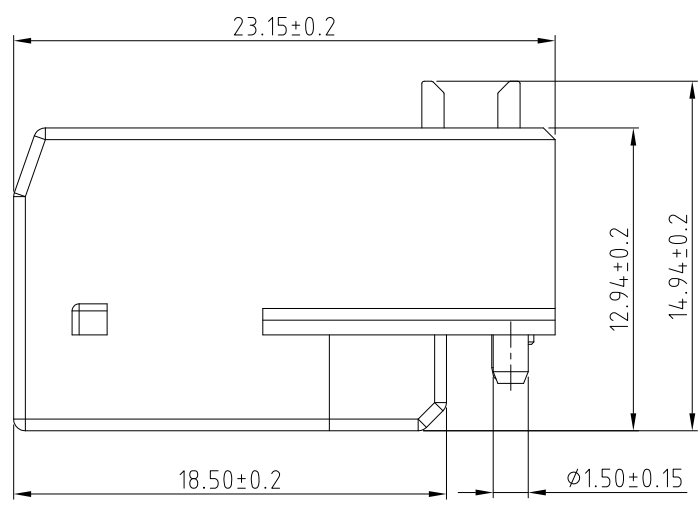
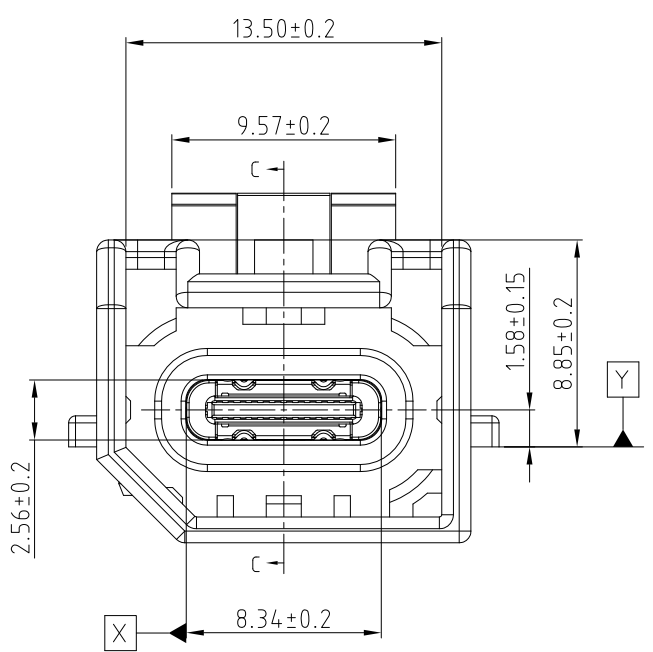
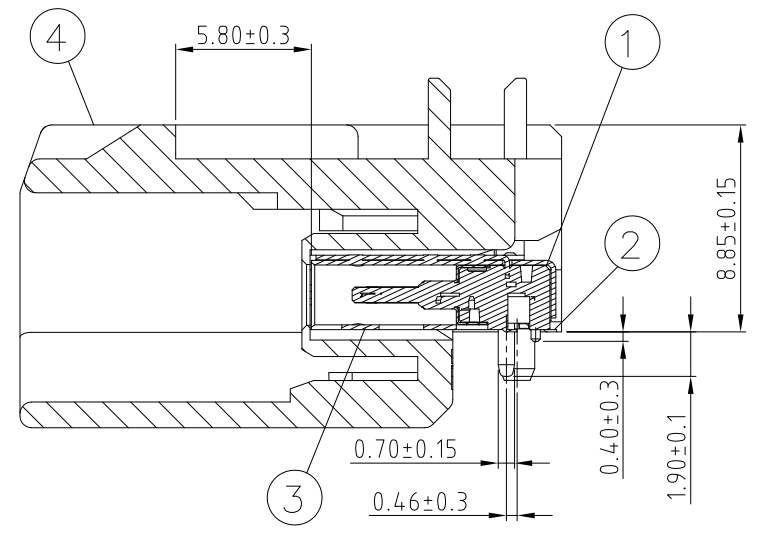
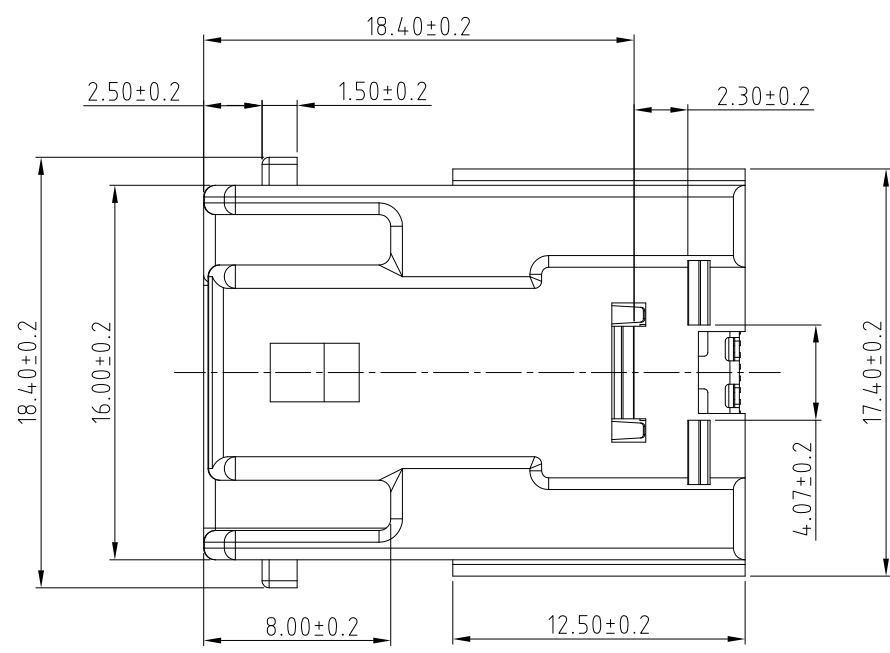
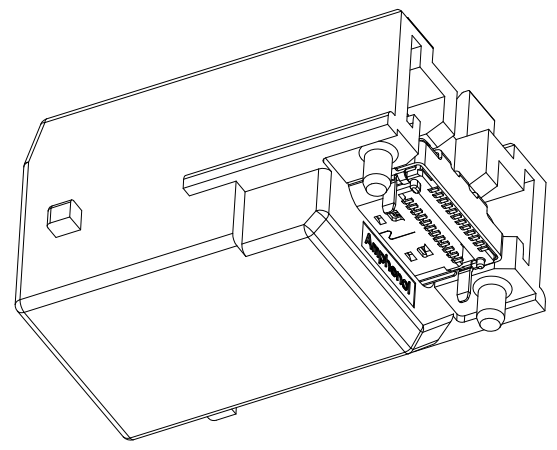


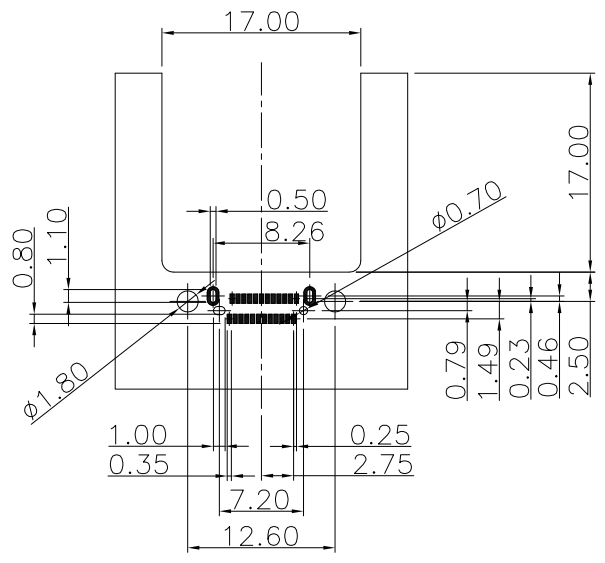
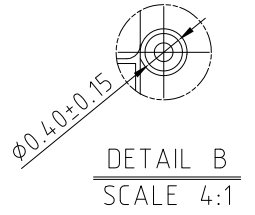
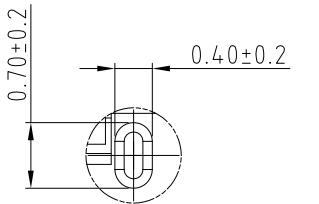
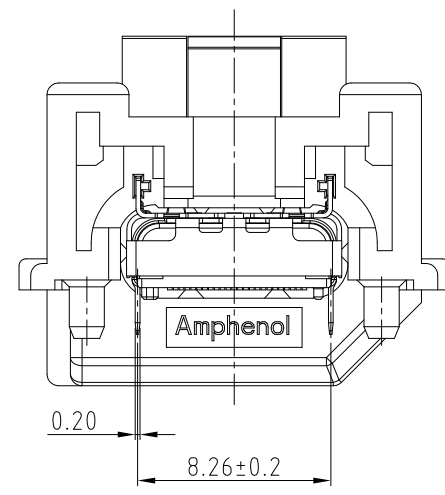
This document is the property of Amphenol Corporation and is delivered on the express condition that it is not to be disclosed, reproduced or used, in whole or in part, for manufacture or sale by anyone other than Amphenol Corporation without its prior consent, & that no right is granted to disclose or to use any information in this document.

# CUSTOMER DRAWING

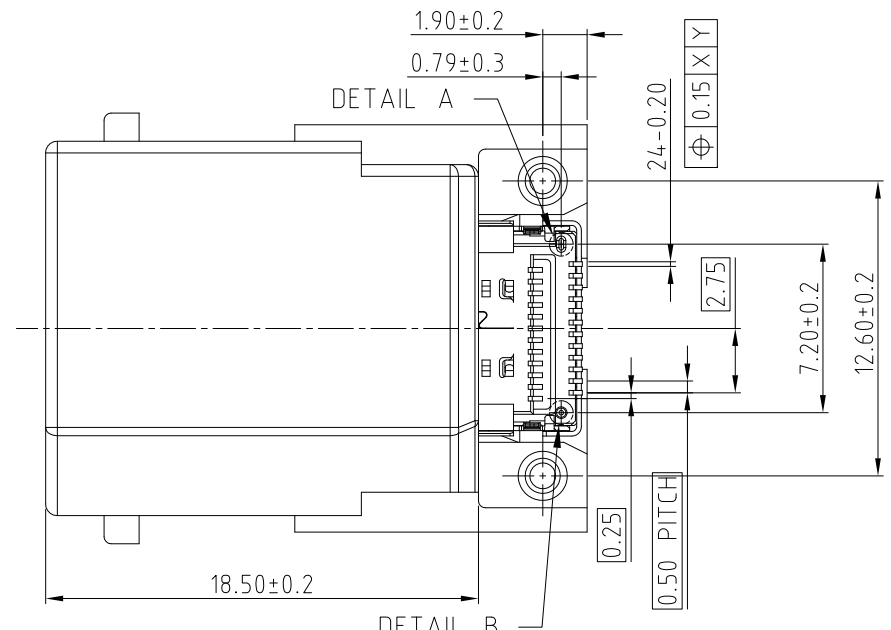
| REVISIONS |     |   |          |          |
|-----------|-----|---|----------|----------|
| SYM       | ECN | DESCRIPTION                                       | DATE     | APPROVED |
| 1         | N/A | FIRST RELEASE                                     | 02/08'18 | IP       |
| 2         | N/A | UPDATED THE PN                                    | 09/28'18 | IP       |
| 3         | N/A | ADDED RETAIN FEATURE TO THE TYPE-C CONN.          | 12/03'18 | IP       |
| 4         | N/A | UPDATED THE KEY CODE COLOR & ADDED PACKAGE METHOD | 02/18'19 | IP       |



SECTION C-C  
SCALE 1:1



RECOMMENDED PCB LAYOUT  
THICKNESS 1.60mm  
TOLERANCE +/-0.05mm, SCALE 1:2



| No | Part name            | Q'ty | Material                       | Finish        | Remark |
|----|----------------------|------|--------------------------------|---------------|--------|
| 4  | Outer-Housing        | 1    | Nylon                          | See the table | -      |
| 3  | Shell                | 1    | Stainless Steel                | Note 2        | T0.2   |
| 2  | Contact              | 24   | Copper Alloy                   | Note 2        | T0.1   |
| 1  | Housing of USB CONN. | 1    | High temperature thermoplastic | Black Color   | -      |

|                                       |          |                     |          |
|---------------------------------------|----------|---------------------|----------|
| UNLESS OTHERWISE SPECIFIED TOLERANCES |          | APPROVAL            | DATE     |
| U.S.                                  | METRIC   | DRAWN Young         | 10/15'18 |
| .X                                    | +/- 0.50 | CHECKED             |          |
| .XX                                   | +/- 0.15 | CHECKED             |          |
| .XXX                                  | +/- 0.10 |                     |          |
| FRACTIONS                             | +/-      |                     |          |
| ANGLES                                | +/- 3°   |                     |          |
| FOR MATERIALS AND FINISHES SEE NOTES  |          | DRAWING FILE :      |          |
| REMOVE SHARP EDGES                    |          | ANGLE OF PROJECTION |          |
| DIMENSIONS                            |          |                     |          |
| U.S.                                  | INCHES   |                     |          |
| (METRIC)                              | (MM)     |                     |          |

|  |                           |        |
|--|---------------------------|--------|
| Amphenol   |                           |        |
| Amphenol East Asia Limited   |                           |        |
| TITLE Customer Drawing For HSBridge+ USB TYPE-C R/A TAIL DUAL SMT RECEPTACLE |                           |        |
| SIZE A3  | DRAWING NO. UTCRXX11001SX | REV. 4 |
| SCALE NONE   | SHEET 1 OF 1              |        |

# CUSTOMER DRAWING

## REVISIONS

| SYM | ECN | DESCRIPTION                                       | DATE     | APPROVED |
|-----|-----|---|----------|----------|
| 1   | N/A | FIRST RELEASE                                     | 02/08'18 | IP       |
| 2   | N/A | UPDATED THE PN                                    | 09/28'18 | IP       |
| 3   | N/A | ADDED RETAIN FEATURE TO THE TYPE-C CONN.          | 12/03'18 | IP       |
| 4   | N/A | UPDATED THE KEY CODE COLOR & ADDED PACKAGE METHOD | 02/18'19 | IP       |

TABLE: CODE OPTION

| CODE | RECEPTACLE | CASE COLOR  | CASE COLOR    | RECEPTACLE | CODE |
|------|------------|-------------|---------------|------------|------|
| A    |            | JET BLACK   | CLARET VIOLET |            | B    |
| C    |            | NUT BROWN   | LEAF GREEN    |            | D    |
| E    |            | SIGNAL BLUE | CREAM WHITE   |            | F    |
| G    |            | BLUE GRAY   | YELLOW GREEN  |            | H    |
| J    |            | BEIGE       | CURRY         |            | K    |

NOTES/注释:

- MATERIAL/材料:
  - OUTER-HOUSING: HIGH TEMPERATURE THERMOPLASTIC, UL94V-0, COLOR:PER THE TABLE.  
外壳: 耐高温热塑性塑胶, UL94 V-0防火等级, 颜色依表格
  - CONTACTS/端子: COPPER ALLOY/铜合金  
PLATING: REFER TO P/N SYSTEM ON MATING AREA.  
电镀规格: 接触区域电镀请参考料号编码对应编码  
1.27um MIN NICKEL UNDER PLATED OVERALL.  
整体底层镀材为镍层, 厚度最少1.27微米。  
2.54um MIN PURE MATTE TIN ON SOLDER TAILS.  
焊接区域为雾锡, 厚度最少2.54微米
  - INNER SHELL:STAINLESS STEEL; NICKEL PLATING.  
铁壳: 不锈钢, 镀镍。
  - OUTER SHELL:STAINLESS STEEL; NICKEL PLATING.  
铁壳: 不锈钢, 镀镍。
- GENERAL SPECIFICATION/通用特性:
  - CURRENT RATING: 5A.  
额定电流: 5安培。
  - CONTACT RESISTANCE: 40mΩ MAX (INITIAL).  
接触电阻: 40毫欧最大(初始值)
  - INSULATOR RESISTANCE: 100MΩ MIN.  
接触电阻: 100兆欧最小
  - DIELECTRIC WITHSTANDING VOLTAGE: 100 VAC  
耐电压: 100伏交流
  - OPERATION TEMPERATURE: -20°C~+85°C  
操作温度: 零下20摄氏度至85摄氏度
- DIMENSIONING SHALL BE INTERPRETED PER ASME Y14.5M 1994.  
尺寸标注基于ASME Y14.5M 1994 标准规范
- MATERIAL SHOULD BE FULFILLED AMPHENOL SPEC.# S-SN-002, FOR HALOGEN FREE PRODUCTS, ALSO NEED TO MEET S-SN-004.  
产品材料环保标准为Amphenol SSN#002,如果是无卤产品需满足标准SSN#004
- ORDER P/N SYSTEM/产品料号编码系统:

NOTE: Pins Description

| Pin No | Signal Name | Mating Sequence | Pin No | Signal Name | Mating Sequence |
|--------|-------------|-----------------|--------|-------------|-----------------|
| A1     | GND         | First           | B12    | GND         | First           |
| A2     | TX1+        | Second          | B11    | RX1+        | Second          |
| A3     | TX1-        | Second          | B10    | RX1-        | Second          |
| A4     | Vbus        | First           | B9     | Vbus        | First           |
| A5     | CC1         | Second          | B8     | SBU2        | Second          |
| A6     | D+          | Second          | B7     | D-          | Second          |
| A7     | D-          | Second          | B6     | D+          | Second          |
| A8     | SBU1        | Second          | B5     | CC2         | Second          |
| A9     | Vbus        | First           | B4     | Vbus        | First           |
| A10    | RX2-        | Second          | B3     | TX2-        | Second          |
| A11    | RX2+        | Second          | B2     | TX2+        | Second          |
| A12    | GND         | First           | B1     | GND         | First           |
| SHELL  |             | GND             | SHELL  |             | GND             |

UTC-X-R-XX-1-1-001-S-X

Auto USB Type-C Series

Code of Outer housing:

A: Code A, color jet black  
B: Code B, color claret violet  
C: Code C, color nut brown  
D: Code D, color leaf green  
E: Code E, color signal blue  
F: Code F, color cream white  
G: Code G, color blue gray  
H: Code H, color yellow green  
J: Code J, color beige  
K: Code K, color curry

R: Receptacle

Packing option:  
R: Reel  
T: Tray

Solder type:  
S: SMT type

Sequence No.: 001 ~ 999

Plating option(Contact area/Solder area):  
1: Au 0.75μm/ Tin 2.54μm min plated  
1: Right angle  
2: Vertical

01: Shell solder tail height 1.99mm



|                                       |          |                     |          |   |
|---------------------------------------|----------|---------------------|----------|---|
| UNLESS OTHERWISE SPECIFIED TOLERANCES |          | APPROVAL            | DATE     | Amphenol<br>Amphenol East Asia Limited  |
| U.S.                                  | METRIC   | DRAWN Young         | 10/15'18 |   |
| .X                                    | +/- 0.50 | CHECKED             |          | TITLE Customer Drawing For HSBridge+<br>USB TYPE-C R/A TAIL DUAL SMT RECEPTACLE |
| .XX                                   | +/- 0.15 | CHECKED             |          |   |
| .XXX                                  | +/- 0.10 | DRAWING FILE :      |          | SIZE DRAWING NO.<br>A3 UTCRXX11001SX  |
| FRACTIONS +/-                         |          | ANGLE OF PROJECTION |          | REV.<br>4   |
| ANGLES +/-                            | 3'       | REMOVE SHARP EDGES  |          | SCALE NONE SHEET 1 OF 1   |
| DIMENSIONS                            |          | U.S. INCHES         |          |   |
|                                       |          | (METRIC) (MM)       |          |   |